

Three Pole Fan Isolators

Standards and approvals

Comply with BS EN 60947: 1992

Technical specification

Electrical

Voltage rating:
250V a.c. 50Hz

Current rating:
10 amps

Terminal capacity:
4 x 1mm²
4 x 1.5mm²
3 x 2.5mm²
2 x 4mm²
1 x 6mm²

Contact gap:
3mm switch contact gap

Classifications

Method of operation: Stored energy operation
Suitability for isolation: Suitable for isolation

Ratings

Utilisation category	AC23B
Rated operational voltage (Ue)	250V
Conventional free air thermal current (Ith)	10A
Rated frequency	50Hz
Rated making capacity	100A rms
Rated breaking capacity	80A rms
Rated conditional short-circuit current	6000A rms
(with supply side protective device GEC NIT 16 BS88: part 2: 1988 16A 550VAC utilisation category gG 80KA breaking capacity fuse links.)	

Physical

Operating temperature:
-5°C to +40°C

IP rating:
IP4X

Max. installation altitude:
2000 metres



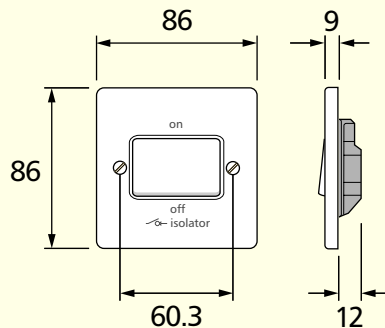
Description

The MK Three Pole Fan Isolator provides a safe and simple method of isolating mechanical fan units and is particularly useful in bathrooms, toilets, storerooms and basements where there is little or no natural light.

For example, timer controlled fans are often linked into the lighting circuit for energy saving and convenience. In such an installation there is often a need for the lighting circuit to remain live to provide light whilst the fan unit is externally isolated so that routine maintenance and repairs can be carried out in complete safety.

The fan isolator can be used as a double pole or triple pole isolator. In addition it includes a clear on/off indicator and the frontplate features a fan isolator symbol for easy circuit identification.

Dimensions (mm)



BOX TYPES

Flush	Surface
3995 ZIC	K2160 WHI

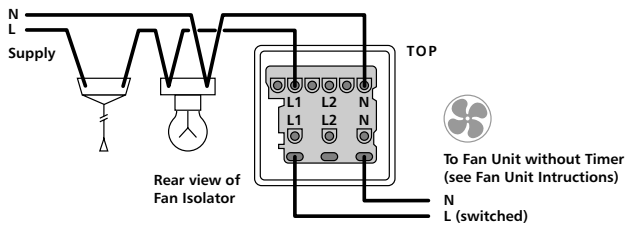
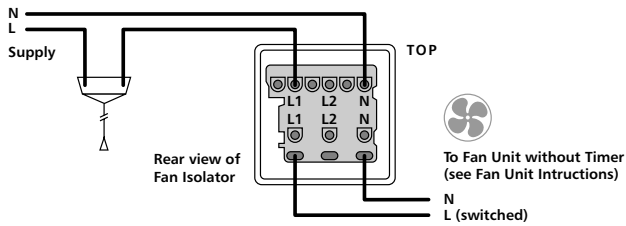
Features

- Switchlock list no. K4858 is available to allow the isolator to be locked in the disconnected position to facilitate fan maintenance

Three Pole Fan Isolators

Wiring diagrams

Two pole switching for fan units without timers



Three pole switching for fan units incorporating timers

