



1.5 Ω On Resistance, ± 15 V / +12 V / ± 5 V, Quad SPST Switches

DESCRIPTION

The DG1411E, DG1412E, DG1413E are ± 15 V precision monolithic quad single-pole single-throw (SPST) CMOS analog switches. Built on a new CMOS process, the Vishay Siliconix DG1411E, DG1412E, and DG1413E offer low on-resistance of 1.5 Ω. The low and flat resistance over the full signal range ensures excellent linearity and low signal distortion. The new CMOS platform provides low power dissipation, minimized parasitic capacitance, and low charge injection.

The devices operate from either a single 4.5 V to 24 V power supply, or from dual ± 4.5 V to ± 15 V power supplies. The analog switches do not require a V_L logic supply, while all digital inputs have 0.8 V and 2 V logic thresholds to ensure low voltage TTL / CMOS compatibility.

The DG1411E, DG1412E, and DG1413E are bi-directional and support analog signals up to the supply voltage when on, and block them when off. The devices each feature four independently selectable SPST switches. The DG1411E is normally closed, while the DG1412E is normally open. The DG1413E has two normally open and two normally closed switches with guaranteed break-before-make operation.

Combined with fast 70 ns switching time, low and flat switch resistance. The devices are ideal for signal switching and relay replacement in data acquisition, industrial control and automation, communication, and A/V systems, in addition to medical instrumentation and automated test equipment.

The switches are available in RoHS-compliant, halogen-free TSSOP16 and QFN16 4 mm by 4 mm packages.

FEATURES

- 35 V supply max. rating
- On-resistance: 1.5 Ω
- On-resistance flatness: 0.2 Ω
- Channel to channel on-resistance match: 0.04 Ω
- Supports single and dual supply operation
- Fully specified at ± 15 V, ± 5 V, and +12 V
- Integrated V_L supply
- 3 V logic compatible
- Low parasitic capacitance: C_{S(OFF)}: 24 pF, C_{D(ON)}: 87 pF
- Rail to rail signal handling
- Material categorization: for definitions of compliance please see www.vishay.com/doc?99912



RoHS COMPLIANT HALOGEN FREE

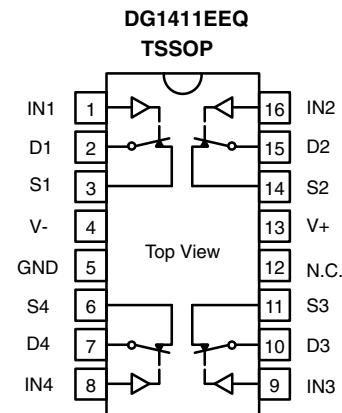
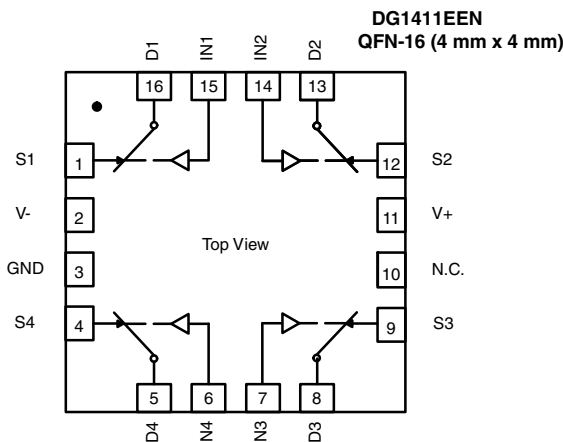
BENEFITS

- Low insertion loss
- Low distortion
- Break-before-make switching
- Low charge injection over the full signal range

APPLICATIONS

- Medical and healthcare equipment
- Data acquisition system
- Industrial control and automation
- Test and measurement equipment
- Communication systems
- Battery powered systems
- Sample and hold circuits
- Audio and video signal switching
- Relay replacement

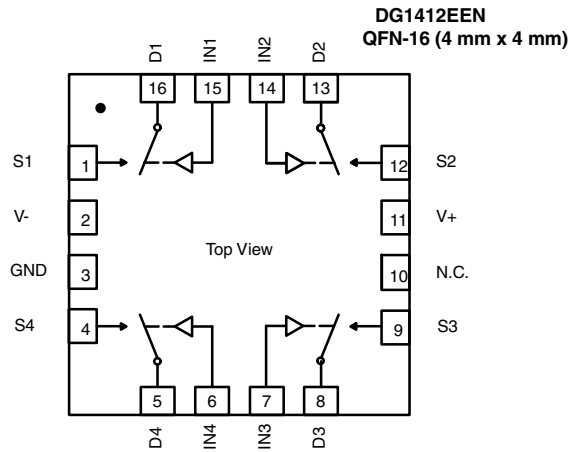
FUNCTIONAL BLOCK DIAGRAM AND PIN CONFIGURATION - DG1411E



| TRUTH TABLE - DG1411E | |
|-----------------------|--------|
| LOGIC | SWITCH |
| 0 | On |
| 1 | Off |

Notes

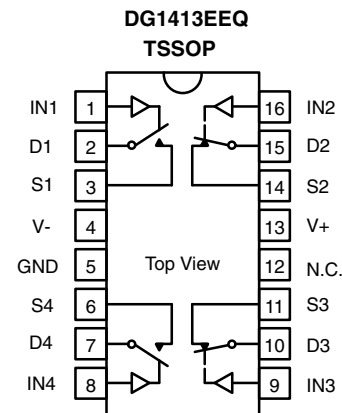
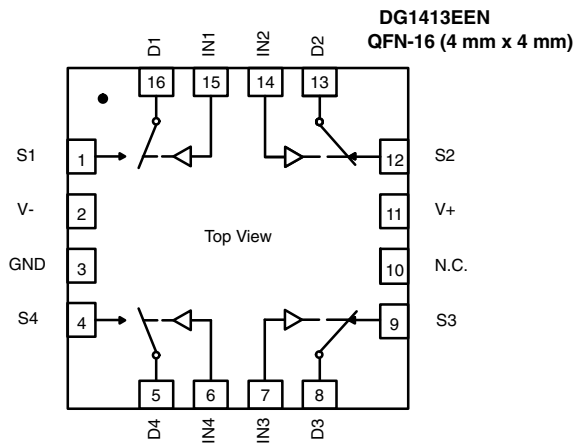
- QFN exposed pad tied to V-
- N.C. = no connect
- Switches shown for logic "0" input

FUNCTIONAL BLOCK DIAGRAM AND PIN CONFIGURATION - DG1412E


| TRUTH TABLE - DG1412E | |
|-----------------------|--------|
| LOGIC | SWITCH |
| 0 | Off |
| 1 | On |

Notes

- QFN exposed pad tied to V-
- N.C. = no connect
- Switches shown for logic "0" input

FUNCTIONAL BLOCK DIAGRAM AND PIN CONFIGURATION - DG1413E


| TRUTH TABLE - DG1413E | | |
|-----------------------|---------------|---------------|
| LOGIC | SWITCHES 1, 4 | SWITCHES 2, 3 |
| 0 | Off | On |
| 1 | On | Off |

Notes

- QFN exposed pad tied to V-
- N.C. = no connect
- Switches shown for logic "0" input



| DEVICE OPTIONS | | | | |
|------------------|---------------|-----------------|-------------------|-------------------------------------|
| PART NUMBER | CONFIGURATION | SWITCH FUNCTION | TEMPERATURE RANGE | PACKAGE |
| DG1411EEN-T1-GE4 | Quad SPST | NC | -40 °C to +125 °C | QFN (4 mm x 4 mm) 16L (variation 2) |
| DG1412EEN-T1-GE4 | Quad SPST | NO | -40 °C to +125 °C | QFN (4 mm x 4 mm) 16L (variation 2) |
| DG1413EEN-T1-GE4 | Quad SPST | NC / NO | -40 °C to +125 °C | QFN (4 mm x 4 mm) 16L (variation 2) |
| DG1411EEQ-T1-GE4 | Quad SPST | NC | -40 °C to +125 °C | TSSOP-16 |
| DG1412EEQ-T1-GE4 | Quad SPST | NO | -40 °C to +125 °C | TSSOP-16 |
| DG1413EEQ-T1-GE4 | Quad SPST | NC / NO | -40 °C to +125 °C | TSSOP-16 |

| ABSOLUTE MAXIMUM RATINGS | | | |
|-------------------------------------|--|--------------------------|------|
| ELECTRICAL PARAMETER | CONDITIONS | LIMITS | UNIT |
| V+ | Reference to GND | -0.3 to +25 | V |
| V- | Reference to GND | +0.3 to -25 | |
| V+ to V- | | +35 | |
| Analog inputs (S or D) | | (V-) - 0.3 to (V+) + 0.3 | |
| Digital inputs | | GND - 0.3 to (V+) + 0.3 | |
| Maximum continuous switch current | TSSOP-16, T _A = 25 °C | 190 | mA |
| | QFN (4 mm x 4 mm) 16L, T _A = 25 °C | 250 | |
| | TSSOP-16, T _A = 125 °C | 90 | |
| | QFN (4 mm x 4 mm) 16L, T _A = 125 °C | 100 | |
| Maximum pulse switch current | Pulse at 1 ms, 10 % duty cycle | 500 | |
| Thermal resistance | TSSOP-16 | 130 | °C/W |
| | QFN (4 mm x 4 mm) 16L | 32 | |
| Temperature | | | |
| Operating temperature | | -40 to +125 | °C |
| Max. operating junction temperature | | 150 | |
| Operating junction temperature | | 125 | |
| Storage temperature | | -65 to +150 | |

Stresses beyond those listed under "Absolute Maximum Ratings" may cause permanent damage to the device. These are stress ratings only, and functional operation of the device at these or any other conditions beyond those indicated in the operational sections of the specifications is not implied. Exposure to absolute maximum rating conditions for extended periods may affect device reliability.



| ELECTRICAL CHARACTERISTICS - ± 15 V supply | | | | | | | |
|--|-------------------------------------|--|----------------------------|---------------------|----------------------|-------------------|------|
| PARAMETER | SYMBOL | TEST CONDITIONS UNLESS OTHERWISE SPECIFIED V+ = 15 V, V- = -15 V VINH = 2 V, VINL = 0.8 V | +25 °C | -40 °C to +85 °C | -40 °C to +125 °C | TYP. / MAX. | UNIT |
| Analog Switch | | | | | | | |
| Analog signal range | V _{ANALOG} | | 0 to V+ | | | - | V |
| Drain-source on-resistance | R _{DS(on)} | V _S = ± 10 V, I _S = -10 mA V+ = 13.5 V, V- = -13.5 V | 1.5 | - | - | Typ. | Ω |
| | | | 1.8 | 2 | 2.3 | Max. | |
| On-resistance flatness | R _{flat(on)} | V _S = ± 10 V, I _S = -10 mA | 0.2 | - | - | - | Ω |
| | | | 0.42 | 0.45 | 0.48 | Max. | |
| On-resistance matching | ΔR _{DS(on)} | | 0.04 | - | - | Typ. | Ω |
| | | | 0.22 | 0.23 | 0.24 | Max. | |
| Switch off leakage current | I _S /I _{d(off)} | V+ = 16.5 V, V- = -16.5 V V _S = ± 10 V, V _D = ± 10 V | ± 0.01 | - | - | Typ. | nA |
| | | | ± 0.5 | ± 2 | ± 12 | Max. | |
| Channel on leakage current | I _{d(on)} | V _S = V _D = ± 10 V | ± 0.05 | - | - | Typ. | nA |
| | | | ± 1 | ± 3 | ± 40 | Max. | |
| Digital Control | | | | | | | |
| Input, high voltage | V _{INH} | | - | - | 2 | V _{min.} | V |
| Input, low voltage | V _{INL} | | - | - | 0.8 | V _{max.} | |
| Input leakage | I _{IN} | V _{IN} = V _{GND} OR V+ | 0.001 | - | - | Typ. | μA |
| | | | - | - | ± 0.1 | Max. | |
| Digital input capacitance | C _{IN} | | 3.5 | - | - | Typ. | pF |
| Dynamic Characteristics | | | | | | | |
| Break-before-make time | t _{OPEN} | V _{S1} = V _{S2} = 10 V R _L = 300 Ω, C _L = 35 pF | 24 | - | - | Typ. | ns |
| | | | - | - | 10 | Min. | |
| Turn-on time | t _{ON} | V _S = 10 V R _L = 300 Ω, C _L = 35 pF | 70 | - | - | Typ. | ns |
| | | | 110 | 130 | 140 | Max. | |
| Turn-off time | t _{OFF} | | 50 | - | - | Typ. | ns |
| | | | 90 | 100 | 110 | Max. | |
| Charge injection | Q _{inj} | C _L = 1 nF, R _{GEN} = 0 Ω, V _S = 0 V | -41 | - | - | Typ. | pC |
| Off isolation | OIRR | C _L = 5 pF, R _L = 50 Ω, 100 kHz | -78 | - | - | Typ. | dB |
| Cross talk | X _{TALK} | C _L = 5 pF, R _L = 50 Ω, 1 MHz | -104 | - | - | Typ. | |
| Insertion loss | | f = 1 MHz, R _L = 50 Ω, C _L = 5 pF | -0.16 | - | - | Typ. | |
| Total harmonic distortion | THD | R _L = 110 Ω, 15 V _{p-p} , f = 20 Hz to 20 kHz | 0.0039 | - | - | Typ. | % |
| Bandwidth, -3 dB | BW | C _L = 5 pF, R _L = 50 Ω | 150 | - | - | Typ. | MHz |
| Source off capacitance | C _{S(off)} | f = 1 MHz, V _S = 0 V | 24 | - | - | Typ. | pF |
| Drain off capacitance | C _{D(off)} | | 23 | - | - | Typ. | |
| Drain on capacitance | C _{D(on)} | | 87 | - | - | Typ. | |
| Power Requirements | | | | | | | |
| Power supply range | | GND = 0 V | ± 4.5 V min. / ± 16.5 max. | | | | V |
| Power supply current | I+ | Digital inputs 0 or V+ V+ = 16.5 V, V- = -16.5 V | 0.001 | - | - | Typ. | μA |
| | | | - | - | 1 | Max. | |
| | I- | Digital inputs 0 or V+ | 113 | - | - | Typ. | |
| | | | - | 260 | 290 | Max. | |



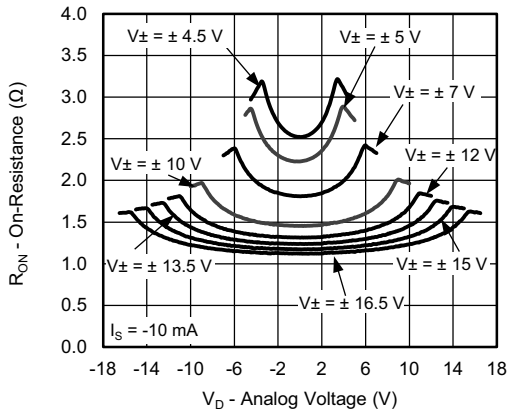
| ELECTRICAL CHARACTERISTICS - Single 12 V supply | | | | | | | |
|---|-------------------------------------|---|--------------------------|---------------------|----------------------|----------------|------|
| PARAMETER | SYMBOL | TEST CONDITIONS UNLESS OTHERWISE SPECIFIED V+ = 12 V, V- = -0 V VINH = 2 V, VINL = 0.8 V | +25 °C | -40 °C to +85 °C | -40 °C to +125 °C | TYP. / MAX. | UNIT |
| Analog Switch | | | | | | | |
| Analog signal range | V _{ANALOG} | | 0 to V+ | | | | V |
| Drain-source on-resistance | R _{DS(on)} | V _S = 0 V to 10 V, I _S = -10 mA; V+ = 10.8 V, V- = 0 V | 2.5 3.1 | - 3.8 | - 4.4 | Typ. Max. | Ω |
| On-resistance flatness | R _{flat(on)} | V _S = 0 V to 10 V; I _S = -10 mA | 0.7 0.9 | - 1 | - 1.1 | Typ. Max. | Ω |
| On-resistance matching | ΔR _{DS(on)} | | 0.04 0.19 | - 0.22 | - 0.25 | Typ. Max. | |
| Switch off leakage current | I _S /I _{d(off)} | V+ = 10.8 V, V- = 0 V V _S = 1 V/10 V; V _D = 10 V/1 V | ± 0.02 ± 0.55 | - ± 1.2 | - ± 10 | Typ. Max. | nA |
| Channel on leakage current | I _{d(on)} | V _S = V _D = 3.2 V/10 V | ± 0.01 ± 1 | - ± 2 | - ± 35 | Typ. Max. | |
| Digital Control | | | | | | | |
| Input, high voltage | V _{INH} | | - | - | 2 | Min. | V |
| Input, low voltage | V _{INL} | | - | - | 0.8 | Max. | |
| Input leakage | I _{IN} | V _{IN} = V _{GND} or V+ | 0.001 - | - - | - ± 0.1 | Typ. Max. | μA |
| Digital input capacitance | C _{IN} | | 3.5 | - | - | Typ. | pF |
| Dynamic Characteristics | | | | | | | |
| Break-before-make time | t _{OPEN} | V _{S1} = V _{S2} = 8 V R _L = 300 Ω, C _L = 35 pF | 90 - | - - | - 50 | Typ. Min. | ns |
| Turn-on time | t _{ON} | V _S = 8 V R _L = 300 Ω, C _L = 35 pF | 150 190 | - 230 | - 260 | Typ. Max. | |
| Turn-off time | t _{OFF} | | 60 100 | - 110 | - 120 | Typ. Max. | |
| Charge injection | Q _{INj} | C _L = 1 nF, R _{GEN} = 0 Ω, V _S = 6 V | 6 | - | - | Typ. | |
| Off isolation | OIRR | R _L = 50 Ω, C _L = 5 pF, 100 kHz | -78 | - | - | Typ. | dB |
| Cross talk | X _{TALK} | R _L = 50 Ω, C _L = 5 pF, 1 MHz | -106 | - | - | Typ. | |
| Insertion loss | | f = 1 MHz, R _L = 50 Ω, C _L = 5 pF | -0.23 | - | - | Typ. | |
| Bandwidth, -3 dB | BW | R _L = 50 Ω, C _L = 5 pF | 150 | - | - | Typ. | MHz |
| Source off capacitance | C _{S(off)} | f = 1 MHz, V _S = 6 V | 31 | - | - | Typ. | pF |
| Drain off capacitance | C _{D(off)} | | 29 | - | - | Typ. | |
| Drain on capacitance | C _{D(on)} | | 93 | - | - | Typ. | |
| Power Requirements | | | | | | | |
| Power supply range | | GND = 0 V, V- = 0 V | ± 5 V min. / ± 16.5 max. | | | | V |
| Power supply current | I+ | Digital inputs 0 or V+ V+ = 13.2 V | 0.001 | - | - | Typ. | μA |
| | | | - | - | 1 | Max. | |
| | | IN1 = IN2 = IN3 = IN4 = 5 V | 54 | - | - | Typ. | |
| | | | - | 150 | 190 | Max. | |



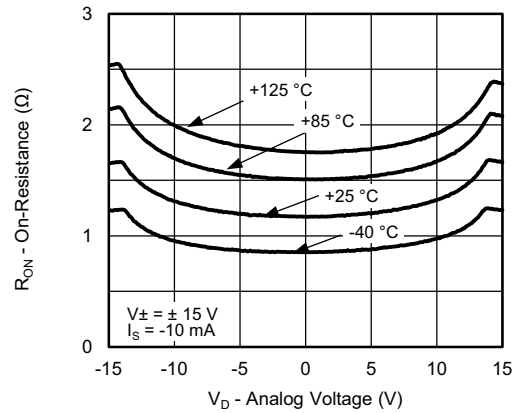
| ELECTRICAL CHARACTERISTICS - ± 5 V supply | | | | | | | |
|---|-------------------------------------|--|----------------------------|---------------------|----------------------|----------------|------|
| PARAMETER | SYMBOL | TEST CONDITIONS UNLESS OTHERWISE SPECIFIED V ₊ = 5 V, V ₋ = -5 V V _{INH} = 2 V, V _{INL} = 0.8 V | +25 °C | -40 °C to +85 °C | -40 °C to +125 °C | TYP. / MAX. | UNIT |
| Analog Switch | | | | | | | |
| Analog signal range | V _{ANALOG} | | 0 to V ₊ | | | | V |
| Drain-source on-resistance | R _{DS(on)} | V _S = ± 4.5 V, I _S = -10 mA V ₊ = 4.5 V, V ₋ = -4.5 V | 3 | - | - | Typ. | Ω |
| | | | 3.3 | 4 | 4.7 | Max. | |
| On-resistance flatness | R _{flat(on)} | V _S = ± 4.5 V, I _S = -10 mA | 0.7 | - | - | Typ. | |
| | | | 0.9 | 1 | 1.1 | Max. | |
| On-resistance matching | ΔR _{DS(on)} | | 0.04 | - | - | Typ. | |
| | | | 0.19 | 0.22 | 0.25 | Max. | |
| Switch off leakage current | I _S /I _{d(off)} | V ₊ = 5.5 V, V ₋ = -5.5 V V _S = ± 4.5 V, V _D = ∓ 4.5 V | ± 0.004 | - | - | Typ. | nA |
| | | | ± 0.5 | ± 1.5 | ± 10 | Max. | |
| Channel on leakage current | I _{d(on)} | V _S = V _D = ± 4.5 V | ± 0.003 | - | - | Typ. | |
| | | | ± 0.5 | ± 2 | ± 35 | Max. | |
| Digital Control | | | | | | | |
| Input, high voltage | V _{INH} | | - | - | 2 | Min. | V |
| Input, low voltage | V _{INL} | | - | - | 0.8 | Max. | |
| Input leakage | I _{IN} | V _{IN} = V _{GND} or V ₊ | 0.001 | - | - | Typ. | μA |
| | | | - | - | ± 0.1 | Max. | |
| Digital input capacitance | C _{IN} | | 3.5 | - | - | Typ. | pF |
| Dynamic Characteristics | | | | | | | |
| Break-before-make time | t _{OPEN} | V _{S1} = V _{S2} = 3 V R _L = 300 Ω, C _L = 35 pF | 110 | - | - | Typ. | ns |
| | | | - | - | 65 | Min. | |
| Turn-on time | t _{ON} | V _S = 3 V R _L = 300 Ω, C _L = 35 pF | 280 | - | - | Typ. | |
| | | | 330 | 400 | 440 | Max. | |
| Turn-off time | t _{OFF} | | 180 | - | - | Typ. | |
| | | | 220 | 260 | 280 | Max. | |
| Charge injection | Q _{INj} | C _L = 1 nF, R _{GEN} = 0 Ω, V _S = 0 V | 7 | - | - | Typ. | pC |
| Off isolation | OIRR | R _L = 50 Ω, C _L = 5 pF, 100 kHz | -78 | - | - | Typ. | dB |
| Cross talk | X _{TALK} | R _L = 50 Ω, C _L = 5 pF, 1 MHz | -106 | - | - | Typ. | |
| Insertion loss | | f = 1 MHz, R _L = 50 Ω, C _L = 5 pF | -0.26 | - | - | Typ. | % |
| Bandwidth, -3 dB | BW | R _L = 50 Ω, C _L = 5 pF | 160 | - | - | Typ. | MHz |
| Source off capacitance | C _{S(off)} | f = 1 MHz, V _S = 0 V | 34 | - | - | Typ. | pF |
| Drain off capacitance | C _{D(off)} | | 31 | - | - | Typ. | |
| Drain on capacitance | C _{D(on)} | | 94 | - | - | Typ. | |
| Power Requirements | | | | | | | |
| Power supply range | | GND = 0 V | ± 4.5 V min. / ± 16.5 max. | | | | V |
| Power supply current | I ₊ | Digital inputs 0 V or V ₊ V ₊ = 5.5 V, V ₋ = -5.5 V | 0.001 | - | - | Typ. | μA |
| | | | - | - | 1 | Max. | |
| | I ₋ | Digital inputs = 0 V or V ₊ | 0.001 | - | - | Typ. | |
| | | | - | - | 1 | Max. | |



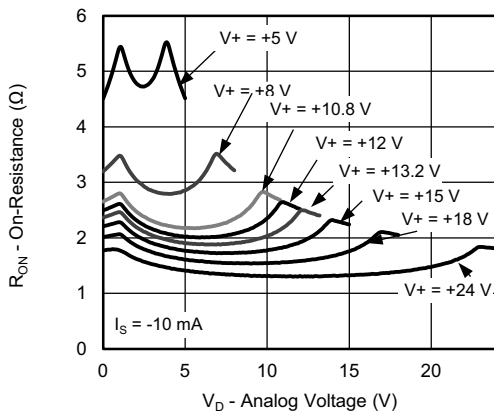
TYPICAL CHARACTERISTICS (T_A = 25 °C, unless otherwise noted)



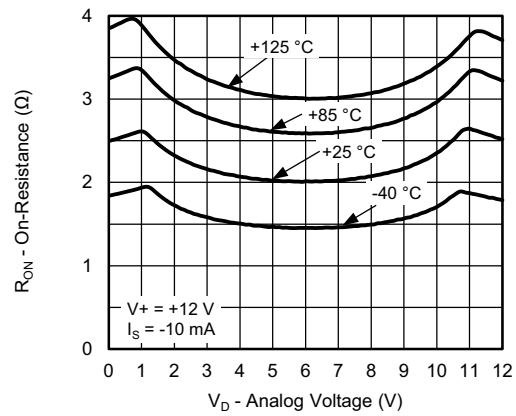
On-Resistance vs. Analog Voltage



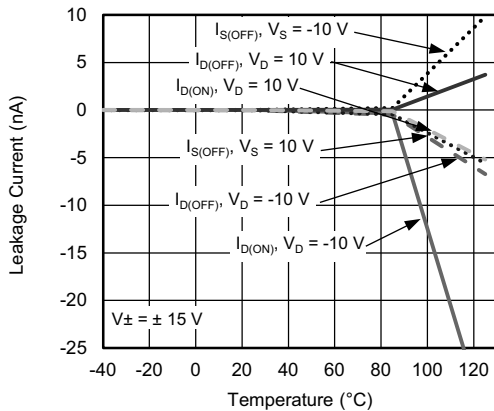
On-Resistance vs. Temperature



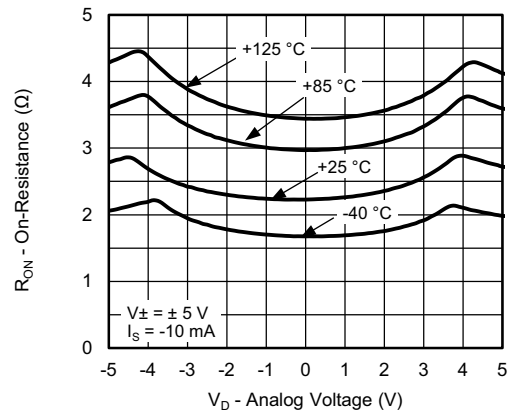
On-Resistance vs. Analog Voltage



On-Resistance vs. Temperature

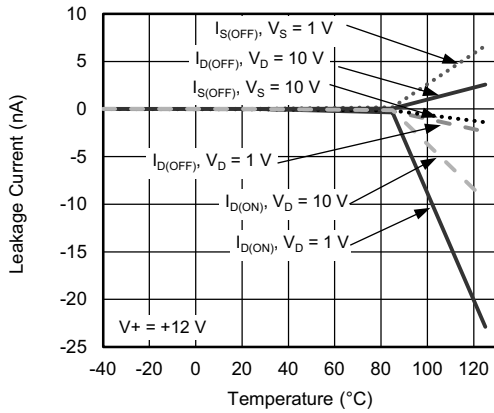


Leakage Current vs. Temperature

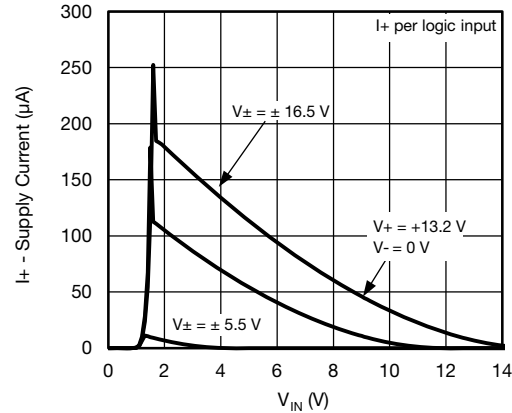


On-Resistance vs. Temperature

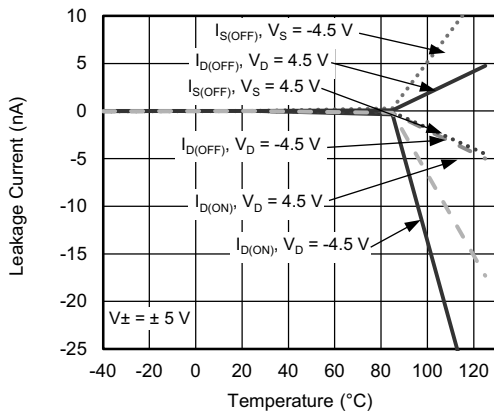
TYPICAL CHARACTERISTICS ($T_A = 25^\circ\text{C}$, unless otherwise noted)



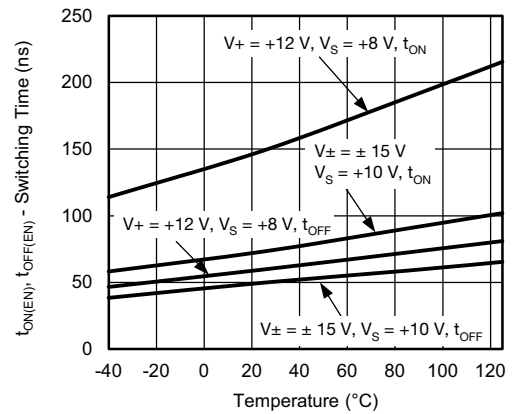
Leakage Current vs. Temperature



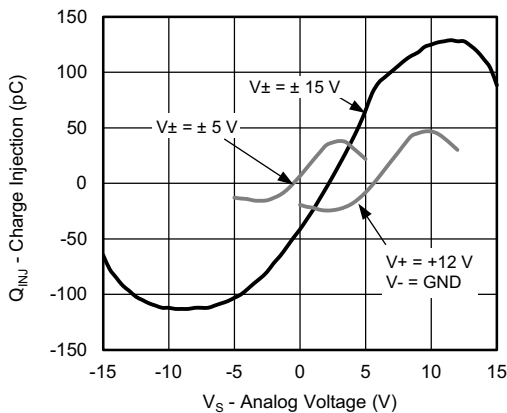
I+ - Supply Current vs. Logic Level



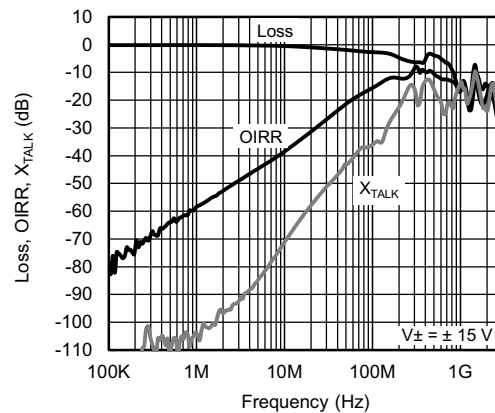
Leakage Current vs. Temperature



Switching Time vs. Temperature



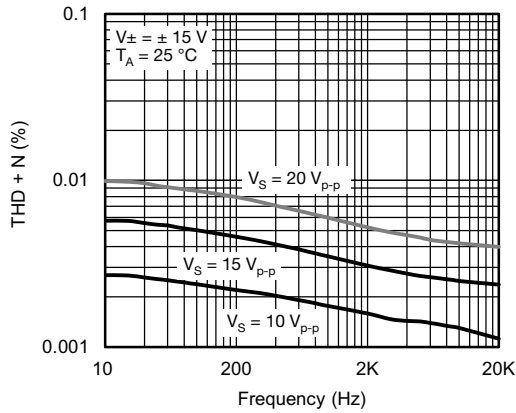
Charge Injection vs. Analog Voltage



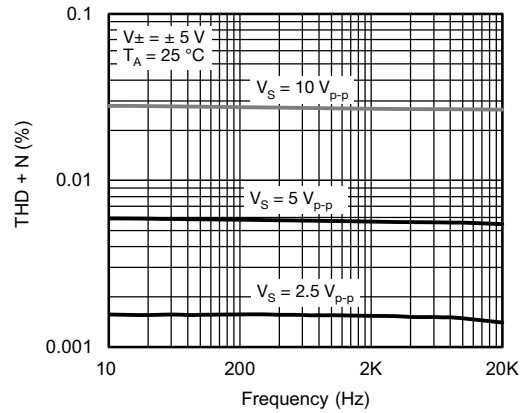
BW, OIRR, X_{TALK} vs. Frequency



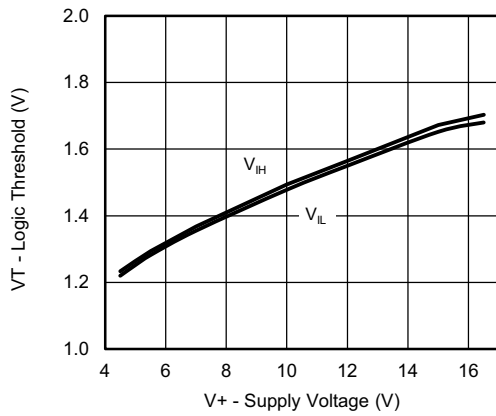
TYPICAL CHARACTERISTICS ($T_A = 25\text{ }^\circ\text{C}$, unless otherwise noted)



THD + N vs. Frequency

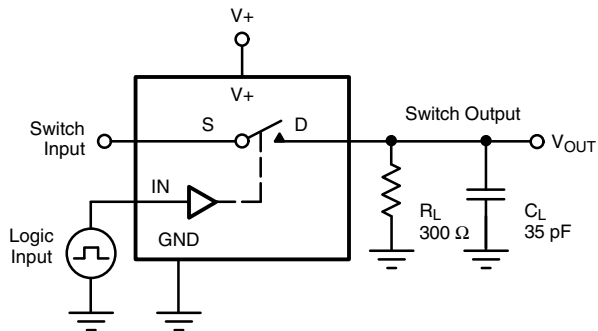


THD + N vs. Frequency



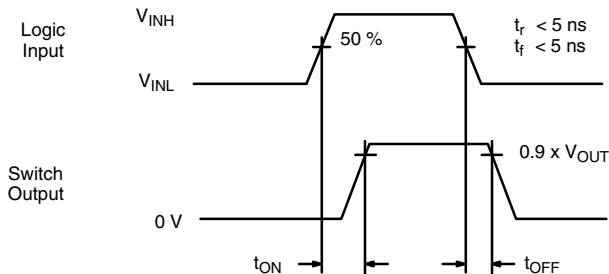
Logic Threshold vs. Supply Voltage

TEST CIRCUITS



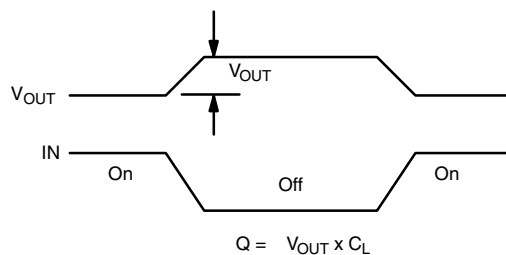
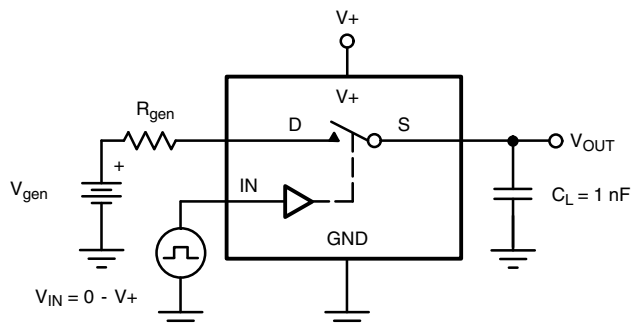
C_L (includes fixture and stray capacitance)

$$V_{OUT} = V_D \left(\frac{R_L}{R_L + R_{ON}} \right)$$



Logic "1" = Switch On
Logic input waveforms inverted for switches that have the opposite logic sense.

Fig. 1 - Switching Time



IN depends on switch configuration: input polarity determined by sense of switch.

Fig. 2 - Charge Injection

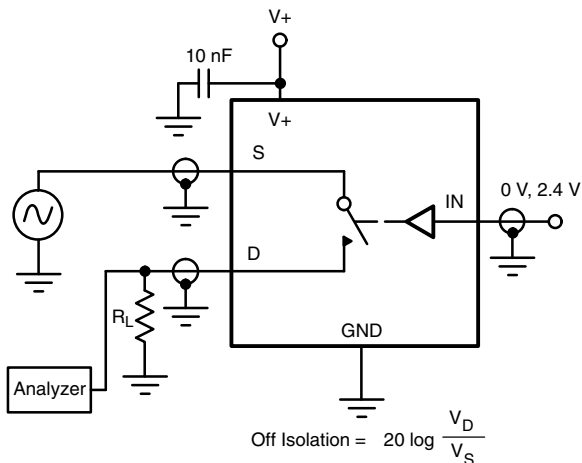


Fig. 3 - Off-Isolation

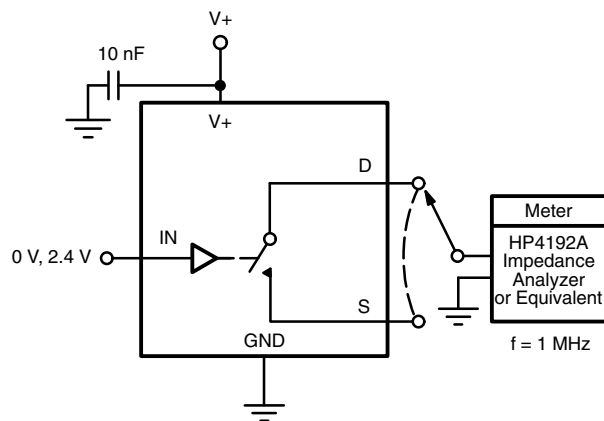


Fig. 4 - Channel Off/On Capacitance

Vishay Siliconix maintains worldwide manufacturing capability. Products may be manufactured at one of several qualified locations. Reliability data for Silicon Technology and Package Reliability represent a composite of all qualified locations. For related documents such as package/tape drawings, part marking, and reliability data, see www.vishay.com/ppg?75104.

QFN 4x4-16L Case Outline



| DIM | VARIATION 1 | | | | | | VARIATION 2 | | | | | |
|-------------------|----------------------------|------|------|------------|-------|-------|----------------------------|------|------|------------|-------|-------|
| | MILLIMETERS ⁽¹⁾ | | | INCHES | | | MILLIMETERS ⁽¹⁾ | | | INCHES | | |
| | MIN. | NOM. | MAX. | MIN. | NOM. | MAX. | MIN. | NOM. | MAX. | MIN. | NOM. | MAX. |
| A | 0.75 | 0.85 | 0.95 | 0.029 | 0.033 | 0.037 | 0.75 | 0.85 | 0.95 | 0.029 | 0.033 | 0.037 |
| A1 | 0 | - | 0.05 | 0 | - | 0.002 | 0 | - | 0.05 | 0 | - | 0.002 |
| A3 | 0.20 ref. | | | 0.008 ref. | | | 0.20 ref. | | | 0.008 ref. | | |
| b | 0.25 | 0.30 | 0.35 | 0.010 | 0.012 | 0.014 | 0.25 | 0.30 | 0.35 | 0.010 | 0.012 | 0.014 |
| D | 4.00 BSC | | | 0.157 BSC | | | 4.00 BSC | | | 0.157 BSC | | |
| D2 | 2.0 | 2.1 | 2.2 | 0.079 | 0.083 | 0.087 | 2.5 | 2.6 | 2.7 | 0.098 | 0.102 | 0.106 |
| e | 0.65 BSC | | | 0.026 BSC | | | 0.65 BSC | | | 0.026 BSC | | |
| E | 4.00 BSC | | | 0.157 BSC | | | 4.00 BSC | | | 0.157 BSC | | |
| E2 | 2.0 | 2.1 | 2.2 | 0.079 | 0.083 | 0.087 | 2.5 | 2.6 | 2.7 | 0.098 | 0.102 | 0.106 |
| K | 0.20 min. | | | 0.008 min. | | | 0.20 min. | | | 0.008 min. | | |
| L | 0.5 | 0.6 | 0.7 | 0.020 | 0.024 | 0.028 | 0.3 | 0.4 | 0.5 | 0.012 | 0.016 | 0.020 |
| N ⁽³⁾ | 16 | | | 16 | | | 16 | | | 16 | | |
| Nd ⁽³⁾ | 4 | | | 4 | | | 4 | | | 4 | | |
| Ne ⁽³⁾ | 4 | | | 4 | | | 4 | | | 4 | | |

Notes

- (1) Use millimeters as the primary measurement.
- (2) Dimensioning and tolerances conform to ASME Y14.5M. - 1994.
- (3) N is the number of terminals. Nd and Ne is the number of terminals in each D and E site respectively.
- (4) Dimensions b applies to plated terminal and is measured between 0.15 mm and 0.30 mm from terminal tip.
- (5) The pin 1 identifier must be existed on the top surface of the package by using identification mark or other feature of package body.
- (6) Package warpage max. 0.05 mm.

ECN: S13-0893-Rev. B, 22-Apr-13
 DWG: 5890

TSSOP: 16-LEAD



| Symbols | DIMENSIONS IN MILLIMETERS | | |
|---------|---------------------------|-------|------|
| | Min | Nom | Max |
| A | - | 1.10 | 1.20 |
| A1 | 0.05 | 0.10 | 0.15 |
| A2 | - | 1.00 | 1.05 |
| B | 0.22 | 0.28 | 0.38 |
| C | - | 0.127 | - |
| D | 4.90 | 5.00 | 5.10 |
| E | 6.10 | 6.40 | 6.70 |
| E1 | 4.30 | 4.40 | 4.50 |
| e | - | 0.65 | - |
| L | 0.50 | 0.60 | 0.70 |
| L1 | 0.90 | 1.00 | 1.10 |
| y | - | - | 0.10 |
| θ1 | 0° | 3° | 6° |

ECN: S-61920-Rev. D, 23-Oct-06
DWG: 5624



RECOMMENDED MINIMUM PAD FOR TSSOP-16



Recommended Minimum Pads
Dimensions in inches (mm)



Disclaimer

ALL PRODUCT, PRODUCT SPECIFICATIONS AND DATA ARE SUBJECT TO CHANGE WITHOUT NOTICE TO IMPROVE RELIABILITY, FUNCTION OR DESIGN OR OTHERWISE.

Vishay Intertechnology, Inc., its affiliates, agents, and employees, and all persons acting on its or their behalf (collectively, "Vishay"), disclaim any and all liability for any errors, inaccuracies or incompleteness contained in any datasheet or in any other disclosure relating to any product.

Vishay makes no warranty, representation or guarantee regarding the suitability of the products for any particular purpose or the continuing production of any product. To the maximum extent permitted by applicable law, Vishay disclaims (i) any and all liability arising out of the application or use of any product, (ii) any and all liability, including without limitation special, consequential or incidental damages, and (iii) any and all implied warranties, including warranties of fitness for particular purpose, non-infringement and merchantability.

Statements regarding the suitability of products for certain types of applications are based on Vishay's knowledge of typical requirements that are often placed on Vishay products in generic applications. Such statements are not binding statements about the suitability of products for a particular application. It is the customer's responsibility to validate that a particular product with the properties described in the product specification is suitable for use in a particular application. Parameters provided in datasheets and / or specifications may vary in different applications and performance may vary over time. All operating parameters, including typical parameters, must be validated for each customer application by the customer's technical experts. Product specifications do not expand or otherwise modify Vishay's terms and conditions of purchase, including but not limited to the warranty expressed therein.

Except as expressly indicated in writing, Vishay products are not designed for use in medical, life-saving, or life-sustaining applications or for any other application in which the failure of the Vishay product could result in personal injury or death. Customers using or selling Vishay products not expressly indicated for use in such applications do so at their own risk. Please contact authorized Vishay personnel to obtain written terms and conditions regarding products designed for such applications.

No license, express or implied, by estoppel or otherwise, to any intellectual property rights is granted by this document or by any conduct of Vishay. Product names and markings noted herein may be trademarks of their respective owners.