

Specification Status: Released

Max Electrical Rating at 25°C

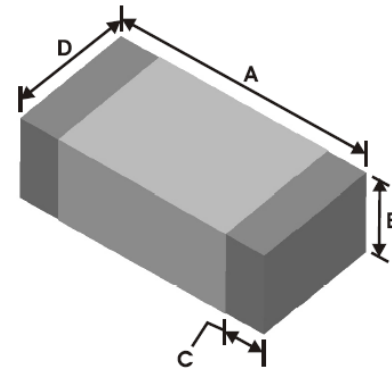
Max Voltage: 24V_{DC}

Max Interrupt Current:

10A-20A 100A at rated voltage

25A 250A at rated voltage

30A 300A at rated voltage



Operating temperature range: -55°C to 150°C
(with de-rating)

Termination Material: Silver, Nickel, Tin

Fuse Element: Silver

Body Material: Glass Ceramic

Clear Time Characteristics

% of current rating	Clear time at 25°C
100%	4 hours min.
250%(10~20A)	5 seconds max.
350% (25~30A)	5 seconds max.

Dimensions

	A		B		C		D	
	MIN	MAX	MIN	MAX	MIN	MAX	MIN	MAX
mm:	3.00	3.40	0.77	1.17	0.26	0.76	1.40	1.80
in:	(0.118)	(0.134)	(0.030)	(0.046)	(0.010)	(0.030)	(0.055)	(0.071)

Part Number	Current Rating (A)	Voltage Rating (VDC)	Nominal Cold DCR (Ω)*
1206SFH100F/24	10	24	0.010
1206SFH120F/24	12	24	0.008
1206SFH150F/24	15	24	0.005
1206SFH200F/24	20	24	0.003
1206SFH250F/24	25	24	0.0016
1206SFH300F/24	30	24	0.0012

* Measured at 10% of rated current and 25°C

Agency Recognition:

UL E197536

Precedence:

This specification takes precedence over documents referenced herein.

Effectivity:

Reference documents shall be the issue in effect on the date of invitation for bid.

Materials Information

ROHS Compliant

Directive 2002/95/EC
Compliant

ELV Compliant

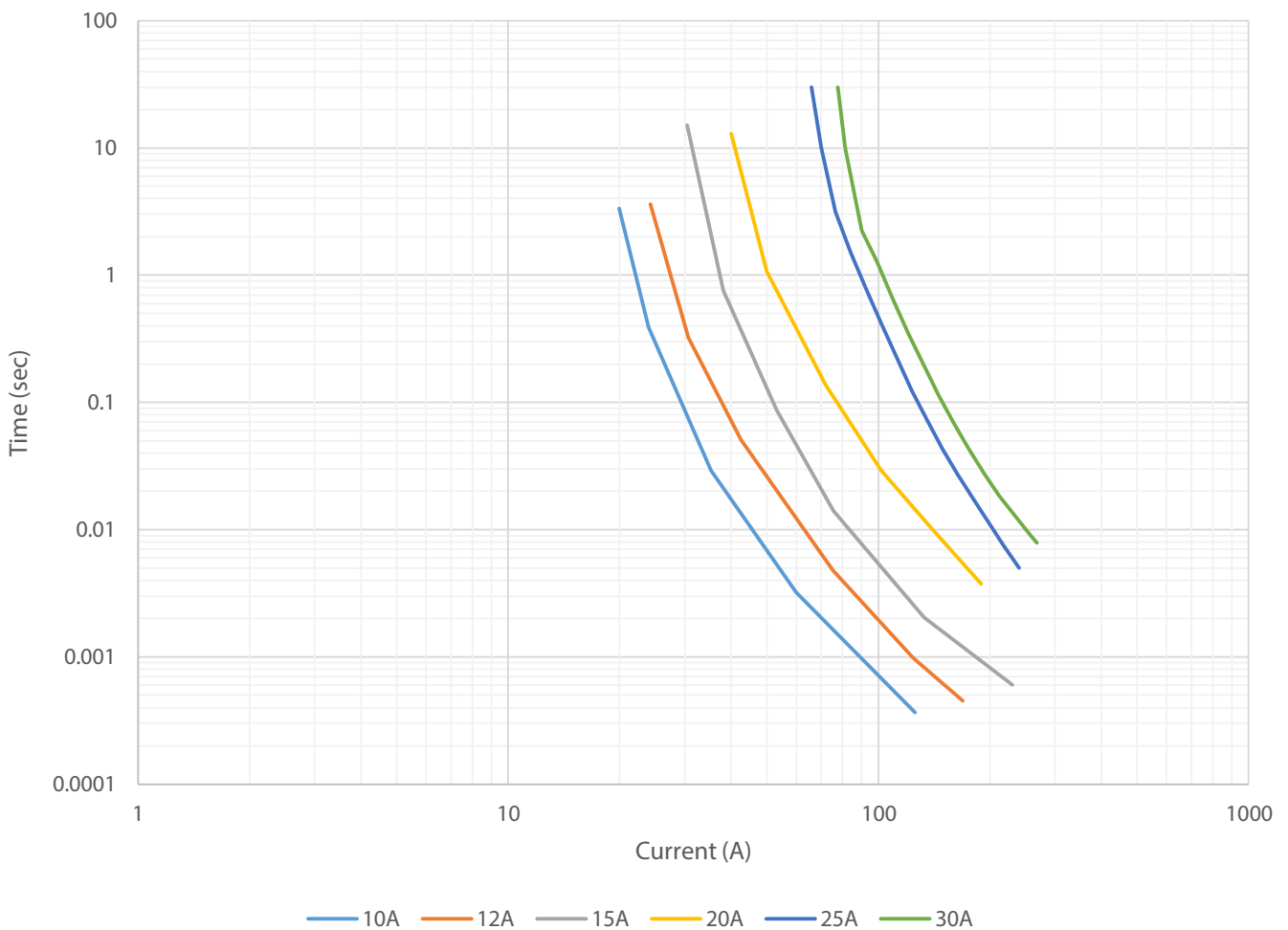
Directive 2000/53/EC
Compliant

Halogen Free*

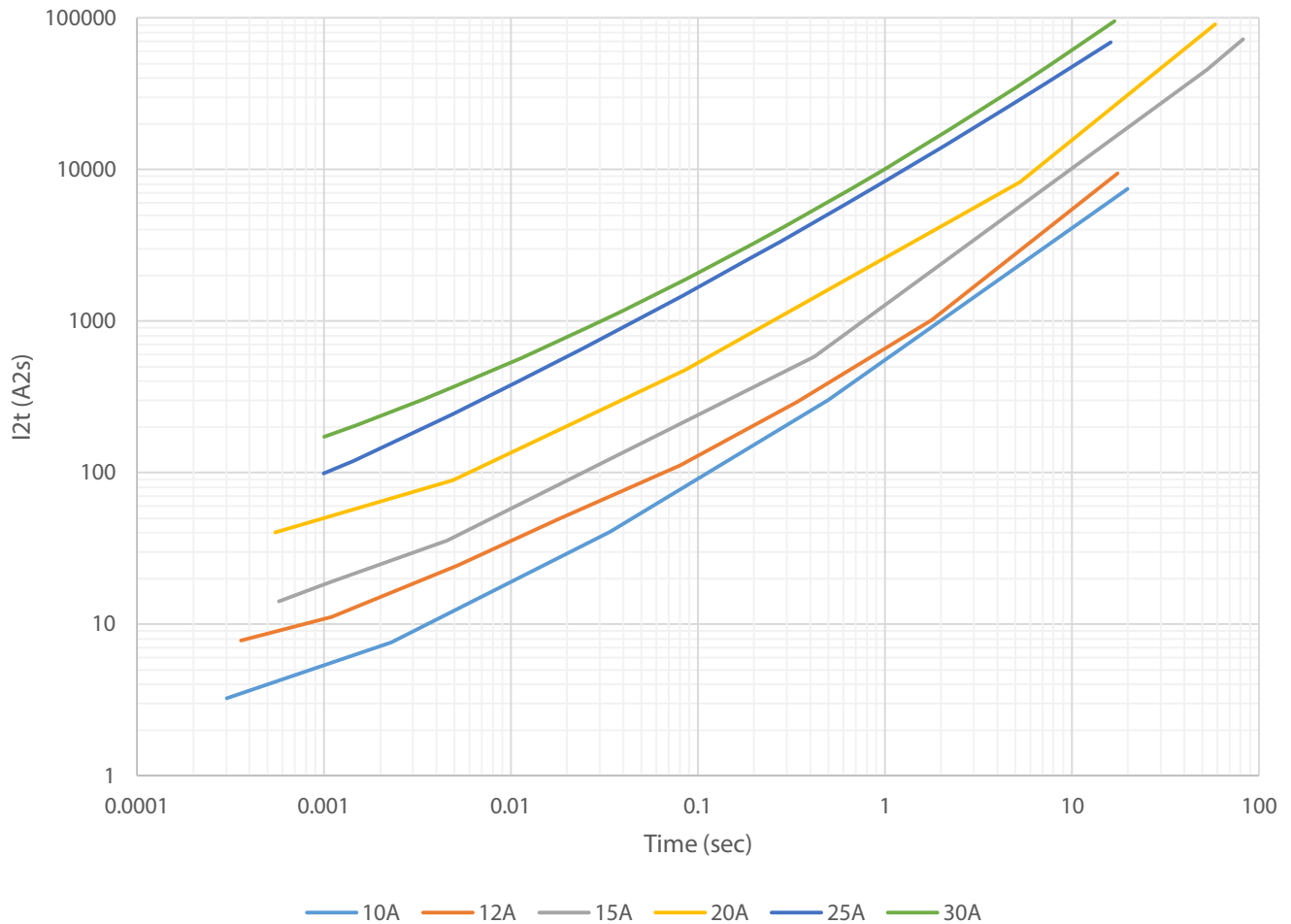


* Halogen Free refers to: Br≤900ppm, Cl≤900ppm, Br+Cl≤1500ppm

Average Clear Time Curves



Nominal I^2t vs t Curves



Littelfuse products are not designed for, and shall not be used for, any purpose (including, without limitation, automotive, military, aerospace, medical, life-saving, life-sustaining, nuclear facility applications, devices intended for surgical implant into the body, or any other application in which the failure or lack of desired operation of the product may result in personal injury, death, or property damage) other than those expressly set forth in applicable Littelfuse product documentation. Warranties granted by Littelfuse shall be deemed void for products used for any purpose not expressly set forth in applicable Littelfuse documentation. Littelfuse shall not be liable for any claims or damages arising out of products used in applications not expressly intended by Littelfuse as set forth in applicable Littelfuse documentation. The sale and use of Littelfuse products is subject to Littelfuse Terms and Conditions of Sale, unless otherwise agreed by Littelfuse.