

Issue No. F1-122-T-001-1

To: DISTRIBUTION

4th, Sep, 2017

TDK Corporation

Communication Devices Business Group  
QA Manager

Koichi Saito

Mobile RF Components Division Head

Hironori Sakaki

Notice of Process Change

We will apply process change as follows :  
Please review, and reply with instructions regarding this application by filling out the ANSWER SHEET below.

Name of change	Change of carrier tape material		
Customer Part #	See attachment-1	TDK Part #	See attachment-1
Before	After	Remark	
Flat type Material = pulp Color = white	→ Emboss type Material = plastic Color = black	Please refer to the attachment-2 and the attachment-3	

**Purpose**

Currently, pulp is used as a material of carrier tape for 1005 & 1608 sized products. In order to avoid any pulp material particle, we would like to change the material of carrier tape from pulp to plastic. This change can achieve more reliable taping quality.

**Applicable Product Line-up** Please refer to attachment-1 about each applicable P/N

- DEA10 / 16 Series
- DPX10 / 16 series
- HHM17 / 19 / 22 series
- ANT016 series

We appreciate your understanding and cooperation for our request in advance. If there is no response from you until Feb/1st, we recognize that Process Change Notice was accepted.

Schedule : Running change from 15th Jan, 2018	Request reply : By 29th Dec,2017	Attachment : <input checked="" type="radio"/> Yes . No
---	----------------------------------	--

To : TDK Corporation Communication Devices Business Group	<b>ANSWER SHEET</b>	Responsible person : Person in charge : Section :
Date :     /     /		
Approval  <u>Implementation: <input type="checkbox"/> Yes <input type="checkbox"/> No</u>	Condition for approval	

List of the Applicable Part No. for PCN "Change of Carrier Tape Material"

Customer part No.	TDK part No.
ANT016008LCD1575MA1	ANT016008LCD1575MA1
ANT016008LCD2442MA1	ANT016008LCD2442MA1
ANT016008LCS2442MA1	ANT016008LCS2442MA1
ANT016008LCS2442MA2	ANT016008LCS2442MA2
DEA100894LT-6319A3	DEA100894LT-6319A3
DEA100915LT-6319A1	DEA100915LT-6319A1
DEA101910DT-6004A1	DEA101910DT-6004A1
DEA101910DT-6005A2	DEA101910DT-6005A2
DEA101910DT-6016A1	DEA101910DT-6016A1
DEA101910DT-6017A1	DEA101910DT-6017A1
DEA101990LT-6302B1	DEA101990LT-6302B1
DEA102025LT-6313A1	DEA102025LT-6313A1
DEA102450BT-1278A2	DEA102450BT-1278A2
DEA102500LT-6307A1	DEA102500LT-6307A1
DEA102500LT-6307A2	DEA102700LT-6307A2
DEA102500LT-9052A1	DEA102500LT-9052A1
DEA105150HT-8044A1	DEA105150HT-8044A1
DEA105425BT-1293A1	DEA105425BT-1293A1
DEA160770LT-5018A1	DEA160770LT-5018A1
DEA160787LT-5032A1	DEA160787LT-5032A1

List of the Applicable Part No. for PCN "Change of Carrier Tape Material"

Customer part No.	TDK part No.
DEA160787LT-5049A1	DEA160787LT-5049A1
DEA160915LT-1160	DEA160915LT-1160
DEA160915LT-1169	DEA160915LT-1169
DEA160960LT-1169AA	DEA160960LT-1169AA
DEA160960LT-5044C1	DEA160960LT-5044C1
DEA161910LT-5003C1	DEA161910LT-5003C1
DEA161990LT-1182	DEA161990LT-1182
DEA161990LT-1182A8	DEA161990LT-1182A8
DEA162025LT-5003C3	DEA162025LT-5003C3
DEA162025LT-5046B1	DEA162025LT-5046B1
DEA162400HT-8004B1	DEA162400HT-8004B1
DEA162441BT-7176A1	DEA162441BT-7176A1
DEA162450BT-1210A1	DEA162450BT-1210A1
DEA162450BT-1241A1	DEA162450BT-1241A1
DEA162450BT-1247B1	DEA162450BT-1247B1
DEA162450BT-1247C1	DEA162450BT-1247C1
DEA162450BT-1260B2	DEA162450BT-1260B2
DEA162450BT-1260B3	DEA162450BT-1260B3
DEA162450BT-1262B1	DEA162450BT-1262B1
DEA162450BT-1271A3	DEA162450BT-1271A3

List of the Applicable Part No. for PCN "Change of Carrier Tape Material"

Customer part No.	TDK part No.
DEA162450BT-1288B1	DEA162450BT-1288B1BR
DEA162450BT-1289A3	DEA162450BT-1289A3
DEA162450BT-1298A1	DEA162450BT-1298A1
DEA162450BT-2092A1-H	DEA162450BT-2092A1-H
DEA162450BT-2096A1-H	DEA162450BT-2096A1-H
DEA162450BT-2139A1	DEA162450BT-2139A1
DEA162450BT-2169A4	DEA162450BT-2169A4
DEA162450BT-2174A1	DEA162450BT-2174A1
DEA162450BT-2180A1	DEA162450BT-2180A1
DEA162450BT-2181D1	DEA162450BT-2181D1
DEA162450BT-7219A1	DEA162450BT-7219A1
DEA162500LT-1212A1	DEA162500LT-1212A1
DEA162500LT-1217A1	DEA162500LT-1217A1
DEA162600BT-1258C2	DEA162600BT-1258C2
DEA162690LT-1217A2	DEA162690LT-1217A2
DEA162690LT-5051B1	DEA162690LT-5051B1
DEA162700LT-5014A1	DEA162700LT-5014A1
DEA163800LT-5017C1	DEA163800LT-5017C1
DEA165150HT-8025C2	DEA165150HT-8025C2
DEA165363BT-2124A3	DEA165363BT-2124A3

List of the Applicable Part No. for PCN "Change of Carrier Tape Material"

Customer part No.	TDK part No.
DEA165375BT-2122A1	DEA165375BT-2122A1
DEA165850LT-1197B2	DEA165850LT-1197B2
DPX105850DT-6019A1	DPX105850DT-6019A1
DPX105950DT-6012A1	DPX105950DT-6012A1
DPX161576DT-8011B1	DPX161576DT-8011B1
DPX162170DT-8022B1	DPX162170DT-8022B1
DPX162170DT-8039A2	DPX162170DT-8039A2
DPX162170DT-8122B1	DPX162170DT-8122B1
DPX162500DT-8014A1	DPX162500DT-8014A1
DPX162500DT-8028A1	DPX162500DT-8028A1
DPX162500DT-8128A1	DPX162500DT-8128A1
DPX162690DT-8022B2	DPX162690DT-8022B2
DPX165850DT-8017A1	DPX165850DT-8017A1
DPX165850DT-8032A1	DPX165850DT-8032A1
DPX165850DT-8033B1	DPX165850DT-8033B1
DPX165850DT-8117A1	DPX165850DT-8117A1
DPX165900DT-8025A1	DPX165900DT-8025A1
DPX165900DT-8125A1	DPX165900DT-8125A1
DPX165950DT-8018A1	DPX165950DT-8018A1
DPX165950DT-8026A1	DPX165950DT-8026A1

List of the Applicable Part No. for PCN "Change of Carrier Tape Material"

Customer part No.	TDK part No.
DPX165950DT-8030A1	DPX165950DT-8030A1
DPX165950DT-8030D1	DPX165950DT-8030D1
DPX165950DT-8045A1	DPX165950DT-8045A1
DPX165950DT-8048A1	DPX165950DT-8048A1
DPX165950DT-8060A1	DPX165950DT-8060A1
DPX165950DT-8118A1	DPX165950DT-8118A1
DPX165950DT-8126A1	DPX165950DT-8126A1
DPX165950DT-8130A1	DPX165950DT-8130A1
DPX165950DT-8144A1	DPX165950DT-8144A1
DPX165950DT-8148A1	DPX165950DT-8148A1
HHM-1710D1	HHM1710D1
HHM-1711D1	HHM1711D1
HHM-1732B1	HHM1732B1
HHM-1752A2	HHM1752A2
HHM1704A2	HHM1704A2
HHM1710D1	HHM1710D1
HHM1710J1	HHM1710J1
HHM1711D1	HHM1711D1
HHM1711E1	HHM1711E1
HHM1711Q1	HHM1711Q1

Attachment 1

List of the Applicable Part No. for PCN "Change of Carrier Tape Material"

List of the Applicable Part No. for PCN "Change of Carrier Tape Material"

Customer part No.	TDK part No.
HHM17125D1	HHM17125D1
HHM17139B1	HHM17139B1
HHM17139B2	HHM17139B2
HHM1713E2	HHM1713E2
HHM17144A1	HHM17144A1
HHM17146A1	HHM17146A1
HHM17147A1	HHM17147A1
HHM17152A1	HHM17152A1
HHM17153A2	HHM17153A2
HHM1715E1	HHM1715E1
HHM1726N1	HHM1726N1
HHM1726P1	HHM1726P1
HHM1731F1	HHM1731F1
HHM1732B1	HHM1732B1
HHM1733B1	HHM1733B1
HHM1749H1	HHM1749H1
HHM1749K1	HHM1749K1
HHM1749S1	HHM1749S1
HHM1752A2	HHM1752A2
HHM1776B2	HHM1776B2

Attachment 1

List of the Applicable Part No. for PCN "Change of Carrier Tape Material"

Customer part No.	TDK part No.
HHM1776B3	HHM1776B3
HHM1779B1	HHM1779B1
HHM1791A1	HHM1791A1
HHM1902A1	HHM1902A1
HHM1902B1	HHM1902B1
HHM1903A1	HHM1903A1
HHM1904A1	HHM1904A1
HHM1904C1	HHM1904C1
HHM1906A1	HHM1906A1
HHM1907B1	HHM1907B1
HHM1908A1	HHM1908A1
HHM1908A2	HHM1908A2
HHM1927A4	HHM1927A4
HHM1942A3	HHM1942A3
HHM1946A1	HHM1946A1
HHM2202SA2	HHM2202SA2
HHM2204SA1	HHM2204SA1
HHM22106C1	HHM22106C1
HHM22137A2	HHM22137A2
HHM2215SA5	HHM2215SA5

Attachment 1

List of the Applicable Part No. for PCN "Change of Carrier Tape Material"

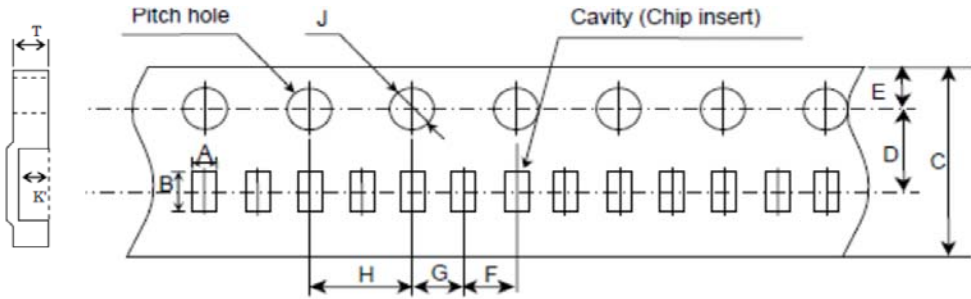
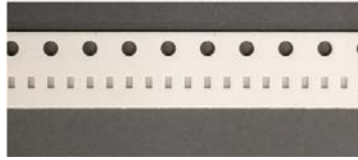


Customer part No.	TDK part No.
HHM2220SA3	HHM2220SA3

**Carrie Tape Dimension for Size : 1.0 x 0.5 mm**

**Current**

**Flat type**

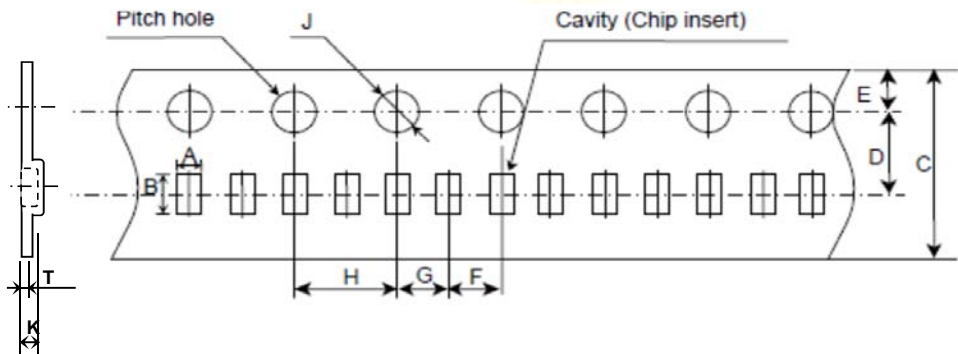


(Unit : mm)

Symbol	A	B	C	D	E	F
Dimension	0.62 ± 0.03	1.12 ± 0.03	8.0 ± 0.2	3.5 ± 0.05	1.75 ± 0.05	2.0 ± 0.05
Symbol	G	H	J	K	T	
Dimension	2.0 ± 0.05	4.0 ± 0.05	Ø1.5	+0.1 0 ①0.55±0.03 ②0.45±0.03 ③0.37±0.03	0.61 ± 0.02	

**After**

**Emboss type**



(Unit : mm)

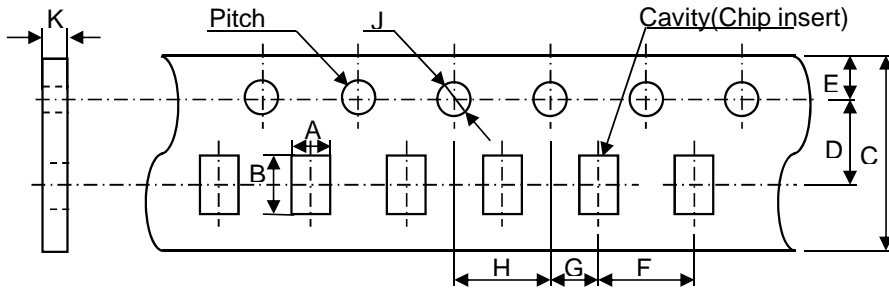
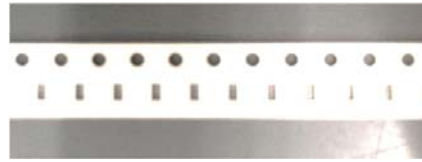
Symbol	A	B	C	D	E	F
Dimension	0.62 ± 0.05	1.12 ± 0.05	8.0 ± 0.2	3.5 ± 0.05	1.75 ± 0.1	2.0 ± 0.05
Symbol	G	H	J	K	T	
Dimension	2.0 ± 0.05	4.0 ± 0.05	Ø1.5	+0.1 0 ※0.58Max	0.20 ± 0.05	

※Specified by product thickness

**Carrier Tape Dimension for Size : 1.6 x 0.8 mm**

**Current**

**Flat type**

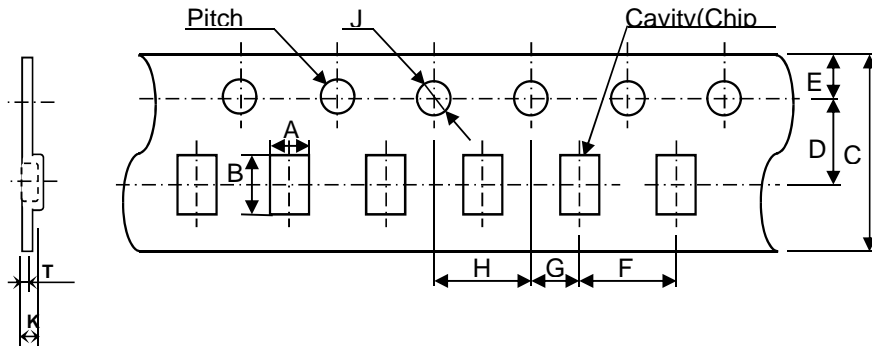


(Unit : mm)

Symbol	A	B	C	D	E	F	
Dimension	0.97 ± 0.05	1.80 ± 0.05	8.0 ± 0.2	3.5 ± 0.05	1.75 ± 0.1	4.0 ± 0.1	
Symbol	G	H	J	K			
Dimension	2.0 ± 0.05	4.0 ± 0.1	∅1.5	+0.1	①0.95±0.04 ②0.75±0.04 ③0.60±0.04 ④0.50±0.04		
				0			

**After**

**Emboss type**



(Unit : mm)

Symbol	A	B	C	D	E	F
Dimension	0.97 ± 0.05	1.80 ± 0.05	8.0 ± 0.2	3.5 ± 0.05	1.75 ± 0.1	4.0 ± 0.1
Symbol	G	H	J	K	T	
Dimension	2.0 ± 0.05	4.0 ± 0.1	∅1.5	+0.1	※1.0Max	0.25 ± 0.05
				0		

※Specified by product thickness