

# Change Notice

# JWS Series

## Change to Logo & Cap Material for JWS Rockers

Type of Change:

- Engineering     Part Number  
 Product         Appearance

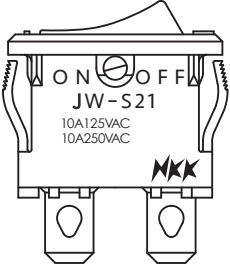
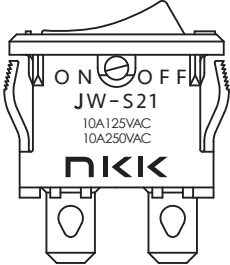
- The NKK logo will be updated on the JWS switch case, replacing the previous logo. In addition, the material used for the rocker cap is changing. Polyphenylene ether is going to be replaced with polyamide. The flammability rating of the new material is UL94V-2.

These changes will effect both standard and custom products of the JWS Series. The illustrations below depict a standard switch before and after the revisions.



JWS Rocker

### Change to Method of Identification

Before Change	After Change
 <p>Rocker Cap Material: Polyphenylene Ether</p> <p>Older NKK Logo on Lower Right Corner of Switch Case</p>	 <p>Rocker Cap Material: <b>Polyamide</b></p> <p>NKK Logo <b>Updated and Centered Near Bottom of Switch Case</b></p>

### Part Numbers Effected by JWS Revisions

Single Pole, No Barrier, Nonilluminated			Single Pole, With Barrier, Nonilluminated		
JWS11RAA	JWS11RBA	JWS11RCA	JWS11BAA-A	JWS11BBA-A	JWS11BCA-A
JWS11RAB	JWS11RBB	JWS11RCB	JWS11BAB-A	JWS11BBB-A	JWS11BCB-A
Single Pole, No Barrier, Illuminated			Single Pole, With Barrier, Illuminated		
JWS11RAAC	JWS11RAAD	JWS11RAAF	JWS11BAAC-A	JWS11BAAD-A	JWS11BAAF-A
JWS11RCAC	JWS11RCAD	JWS11RCAF	JWS11BCAC-A	JWS11BCAD-A	JWS11BCAF-A
Double Pole, No Barrier, Nonilluminated			Double Pole, With Barrier, Nonilluminated		
JWS21RAA	JWS21RBA	JWS21RCA	JWS21BAA-A	JWS21BBA-A	JWS21BCA-A
JWS21RAB	JWS21RBB	JWS21RCB	JWS21BAB-A	JWS21BBB-A	JWS21BCB-A

### Notes

The changes to the logo or to the cap material do not effect any other switch specifications.

CN-0315 is a revision of CN-0268, released 02/26/16, with minor changes and additions.

Contact factory if more details are needed.

### Effective Date

Production changes for JWS Series Rockers will be effective March 2018.

**NKK**  
SWITCHES

<http://www.nkkswitches.com> • 1.877.2BUYNKK (228.9655)

7850 East Gelding Drive • Scottsdale, AZ 85260 • Telephone 480.991.0942 • Fax 480.998.1435

# Change Notice

# JWS Series

## Change to JWS Cap Material Results in UL Approval Difference

Type of Change:

- Engineering     Part Number
- Product         Appearance



**JWS Rocker**

2. Due to the change in rocker cap material, the UL standard number will change from UL 1054 to UL 61058-1, and the approval marking will be revised on the switch case.

These changes will effect both standard and custom products of the JWS Series. The illustrations below depict standard nonilluminated and illuminated switches before and after the revisions.

Change to Method of Identification		
	Before Change	After Change
<b>JWS Nonilluminated</b>		
<b>JWS Illuminated</b>		

**Notes**

Changes to identification on the switch case and the UL approval do not effect any other switch specifications. Contact factory if more details are needed.

**Effective Date**

Production changes for JWS Series Rockers will be effective March 2018.



<http://www.nkkswitches.com> • 1.877.2BUYNKK (228.9655)

7850 East Gelding Drive • Scottsdale, AZ 85260 • Telephone 480.991.0942 • Fax 480.998.1435