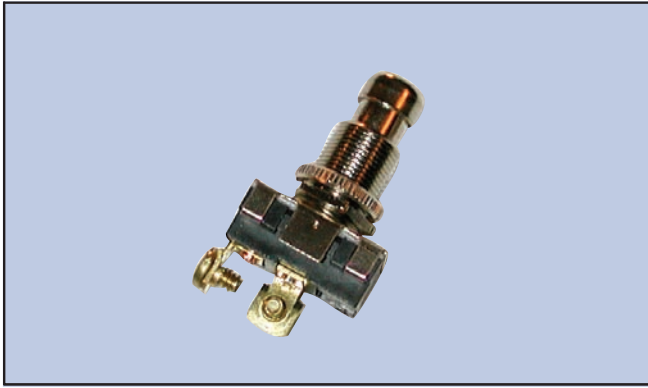
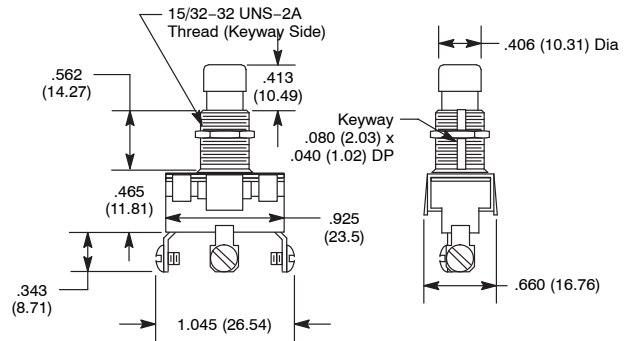


Pushbutton, Single Pole



S38



NTE Type No.	Circuitry	Action		Actuator	Diag No.
54-134	SPST	OFF	(ON)	Metal	S38

SPECIAL NOTE: () = Momentary Function

Specifications

Current Rating: 10A 250VAC, 15A 125VDC
Dielectric Strength: 1000V RMS (min.)
Temperature Rating: +149°F (+65°C) Max
Electrical Life: 15,000 cycles Min
Mechanical Life: 40,000 cycles
Terminal Type: Screw Terminals
Mounting Hole: .500 (12.7)