

Micro Snap-In Nylon Rocker



Features

- Fits Standard Panel Cutout
- RoHS Compliant

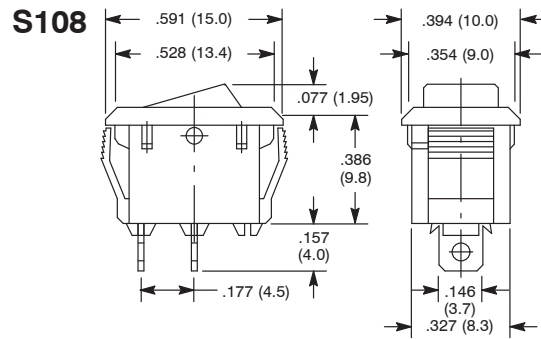


Table 1.

Panel Thickness	Y
.029 (1.750) - .049 (1.25)	.535 (13.6)
.049 (1.25) - .079 (2.00)	.539 (13.7)
.079 (2.00) - .098 (2.50)	.543 (13.8)

Mounting Hole: .362 (9.2)

Specifications

Current Rating: 6A 125VAC, 3A 250VAC, 3A 250VAC T100/55
Insulation Resistance: 100 Megohms (min.) at 500VDC
Dielectric Strength: 1000V RMS (min.) for 1 minute
Temperature Rating: +32° to +212°F (0° to +100°C)
Electrical Life: 10,000 cycles
Mechanical Life: 50,000 cycles
Terminal Type: Solder Lug
Mounting Hole: See Table 1.

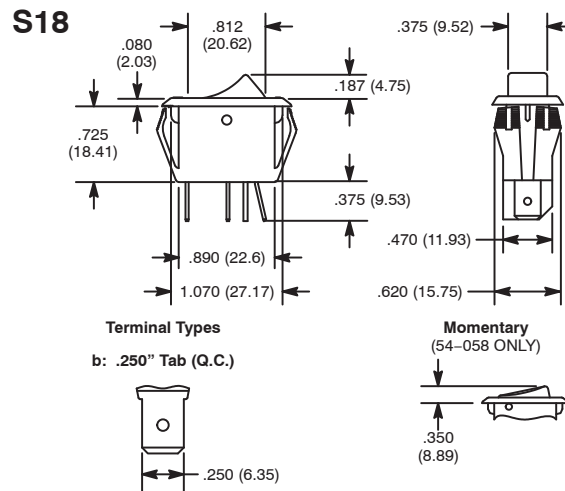
NTE Type No.	Circuitry	Action			Actuator	Legend	Diag No.
54-870	SPST	ON	NONE	OFF	White Nylon	Yes	S108
54-872	SPST	ON	NONE	OFF	Black Nylon	Yes	S108
54-874	SPST	ON	NONE	OFF	Red Nylon	No	S108

Miniature Snap-In Nylon Rocker



Features

- Fits Standard Panel Cutout



Specifications

Current Rating: 16A 125VAC, 10A 250VAC, 3/4 HP 125-250VAC
10(4)A 250VAC° T85
(54-058 Only) 12A 125VAC, 8A 250VAC, 1/2 HP 125-250VAC
Insulation Resistance: 100 Megohms (min.)
Dielectric Strength: 1000V RMS (min.)
Temperature Rating: +32° to +185°F (0° to +85°C)
Electrical Life: 100,000 cycles
Mechanical Life: 100,000 cycles
Terminal Type: .250" Tab Q.C.
Mounting Hole: 1.125 (28.58) x .550 (13.97)

NTE Type No.	Circuitry	Action			Actuator		Diag No.
					Material	Color	
54-058*	SPST	OFF	NONE	(ON)	Polyester or Nylon	White	S18b
54-059**	SPST	OFF	NONE	ON		Black	S18b
54-060	SPST	OFF	NONE	ON		Black	S18b
54-061	SPDT	ON	NONE	ON		Black	S18b
54-062**	SPST	OFF	NONE	ON		Black	S18b
54-063	SPDT	ON	OFF	ON		Black	S18b

SPECIAL NOTE: () = Momentary Function
* Momentary Rocker Style White Actuator
** Two Color Visi-Red Visi-Rocker Style Actuator