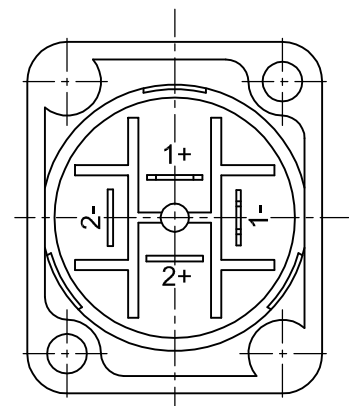
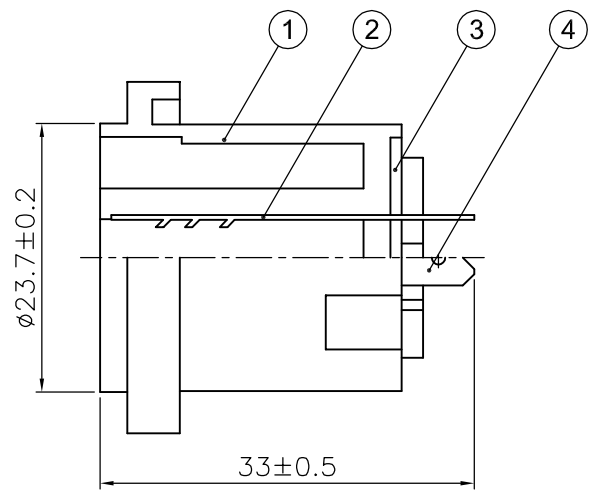
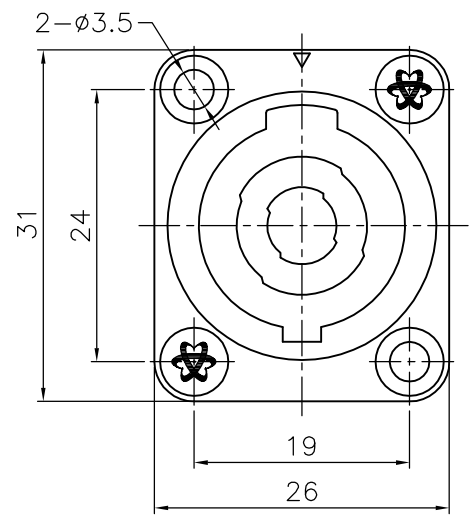


1 2 3 4 5 6 7 8

REVISIONS		
ISS	ZONE	DESCRIPTION\PER REQUEST\DATE
V	OPEN	對客戶公開圖紙
	OPEN	對供應商公開圖紙
	CLOSED	僅限廠內使用



僅供參考圖
FOR REFERENCE
DRAWING

Note(備註):
1. Packing: 1pc / bag,

NO.	DESCRIPTION	MATERIAL	FINISH	Q'TY	DRAWING NO.
4	端子1-(TERMINAL1-)	PHOSPHOR BRONZE	鍍金(GOLD)	1	3101010006
3	後蓋(BACK COVER)	PA	黑色(BLACK)	1	4301080003
2	端子1+(TERMINAL1-)	PHOSPHOR BRONZE	鍍金(GOLD)	1	3101010005
1	塑座(PLASTIC BASE)	PA	黑色(BLACK)	1	4301030005

DIMENSIONS ARE IN MILLIMETERS	
UNLESS OTHERWISE SPECIFIED TOLERANCES	
ANGLES = ±5°	
UP TO 6 = ±0.2	
6-40 = ±0.4	
40-120 = ±0.6	
120-315 = ±1	
ABOVE 315 = ±1.6	
THIRD_ANGLE	
SCALE	1.5/1

APPROVED	DATE	2016-01-15
CHECKED	DATE	2016-01-15
DRAWN 吳碧珊	DATE	2016-01-15
FILE NO.		
ERP LINK: ----		

TITLE		2P MALE PANEL MOUNT SPEAKER CONNECTOR	
PART NO.		27-10159	REV. A1

F
E
D
C
B
A

F
E
D
C
B
A

1 2 3 4 5 6 7 8