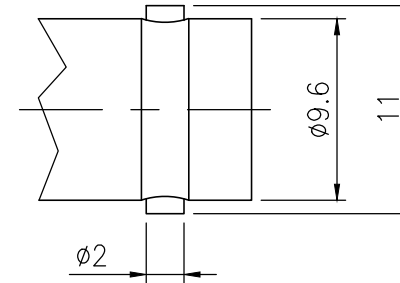
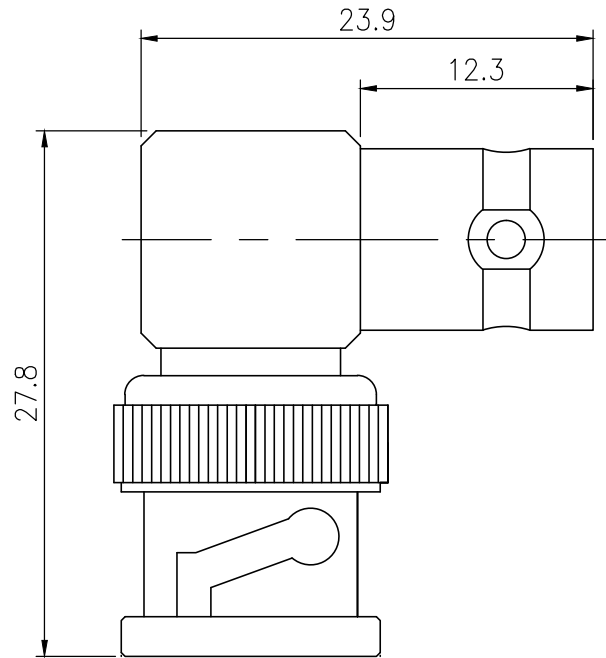


MCM	FILE NO.	27-385		REV.	DESCRIPTION	DRAWN / DATE	APPROVED / DATE
				0	INITIAL RELEASE	YANG 10/15/2014	LISA 10/15/2014



[www.mcmelectronics.com](http://www.mcmelectronics.com)

DIMENSIONS ARE IN mm [INCH]	TOLERANCES ARE FRACTIONS DECIMALS ANGLES	MATERIAL	P/N	DRAWN	YANG	DATE	10/15/2014
MOLD NO.	0.5~6 = ± 0.20	FINISH	PROJECT NO.				
	>6~30 = ± 0.40	COLOR	SCALE 2.5:1	SIZE A4	SHEET 1	OF 1	MC064
			Right Angle BNC-Male to BNC-Female Adapter				