

MCM

FILE NO.

27-400

REV.

DESCRIPTION

DRAWN / DATE

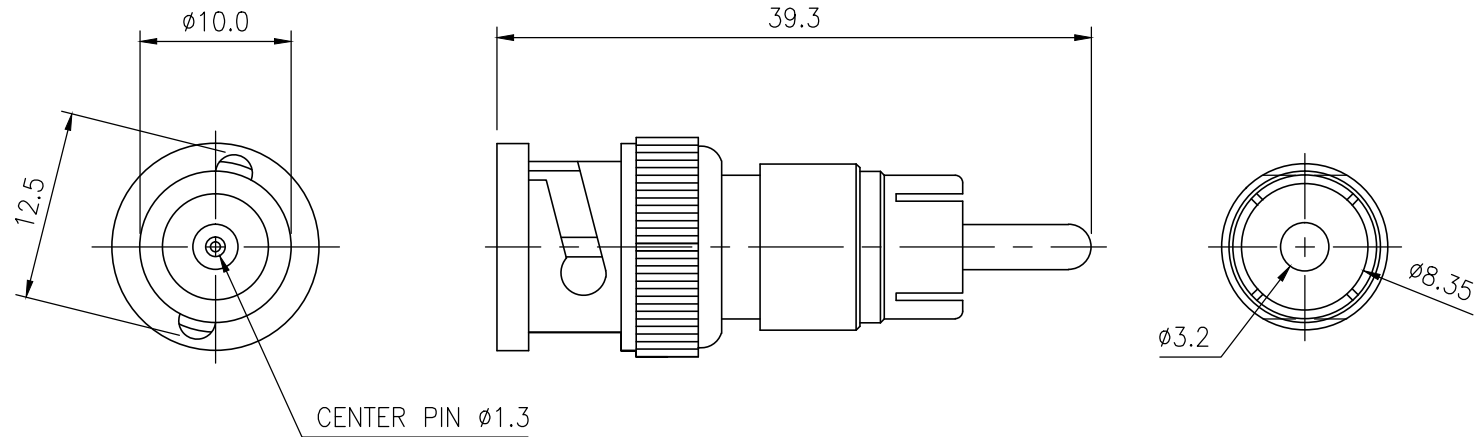
APPROVED / DATE

0

INITIAL RELEASE

YANG 10/14/2014

LISA 10/14/2014



SPECIFICATION:

1. BNC MALE TO RCA MALE CONNECTORE.
2. MATERIAL : BRASS NICKEL-PLATED.
3. INSULATOR : DELRIN.

www.mcmelectronics.com

DIMENSIONS ARE IN mm [INCH]	TOLERANCES ARE FRACTIONS DECIMALS ANGLES	MATERIAL		P/N	DRAWN YANG	DATE 10/14/2014
MOLD NO.	.X ± 0.20 [0.008] .XX ± 0.12 [0.005]	FINISH	BNC-Male to RCA-Male Adapter	PROJECT NO.		
		COLOR		SCALE 2:1	SIZE A4	SHEET 1 OF 1
						MC068