

MCM

FILE NO.

27-405

REV.

DESCRIPTION

DRAWN / DATE

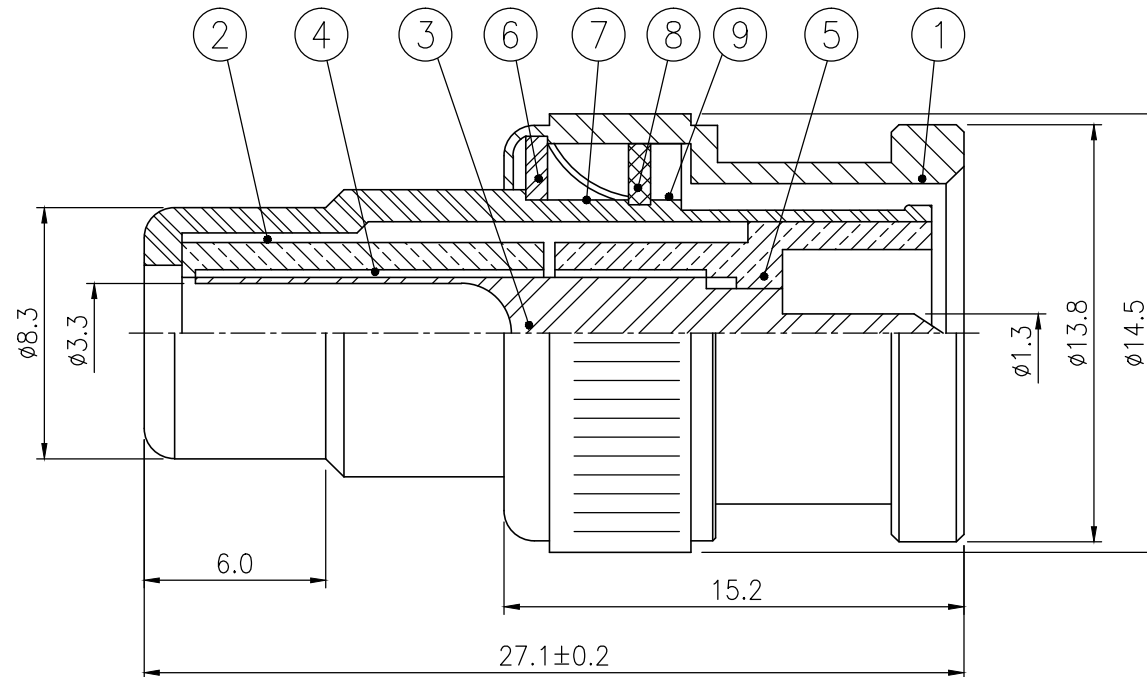
APPROVED / DATE

0

INITIAL RELEASE

YANG 10/14/2014

LISA 10/14/2014



9	GASKET	RUBBER, RED	1	
8	WASHER	STEEL, NICKEL-PLATED	1	
7	SPRING	STEEL, NICKEL-PLATED	1	
6	WASHER	STEEL, NICKEL-PLATED	1	
5	INSULATOR	DELIN, WHITE	1	
4	INSULATOR	DELIN, WHITE	1	
3	PIN	BRASS, NICKEL-PLATED	1	
2	BODY	BRASS, NICKEL-PLATED	1	
1	SHELL	ZINC, NICKEL-PLATED	1	

RoHS

www.mcmelectronics.com

DIMENSIONS ARE IN mm [INCH]		TOLERANCES ARE FRACTIONS DECIMALS ANGLES		MATERIAL	P/N	DRAWN	YANG	DATE 10/14/2014
MOLD NO.		0.5-5 = ±0.2 [0.008]	5-30 = ±0.4 [0.016]	FINISH				
				COLOR	PROJECT NO.			
					SCALE 4:1	SIZE A4	SHEET 1 OF 1	MJ029

BNC-Male to RCA-Female Adapter