

MCM

FILE NO.

27-410

REV.

DESCRIPTION

DRAWN / DATE

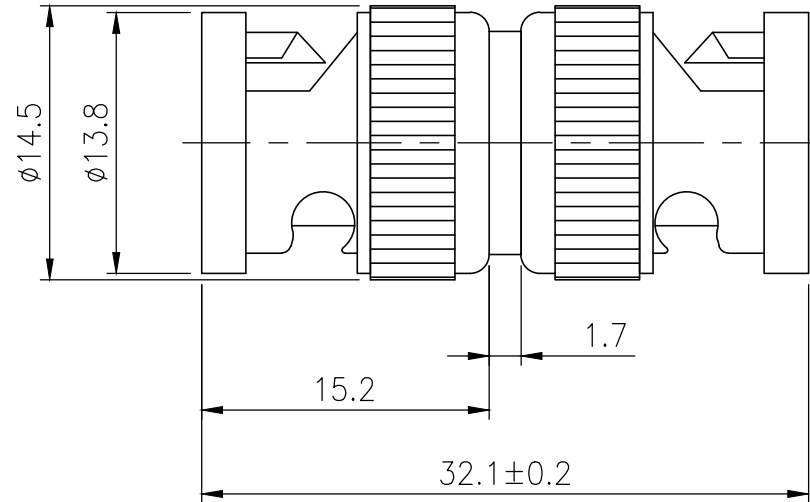
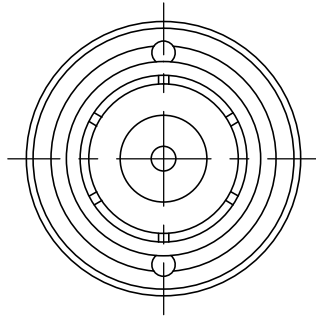
APPROVED / DATE

0

INITIAL RELEASE

YANG 10/15/2014

LISA 10/15/2014



www.mcmelectronics.com

DIMENSIONS ARE IN mm [INCH]		TOLERANCES ARE FRACTIONS DECIMALS ANGLES		MATERIAL	PROJECT NO.			DRAWN YANG	DATE 10/15/2014
MOLD NO.		.X \pm 0.20 [0.008]		FINISH	SCALE 2.5:1			SIZE A4	SHEET 1 OF 1
		.XX \pm 0.12 [0.005]		COLOR	MC068				

BNC-Male to BNC-Male
Coupler

MC068