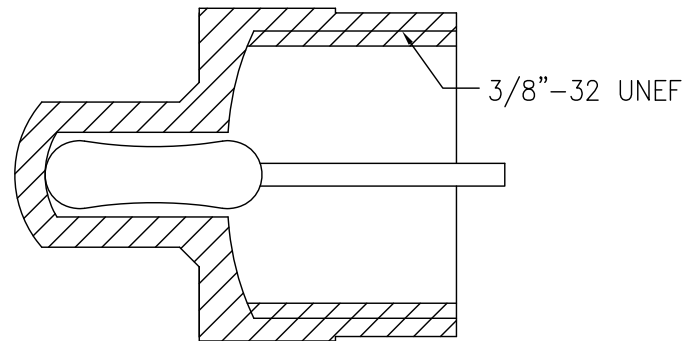
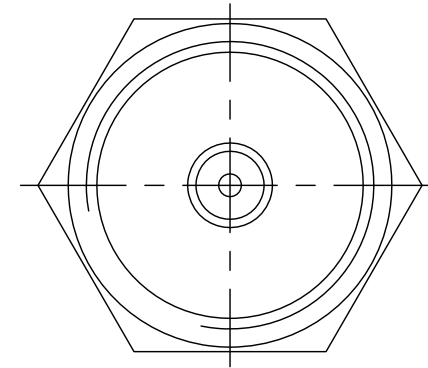
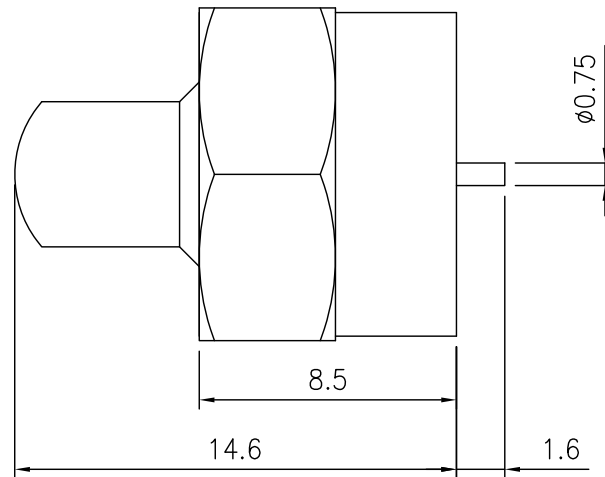
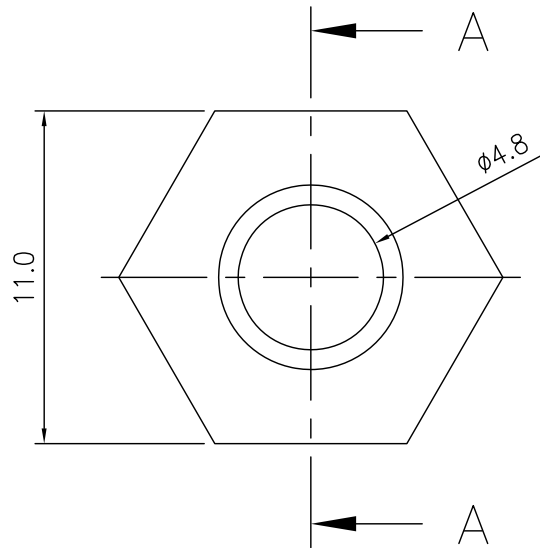


MCM

FILE NO. 27-9662

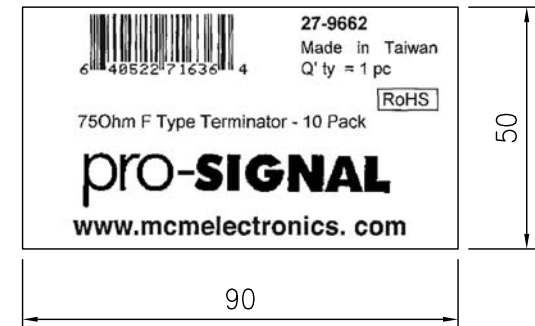
www.mcmelectronics.com



SECTION A-A

## SPECIFICATION:

1. Body: Zinc alloy, Nickel plated.
2. Resistance: 75 ohm



LABEL  
SCALE=N.T.S.

DIMENSIONS ARE IN mm [INCH]		TOLERANCES ARE FRACTIONS DECIMALS ANGLES		MATERIAL		P/N 27-9662	
MOLD NO.		.X ± 0.20 [0.008]		FINISH		PROJECT NO.	
27-9662		.XX ± 0.12 [0.005]		COLOR		SCALE 4:1 SIZE A4 SHEET 1 OF 1	
				750hm F Type Terminator-10 Pack			