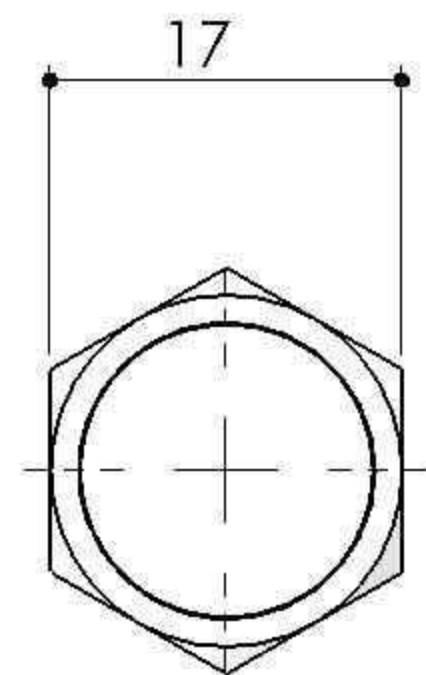
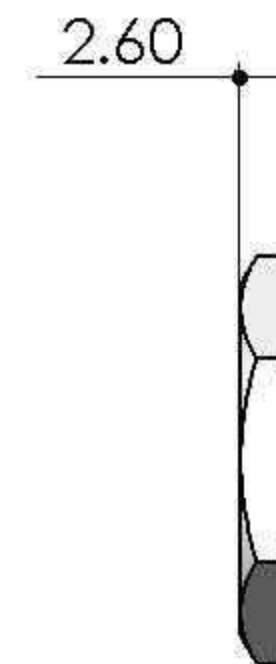
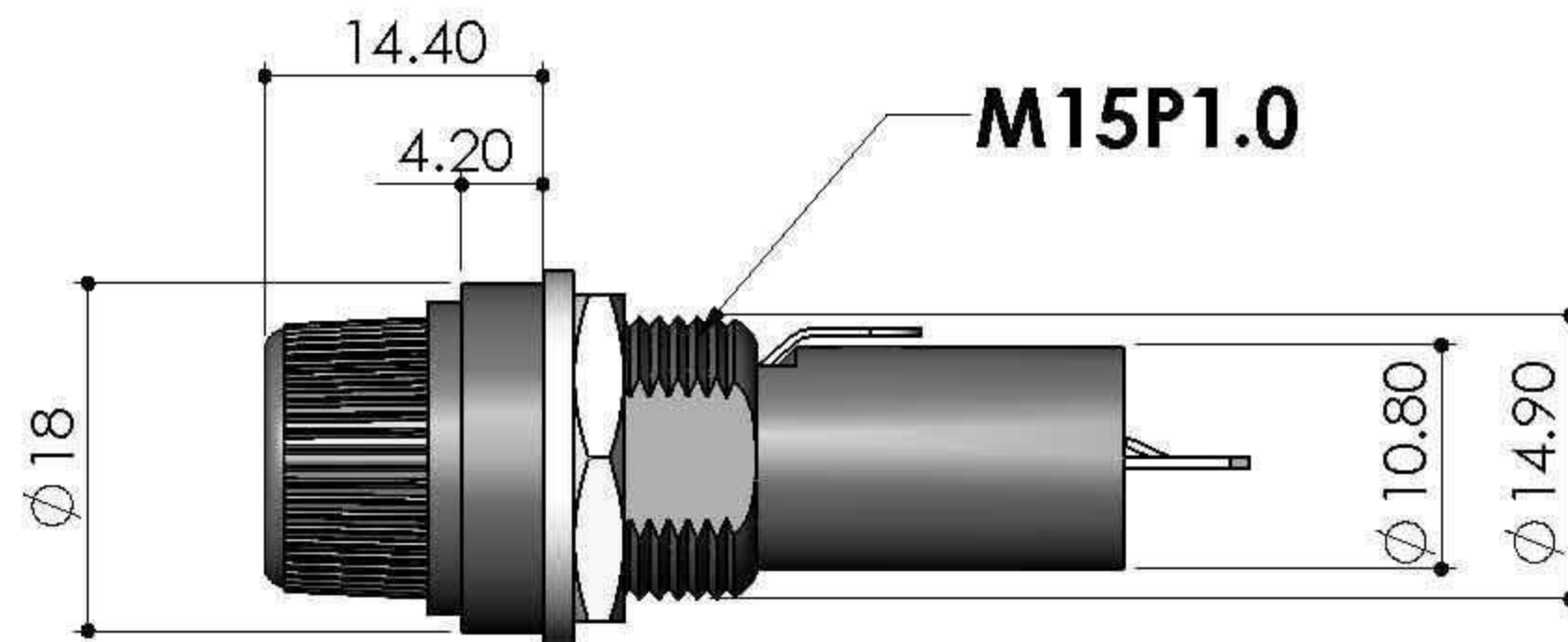
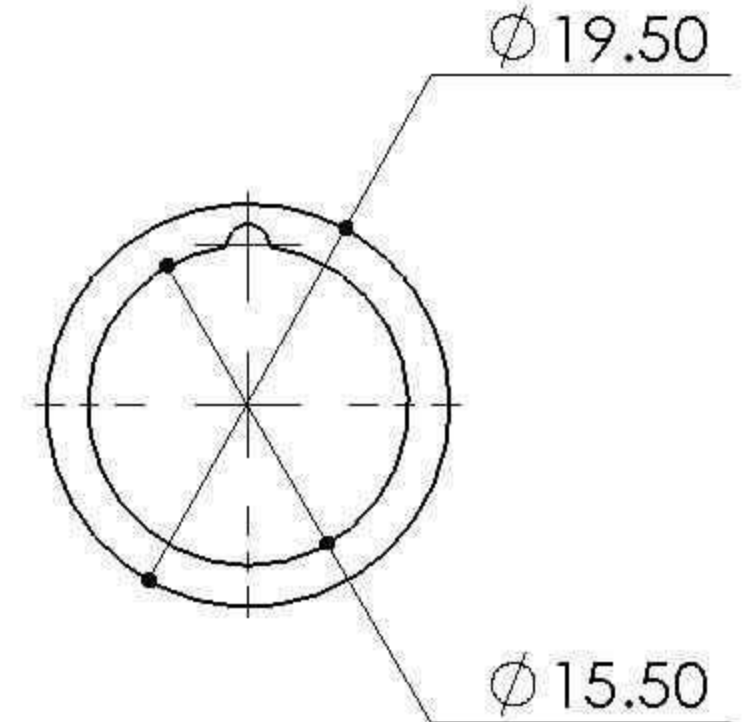
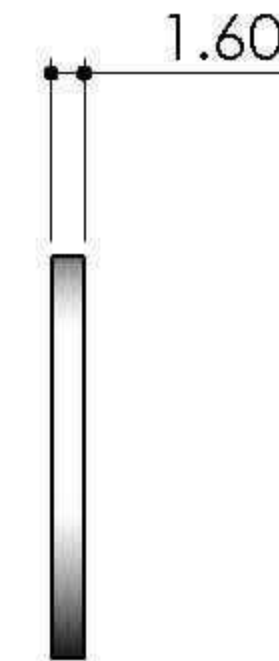
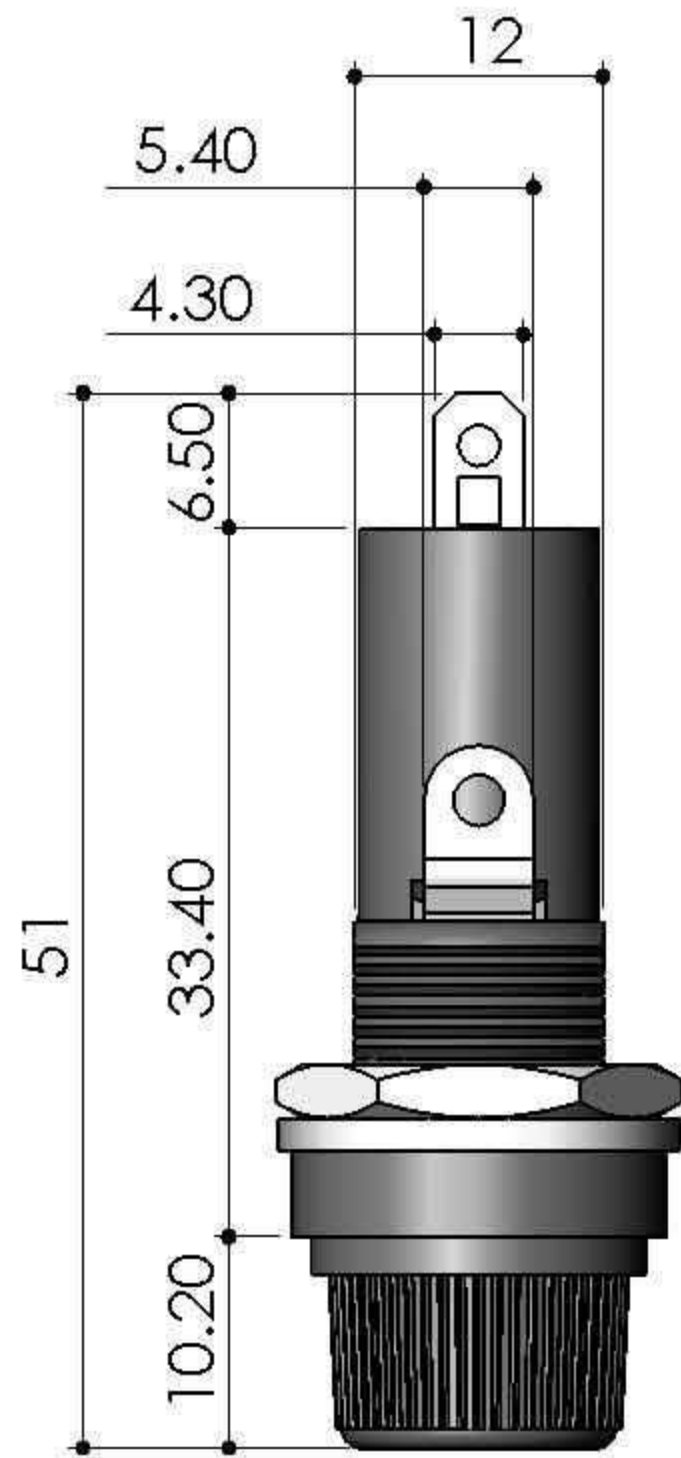


Specifacaton :

1. Rated Current : 10A 250V
2. Insulation Resistance At 500V DC : 100M Ω Min
3. Contact Resistance : 5 m Ω At 1A DC
4. Dielectric Strength For 60 Seconds : AC 1500 V Min



MCM Item #	Description	A4
28-063	Fuse Holder	m/m
Accepts 1 1/4" x 1/4" (dia.) fuses up to 10A, 250V		1.5:1
		± 0.2