

Power + Port™ HDTV Power Solution Kit

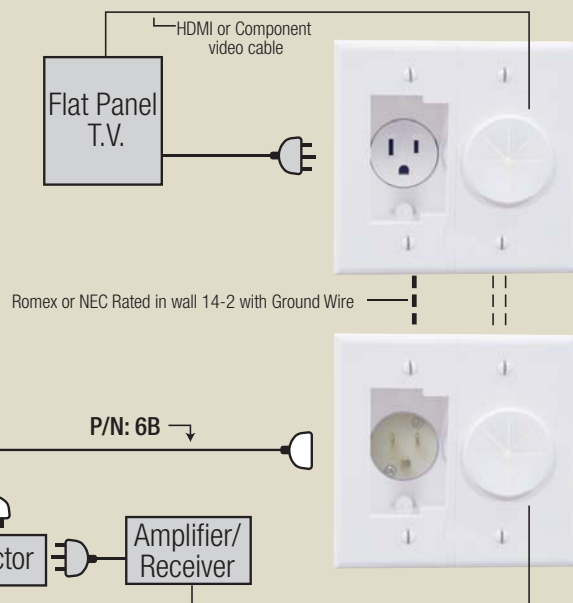
NEW!

Use MIDLITE's® innovative patent pending Power+Port™, 125V, 15 amp HDTV Power Solution Kit to install power and low voltage cables behind your flat panel TV and audio and video devices.

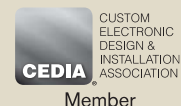
- Provides an affordable power solution for wall mounted flat panel TVs
- Perfect for retro-fit construction projects
- Includes 5 year warranty
- UL514C and CSA22.2 42.1 Compliant Meets National Electric Code Requirements
- Can be used with remote Surge/Power Conditioner to HDTV.
- Available in White, Light Almond, Ivory, and Black

Power+Port™ HDTV Power Wall Plate Kit, includes:

- A. 2-Gang Splitplate End, Recessed Receptacle and Wireport with Grommet (qty 1)
- B. 2-Gang Splitplate End, Power Inlet and Wireport with Grommet (qty 1)
- C. 2-Gang Dual Voltage Retro Work PVC boxes (qty 2)
- D. 6 ft. 14 gauge, 15 amp Black Power Cord (qty 1)



Power+Port™ HDTV Power Wall Plate System 125V, 15A	
A2GESR-W	Power+Port™ HDTV Power Wall Plate System, White
A2GESR-LA	Power+Port™ HDTV Power Wall Plate System, Light Almond
A2GESR-I	Power+Port™ HDTV Power Wall Plate System, Ivory
A2GESR-B	Power+Port™ HDTV Power Wall Plate System, Black



Multiple patents apply and pending

www.midlite.com
 Warehouse: 866 Warren Street, Fall River, MA 02721
 Office Mail: PO Box 70189, No. Dartmouth, MA 02747
 tel 508.676.5169 / toll free 800.606.5169 / fax 508.861.0105

