

# COMMUNICATIONS

## LOW VOLTAGE DEVICE MOUNTING BRACKET

For both single and double installations on existing construction.  
Designed to install LOW VOLTAGE Class 2 *ONLY!*

CATALOG NUMBER	UPC/DCI/NAED	UNIT PKG	STD PKG	DIM A	DIM B	DIM C	DIM D	DIM E
LV1	58175	10	100	5.460	4.250	2.500	1.500	1/4"-1"
LV2	10952	5	50	5.460	4.250	4.185	1.750	1/4"-1"

Dim E refers to wall thickness adjustment.  
U.S. Patents 6,093,890 and 6,346,674.

### FEATURES:

- Non-conductive, smooth plastic construction.
- For communications, cable TV, computer wiring.
- CAT 5 listed.
- Adjusts to fit 1/4" to 1" thick wallboard, paneling, or drywall.
- Bracket is its own template for cut out.
- Better than metal and costs less too!
- Specially designed wing flips up when mounting screw is tightened for a secure mount.

The LV1 & 2 can be used to secure telephone jacks and coaxial cable jacks to walls for proper installation.



E253895



LR49636

## LOW VOLTAGE DEVICE MOUNTING BRACKETS FOR NEW CONSTRUCTION.

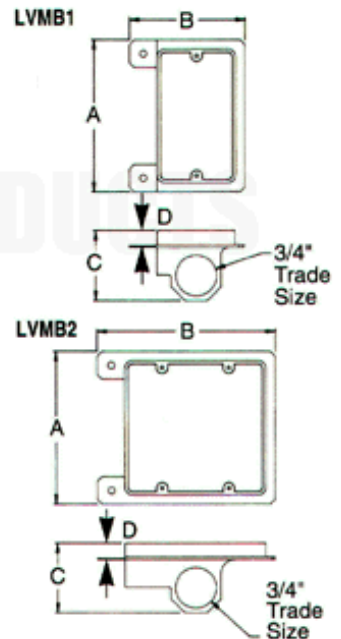
Designed to install LOW VOLTAGE Class 2 *ONLY!*

CATALOG NUMBER	UPC/DCI/NAED	UNIT PKG	DIM A	DIM B	DIM C	DIM D
LVMB1	14360	100	4.158	3.147	1.445	.375
LVMB2	14362	50	4.158	4.842	1.445	.375

Patent D427889

### FEATURES:

- Install communications wiring without needing an electrical box.
- Permits the use of 3/4" EMT.
- Available in single or double-gang models.
- Works with 1/2" or 5/8" drywall.
- Designed for communication low voltage conductor.
- Non-conductive, smooth plastic construction prevents damage to cable.
- CAT 5 listed.
- For communications, cable TV, computer wiring.



E253895



LR 49636