

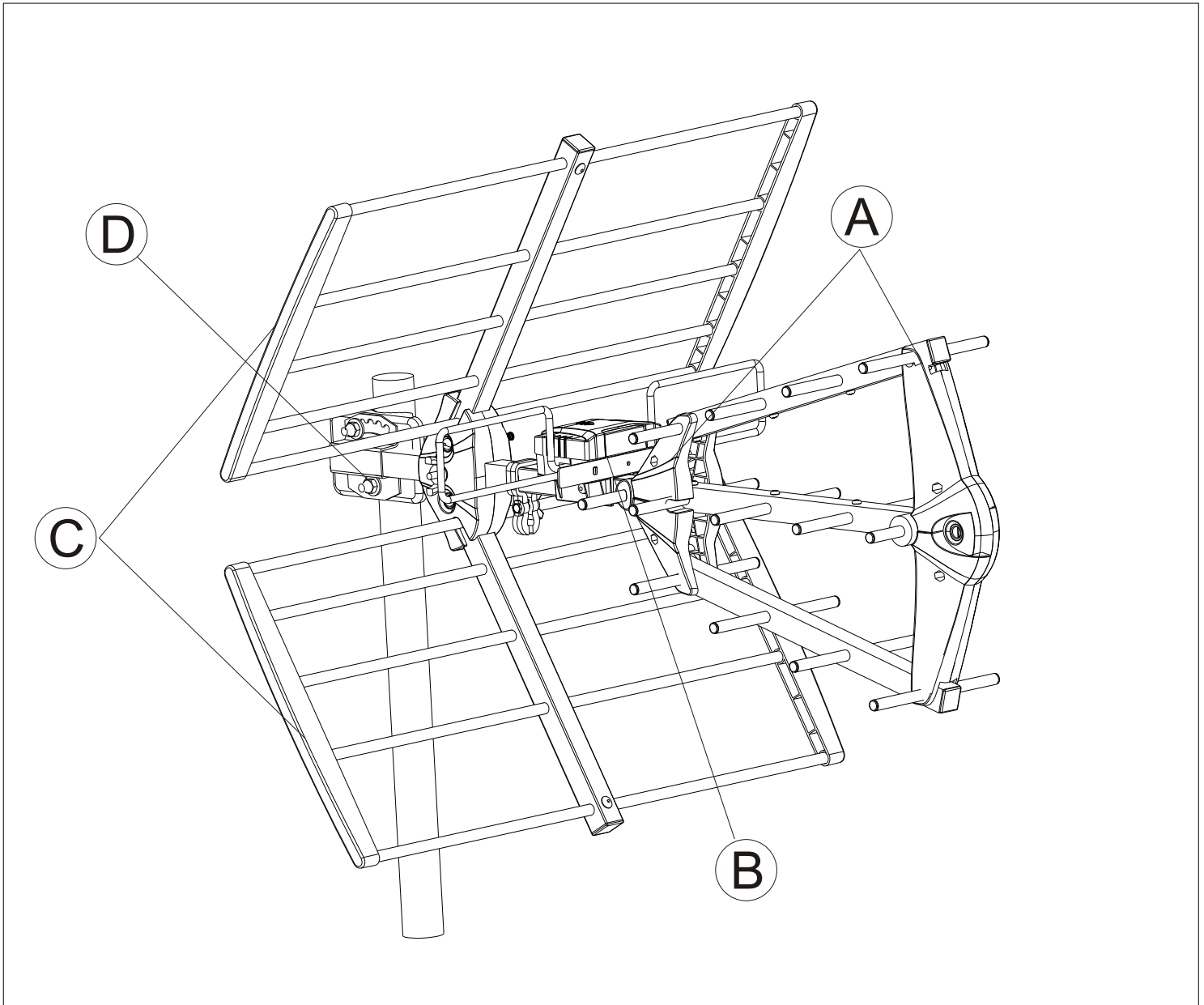
Model #30-2410
Yagi UHF/HDTV Television Antenna

Distributed exclusively by:
MCM Electronics
www.mcmelectronics.com

Technical data:

Frequency Range	Channels	Impedance	No. of elements	Antenna Gain	Front-back ratio		Antenna Length
470~862 Mhz	21-69	75 Ω	15	9-13dB	15-25dB		620mm

Antenna connection:



Antenna Assembly

