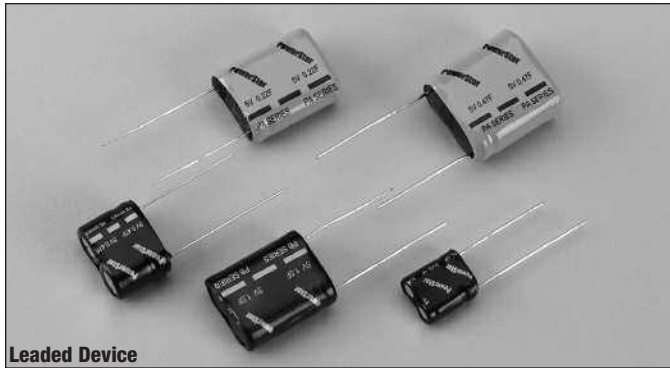


# Supercapacitors

## P Series



Leaded Device

### Description



Cooper Bussmann® PowerStor® supercapacitors are unique, ultra-high capacitance devices utilizing electrochemical double layer capacitor (EDLC) construction combined with new, high performance materials. This combination of advanced technologies allows Cooper Bussmann to offer a wide variety of capacitor solutions tailored to specific applications that range from a few micro-amps for several days to several amps for milliseconds.

The P Series is available in an ultra-low ESR version, PA or a low ESR but higher energy density version, PB.

Series	Features and Benefits		Applications
	Generic	Specific	
PA	5.0 volts Low ESR	Ultra-low ESR	Pulse power Bridge or hold up power
PB	High capacitance Long cycle life Low leakage currents	Low ESR with higher energy density	Bridge or hold up power Memory backup Battery swap out

### Specifications

Working Voltage	5.0V
Surge Voltage	6.0V
Nominal Capacitance Range	0.1 to 1.0F
Capacitance Tolerance	-20% to +80% (20°C)
Operating Temperature Range	-25°C to 70°C

### Standard Products

#### Low ESR (PB Series)

Nominal Capacitance (F)	Part Number	Nominal ESR (Ω) (Equivalent Series Resistance) Measured @ 1kHz	Nominal Dimensions	Typical Mass (grams/1 piece)
0.1	PB-5R0V104-R PB-5R0H104-R	10	5.5 x 10.8 x 12.5 mm	1.1
0.47	PB-5R0V474-R PB-5R0H474-R	2	8.5 x 16.8 x 14.0 mm	2.4
1.0	PB-5R0V105-R PB-5R0H105-R	1	8.5 x 16.8 x 21.5 mm	3.5

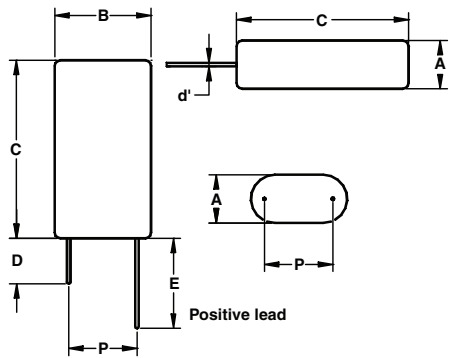
#### Ultra-Low ESR (PA Series)

0.22	PA-5R0V224-R PA-5R0H224-R	0.30	8.5 x 16.8 x 21.5 mm	3.5
0.47	PA-5R0V474-R PA-5R0H474-R	0.20	10.5 x 20.8 x 22.5 mm	5.4

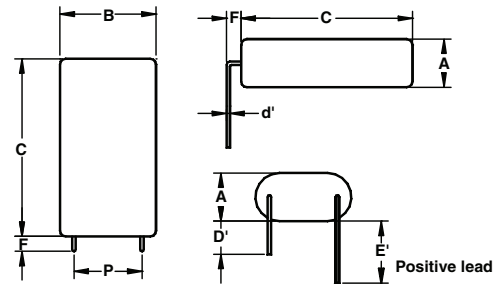
### Performance

Parameter	Capacitance Change (% of initial measured value)	ESR (% of initial specified value)
Life (1000 hrs @ 70°C @ 5.0Vdc)	≤ 30	≤ 300
Storage - Low and High Temperature (1000 hrs @ -25°C and 70°C)	≤ 30	≤ 300

Dimensions (mm)										
Part Number	A	B	C	d'	D	D'	E	E'	F	P
PB-5ROV104-R PB-5ROH104-R	6.0	11.3	13.0	0.5	20	15	25	20	2.0	7.3
PB-5ROV474-R PB-5ROH474-R	9.0	17.3	14.5	0.5	20	15	25	20	2.0	11.8
PB-5ROV105-R PB-5ROH105-R	9.0	17.3	22.0	0.5	20	15	25	20	2.0	11.8
PA-5ROV224-R PA-5ROH224-R	9.0	17.3	22.0	0.5	20	15	25	20	2.0	11.8
PA-5ROV474-R PA-5ROH474-R	11.0	21.3	23.0	0.6	20	15	25	20	2.0	5.3
<b>Tolerances</b>	Maximum			± 0.02	Minimum				± 0.5	



**Vertical**



**Horizontal**

Part Numbering System						
P		-	5	R	0	
Series Code	Version		Voltage (V) R is decimal		Configuration	Capacitance (µF)
P = Pack	A = Ultra-low ESR - or - B = High Capacitance		5R0 = 5.0V		V = Vertical - or - H = Horizontal	Value      Multiplier Example: 474 = 47 x 10 <sup>4</sup> µF or 0.47F

**Packaging Information**

Standard packaging: Bulk, 100 units per package.

Larger bulk packages available upon request.

**Part Marking**

- Manufacturer
- Capacitance (F)
- Max. Operating Voltage (V)
- Series Code
- Polarity Marking

**North America**  
Cooper Bussmann  
1225 Broken Sound Parkway NW  
Suite F  
Boca Raton, FL 33487-3533  
Tel: 1-561-998-4100  
Fax: 1-561-241-6640  
Toll Free: 1-888-414-2645

Cooper Bussmann  
P.O. Box 14460  
St. Louis, MO 63178-4460  
Tel: 1-636-394-2877  
Fax: 1-636-527-1607

**Europe**  
Cooper Bussmann  
Cooper (UK) Limited  
Burton-on-the-Wolds  
Leicestershire • LE12 5TH UK  
Tel: +44 (0) 1509 882 737  
Fax: +44 (0) 1509 882 786

Cooper Bussmann  
Avda. Santa Eulalia, 290  
08223  
Terrassa, (Barcelona), Spain  
Tel: +34 937 362 812  
+34 937 362 813  
Fax: +34 937 362 719

**Asia Pacific**  
Cooper Bussmann  
1 Jalan Kilang Timor  
#06-01 Pacific Tech Centre  
Singapore 159303  
Tel: +65 278 6151  
Fax: +65 270 4160

This bulletin is intended to present product design solutions and technical information that will help the end user with design applications. Cooper Bussmann reserves the right, without notice, to change design or construction of any products and to discontinue or limit distribution of any products. Cooper Bussmann also reserves the right to change or update, without notice, any technical information contained in this bulletin. Once a product has been selected, it should be tested by the user in all possible applications.

Life Support Policy: Cooper Bussmann does not authorize the use of any of its products for use in life support devices or systems without the express written approval of an officer of the Company. Life support systems are devices which support or sustain life, and whose failure to perform, when properly used in accordance with instructions for use provided in the labeling, can be reasonably expected to result in significant injury to the user.

© 2007 Cooper Bussmann  
St. Louis, MO 63178  
www.cooperbussmann.com

