

Electret Condenser Cardioid Gooseneck Microphone

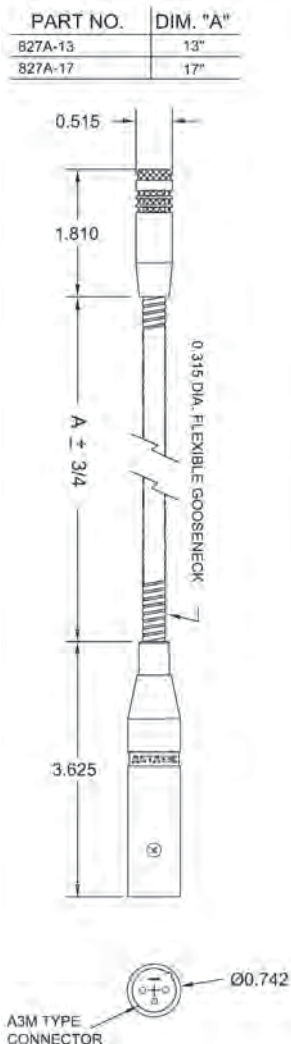
ASTATIC

Description

The ASTATIC 827A is a miniature electret condenser cardioid microphone, permanently attached to an ultra-slim gooseneck, with built-in circuitry for phantom powering. The 827A has a controlled low frequency roll off, smooth mid-range, and slightly peaked upper range to give a "natural" sound in all applications requiring voice reproduction. A superior and uniform unidirectional pattern minimizes feedback, reverberation, off-axis coloration, background noise and placement problems.

The 827A has an extremely durable satin black finish and is available with a 17 inch gooseneck (model 827A-17) or a 13 inch gooseneck (model 827A-13). This unobtrusive gooseneck microphone, with a permanently charged diaphragm providing stability, long life and high impact strength, is ruggedly constructed to provide years of dependable service.

The 827A is supplied with a miniature windscreen to control wind noise and breath "pop" during close talk situations and an A3M connector at the equipment end of the gooseneck.



ASTATIC Quality

All **827A** microphones are audio tested and inspected prior to shipment. Our absolute commitment to quality insures that **ASTATIC** microphones remain the **Best Value** in today's competitive industry.

Operation and Maintenance

The ASTATIC 827A microphone can be cleaned if the housing becomes soiled by using a cloth dampened with isopropyl alcohol. Insure power is removed prior to doing so.

Applications

- Lecturns
- Council Chambers
- Drive-in
- Court Rooms
- Schools
- Churches

SPECIFICATIONS FOR 827A



Specifications

Generating Element:

Electret Condenser (Phantom Powered)

Polar Pattern:

Unidirectional Cardioid

Frequency Response:

100 Hz - 16 kHz

Output Level:

Power Level:

-53 dB (0 dB = 1 mW per 10 microbars)

Open Circuit Voltage:

-67 dB (0 dB = 1 volt per microbar)
4.5 mV/Pascal

Output Impedance:

1000 Ohms (Balanced)

Front to Back:

20 dB

Maximum SPL:

131 dB (1% THD, open circuit)

Signal to Noise Ratio:

Above 40dB @ 1 microbar

Powering:

Supply Voltage:

9 - 52 Vdc

Current Drain:

.75 ma to 2.0 ma (operating voltage range)

Connector

A3M Type

Finish:

Satin Black

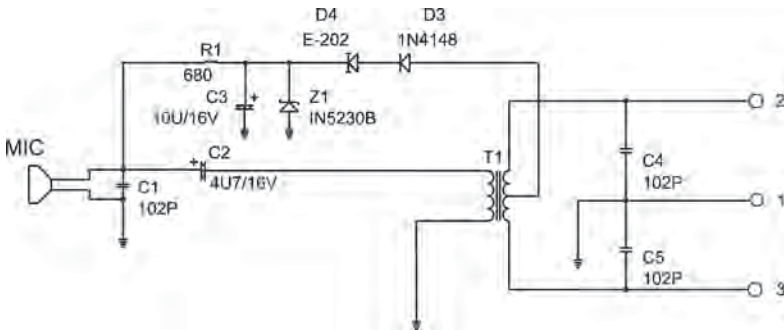
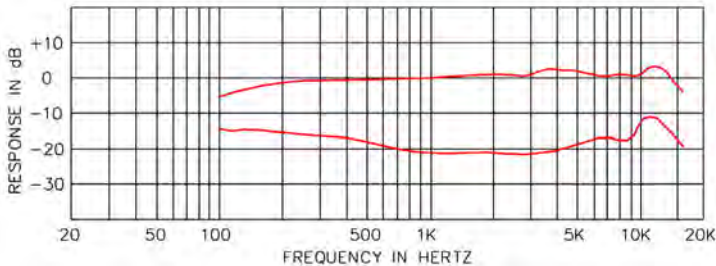
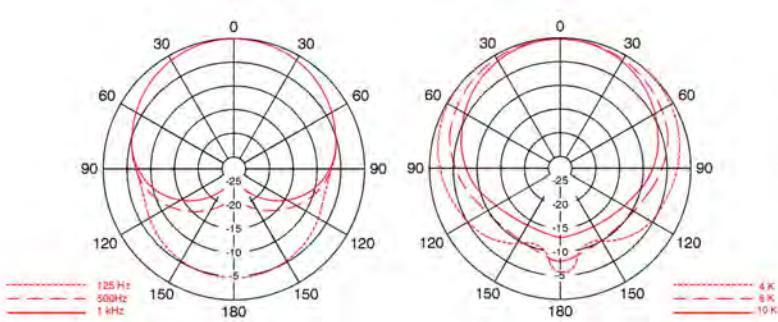
Dimensions:

(See drawing on other side)

NET Weight:

827-17, 184.3 grams (6 1/2 oz.)

827-13, 156 grams (5-1/2 oz.)



TWO-YEAR LIMITED WARRANTY

Omnitronics, LLC ("ASTATIC") hereby warrants that this product will be free of defects in material and workmanship for a period of two years from the date of purchase. In the unlikely event a defect occurs ASTATIC will, at its option, either repair or replace with a new unit of equal or greater value. You should retain proof of purchase to validate the purchase date and return it with any warranty claim. Return warranty claims carefully packed, insured and prepaid to the Service Department at the address listed below.

This warranty excludes exterior finish or appearance, damage from abuse, misuse of the product, use contrary to ASTATIC's instructions or unauthorized repair. All implied warranties or merchantability or fitness for a particular purpose are hereby disclaimed and ASTATIC hereby disclaims liability for incidental, special or consequential damages resulting from the use or unavailability of this product.

This warranty gives you specific legal rights and you may also have other rights which vary from state to state. Some states do not allow the exclusion or limitation of incidental or consequential damages or limitations on how long an implied warranty lasts, so the above exclusions and limitations may not apply to you.

Note: No other warranty, written or oral is authorized by Omnitronics, LLC