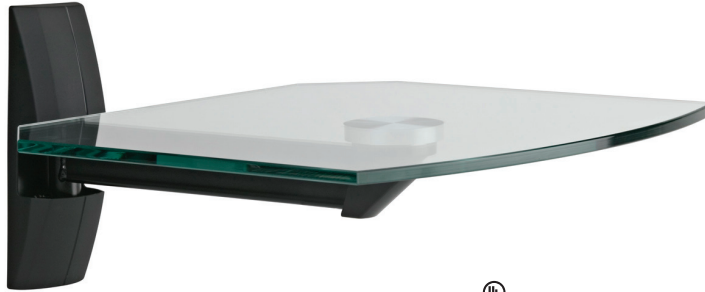


Product Information Sheet



ECS



BENEFITS

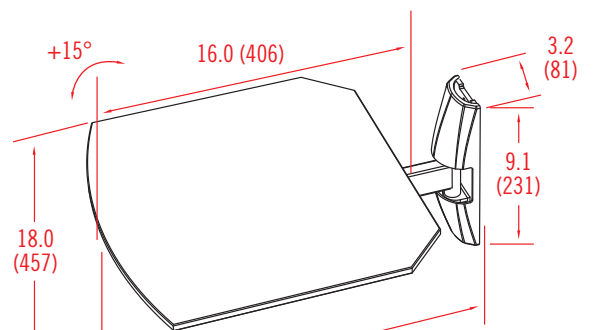
- Pivoting arm for side-to-side movement
- Wall plate hides bolts
- Includes complete hardware kit

SPECIFICATIONS

- 8mm tempered glass shelf
- 30 lbs (13.6 kg) maximum shelf capacity
- Pans left and right
- Available in Black with clear glass
- 18.0" w x 9.1" h x 20.1" d
(457mm x 231mm x 571mm)

	Color	Stock Code	Packaging UPC	MC UPC	Dimensions WxDxH inches (mm)	Wt lbs (kg)
Americas	BLK	1002828-1	728901016868	728901710155	Product Box 17.7 x 21.1 x 3.54 (450x535x90)	17.2 (7.8)
International	BLK	NA	NA	NA	Master Carton 18.6 x 22.4 x 8.2 (473x570x209)	34.9 (15.9)

Box Contents	Qty
Glass shelf	1
Mounting arm	1
Mounting arm cover	1
Wall bracket	1
Wall bracket cover	1
Complete mount installation hardware kit	1
Instruction manual	1



inches (mm)

OmniMount, an innovator of A/V mounts and furniture for more than a quarter century, is the choice of professional installers and the brand most recommended by TV manufacturers. The ECS is a glass wall shelf that is designed to hold a cable box, DVD player or most any other component that needs to be located next to a mounted television.