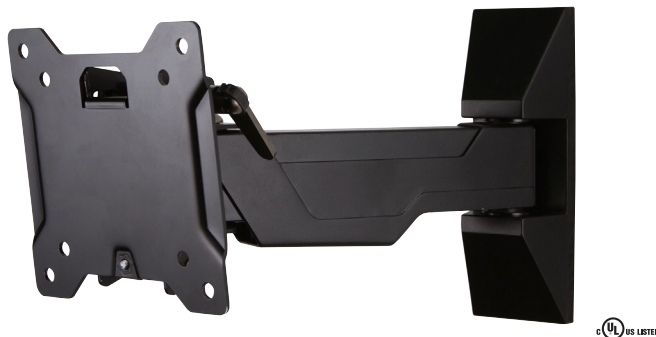


# OC40FM product information sheet



The OC40FM is ideal for entry-level consumers looking for a low-profile and easy-to-use small full motion mount.

## Product Benefits\*

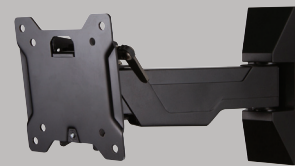
- Low 3.2" (82mm) mounting profile
- Tilt, pan and swivel for maximum viewing flexibility
- Lift n' Lock™ allows you to easily attach your TV to the mount
- Extends 9.5" (240mm) from wall when in use and retracts to 3.2" (82mm) when not in use
- Integrated cable management and plastic covers hide wires
- Allows for simple leveling adjustments post-installation
- Durable powder coat finish
- Two-tone design and modern aesthetic complements newer TVs
- Includes adapters for greater VESA compatibility
- Simple to install and use
- Ships fully assembled
- Includes complete hardware kit

## Product Specifications\*

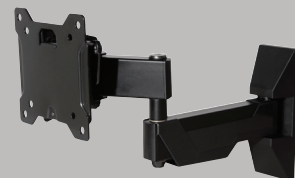
**Fits most:** 13–37" TVs  
**Supports up to:** 40 lbs (18.1 kg)  
**Tilt:** +15° to -5°  
**Pan:** Up to 180°  
**Mounting profile:** 3.2" (82mm)\*  
**Maximum extension:** 9.5" (240mm)\*  
**VESA compliance:** 75x75 to 200x200  
**Mounting:** Single-stud or solid wall  
**UL listed:** Yes  
**Warranty:** 5 years  
**Color:** Black

\*adapter adds .2" (6mm)

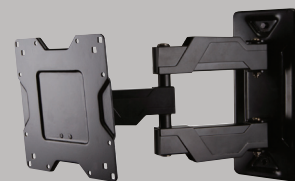
## Series



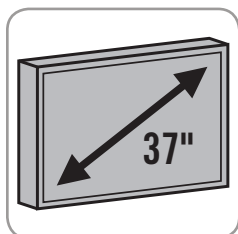
OC40FM



OC40FMX



OC80FM



Take the guess work out of choosing your perfect mount! The OC40FM is a single-arm cantilever that is compatible with most TVs up to 37" on the market today.

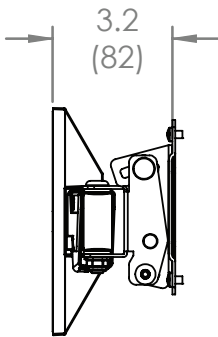
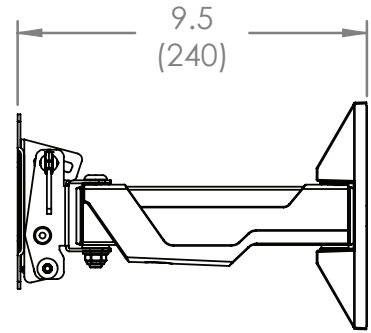
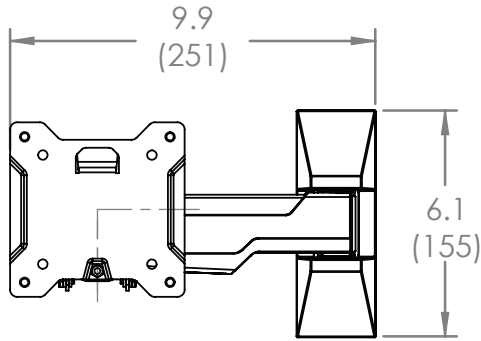
\*Subject to change

**800.MOUNT.IT (800.668.6848)**



01022013

# OC40FM technical data sheet



inches (mm)

	Packaging UPC	MC UPC
Americas	698833021950	10698833021957
International	698833021950	10698833021957

	Dimensions WxDxH Inches (mm)	Wt lbs (kg)	Qty
Box	12 x 8.2 x 3.2 (305x208x80)	3.5 (1.6)	NA
MC	13 x 12.6 x 9.3 (330x320x237)	14.8 (6.7)	4

Box Contents	Qty
Wall plate	1
Wall plate cover	1
Arm assembly (with cable management)	1
Monitor plate	1
Tilt tension handle	1

Box Contents	Qty
Complete TV hardware kit	1
Complete wall hardware kit	1
Complete hardware kit	1
Instruction Manual	1

