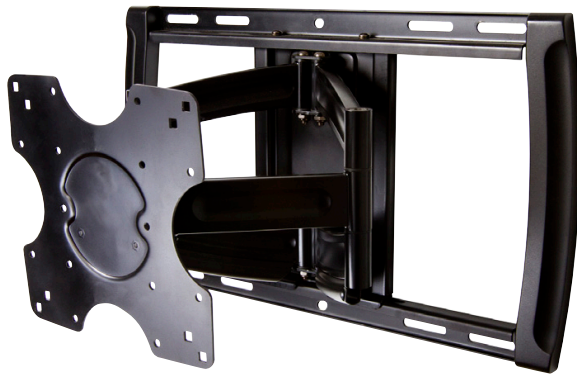


OS120FM product information sheet



The OS120FM is a large full motion mount designed with patented technology and precise engineering, making positioning a TV smooth and easy while ensuring that it stays in the desired place. Quality craftsmanship ensures a dependable performance for the lifetime of the product.

Product Benefits

- Low profile design nests TV close to the wall
- Tilts to reduce screen glare
- Pans left and right between rooms or seating areas
- Fluidly repositions TV and holds in desired position
- Lift n' Lock™ enables easy 3-step installation
- Special channel routes cables from TV to wall
- Leveling feature for fine-tune adjustments
- Die-cast arm for strength and style
- High-quality design for long-term performance
- Includes all necessary hardware for TV and mount

Product Specifications

Fits most: 42–70" TVs

Supports up to: 120 lbs (54.4 kg)

Tilt: +10° to -3°

Mounting profile: 3.0" (7.6 cm)*

Extension from wall: 16.5" (41.8 cm)*

VESA compliance: 100x100 to 600x400

Post installation leveling: ±3°

Mounting: Single-stud, 16" Double-stud or solid wall

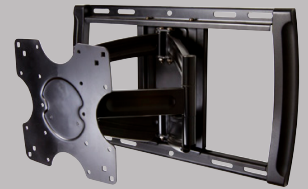
Warranty: 5 years

Color: Black



*adapters add 0.1" (.05mm)

Series



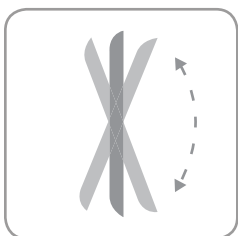
OS120FM



OS120T



OS120F



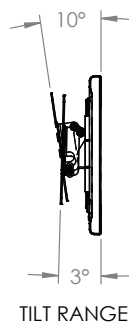
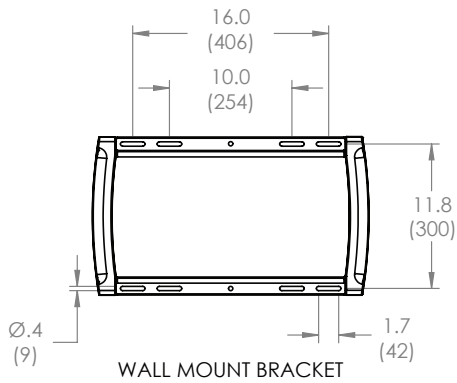
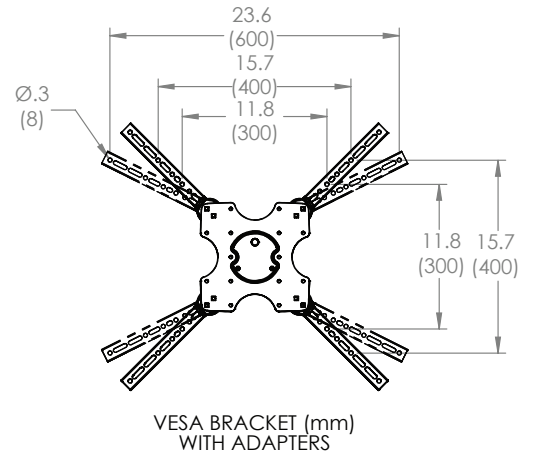
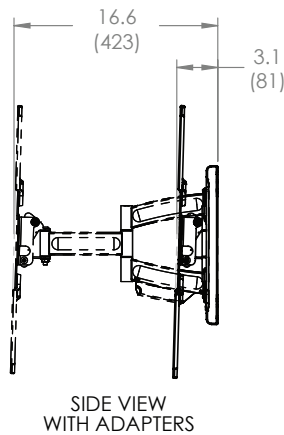
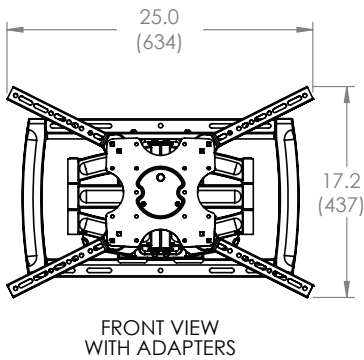
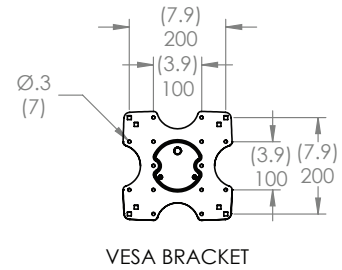
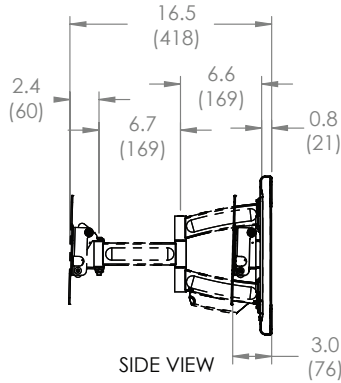
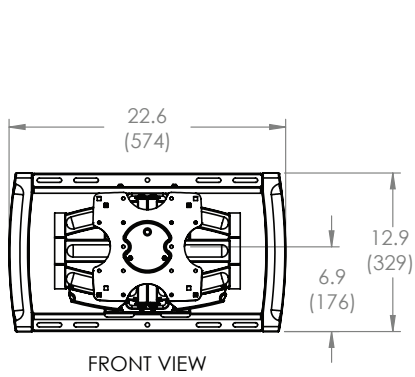
Designed with patented gravity tilt and precise tolerances to make adjusting a TV easy and reliable.

800.MOUNT.IT (800.668.6848)



04052013

OS120FM technical data sheet



inches (mm)

	Packaging UPC	MC UPC
Americas	698833019988	10698833019985
International	698833019988	10698833019985

	Dimensions WxDxH Inches (mm)	Wt lbs (kg)	Qty
Box	27.1 x 4.3 x 15.2 (689x109x385)	18 (8.2)	NA
MC	27.5 x 18.1 x 16.2 (700x460x412)	75 (33.8)	2

Box Contents	Qty
Wall plate	1
Arm assembly	1
Cable management	1
Monitor plate	1

Box Contents	Qty
Tilt tension handle	1
Spider 46 adapter	4
Instruction manual	1
Complete hardware kit	1

