

OS120T product information sheet



The OS120T is a low-profile, easy-to-use large tilt mount.

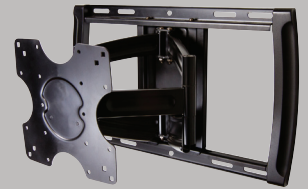
Product Benefits*

- Low 2.1" (54mm) mounting profile
- Tilt up to 10° to reduce glare
- Equipped with patented gravity tilt, providing perfect tension no matter where you place your TV
- Lift n' Lock™ for easy 3-step installation
- Adequate spacing between TV and wall allows for cooling
- Provides ample room for cables and wires between TV and wall
- Sliding lateral on-wall adjustment
- Endcaps present a clean side view
- Safety locks prevent TV from sliding off mount
- Single wall plate allows for quick and simple installation
- Durable powder coat finish
- Includes complete hardware kit

Product Specifications*

Fits most: 37–70" TVs
Supports up to: 120 lbs (54.4 kg)
Tilt: Up to 10°
Mounting profile: 2.1" (54mm)
VESA compliance: 100x100 to 600x400
Mounting: 16" or 24" Double-stud or solid wall
UL listed: Yes
Warranty: 5 years
Color: Black

Series



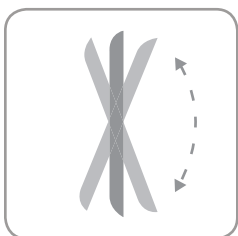
OS120FM



OS120T



OS120F



The OS120T has gravity tilt built in, allowing for perfect TV placement with minimal effort.

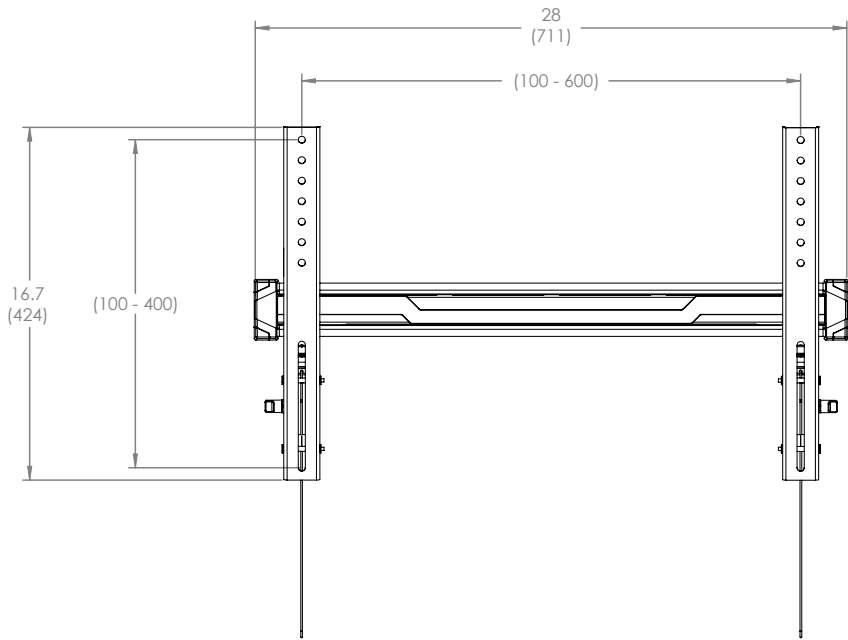
*Subject to change

800.MOUNT.IT (800.668.6848)

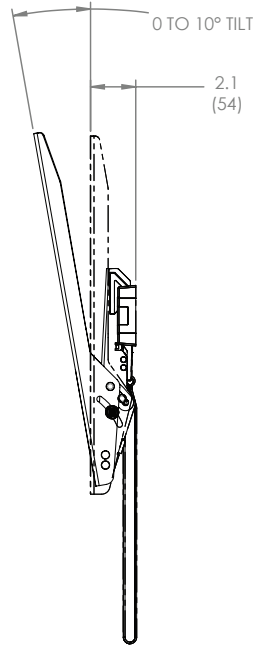


02222013

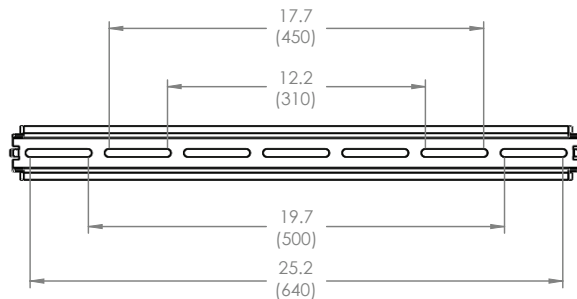
OS120T technical data sheet



FRONT VIEW



MOUNTING PROFILE



WALL MOUNTING



inches (mm)

	Packaging UPC	MC UPC
Americas	698833022056	10698833022053
International	698833022056	10698833022053

	Dimensions WxDxH Inches (mm)	Wt lbs (kg)	Qty
Box	29.9 x 8.9 x 2.8 (760x225x71)	8.8 (4)	NA
MC	30.3 x 6.3 x 10.2 (770x160x260)	19.2 (8.7)	2

Box Contents	Qty
Wall plate	1
Wall plate cover	1
Vertical rail	2
Tilt tension knob	2

Box Contents	Qty
Locking mechanism	2
Instruction manual	1
Complete hardware kit	1

