

OS40TP product information sheet



The OS40TP is an easy-to-use small tilt and pan mount.

Product Benefits

- Offers 25° of pan for side to side movement to find the perfect viewing angle
- Equipped with patented gravity tilt, providing perfect tension no matter where you place your TV
- Lift n' Lock™ allows you to easily attach your TV to the mount
- Offers 6° of post-installation leveling of the mount
- Adequate spacing between TV and wall allows for cooling
- Provides ample room for cables and wires between TV and wall
- Durable powder coat finish
- Simple to install and use
- Ships fully assembled
- Includes adapters for greater VESA compatibility
- Includes complete hardware kit

Product Specifications

Fits most: 13–37" TVs

Supports up to: 40 lbs (18.1 kg)

Tilt: +10° to -3°

Pan: 25°

Mounting profile: 3.0" (7.7 cm)*

VESA compliance: 75x75 to 200x200

Mounting: Single-stud or solid wall

Warranty: 5 years

Color: Black

c  US LISTED

*adapters add 0.3" (.07 cm)

Series



OS35FM



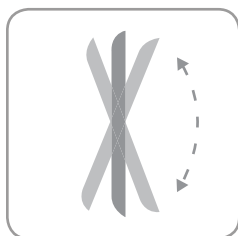
OS40TP



OS50T

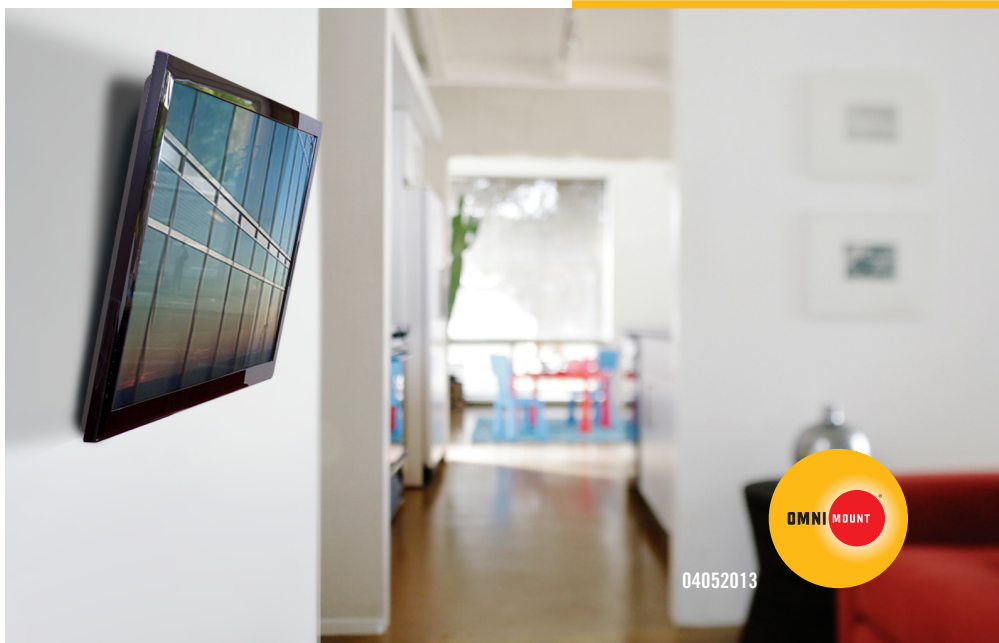


OS50F



The OS40TP has gravity tilt and pan built in, allowing for perfect TV placement with minimal effort.

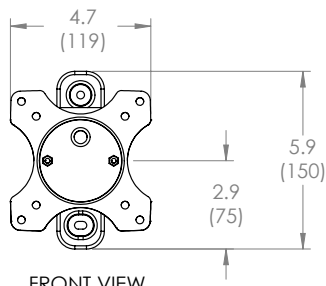
800.MOUNT.IT (800.668.6848)



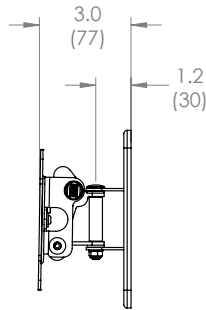
04052013



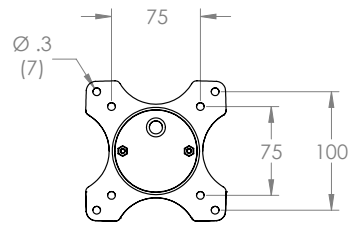
OS40TP technical data sheet



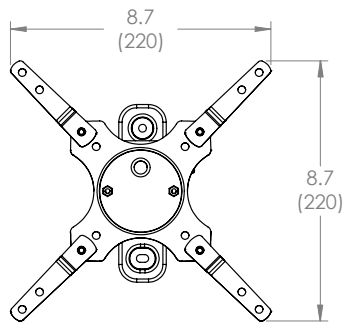
FRONT VIEW



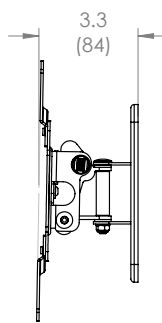
SIDE VIEW



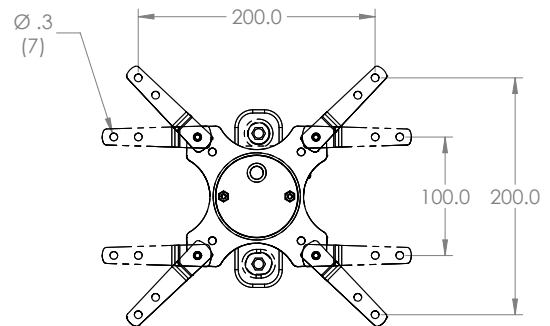
VESA BRACKET (mm)



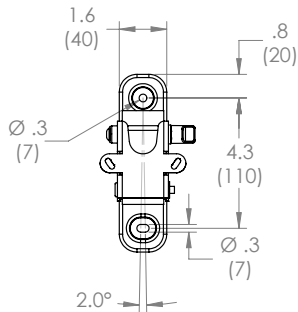
FRONT VIEW WITH ADAPTERS



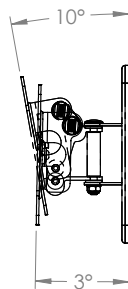
SIDE VIEW WITH ADAPTERS



VESA BRACKET (mm) WITH ADAPTERS



WALL MOUNT BRACKET



TILT RANGE



inches (mm)

	Packaging UPC	MC UPC
Americas	698833028560	698833028567
International	698833028560	698833028567

	Dimensions WxDxH Inches (mm)	Wt lbs (kg)	Qty
Box	8.3 x 6.4 x 3.6 (210x162x92)	2 (.9)	NA
MC	8.6 x 15.2 x 7.2 (218x387x184)	9 (4.1)	4

Box Contents	Qty
Wall plate	1
Monitor plate	1
Tilt tension knob	1
V200A adapter	4

Box Contents	Qty
Complete TV hardware kit	1
Complete wall hardware kit	1
Complete hardware kit	1
Instruction Manual	1

