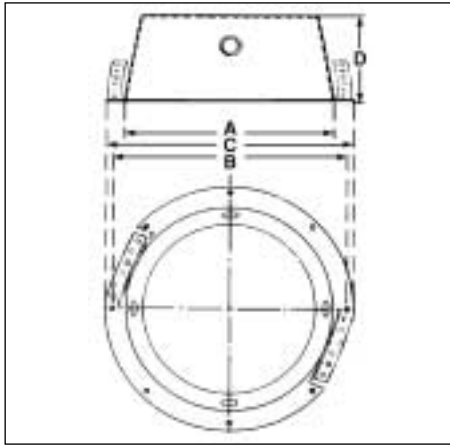




ROUND RECESSED STACKABLE ENCLOSURES FOR 8" LOUDSPEAKERS

CS95-8



DESCRIPTION

Ideal for contractors with limited storage facilities, this conically shaped enclosure nests to achieve reduced inventory space requirements and transportation costs. Furnished with four combination conduit knockouts $\frac{1}{2}$ " – $\frac{3}{4}$ " (13-19mm), four J-clips and four flexible perforated mounting straps. One-piece CRS construction, undercoated, patch-jute lined, and finished in epoxy. (Note: Enclosure is not designed to mount loudspeakers with premounted line transformer models HT-82, HT-87, HT167, and HT327.

ARCHITECT AND ENGINEER SPECIFICATIONS

The metal protective enclosure shall be Atlas Sound Model (CS95-8 or CS95-8NS) _____ or approved equal. The enclosure shall have four 8-32 J-Clips installed in the mounting flange.

The enclosures shall have 4 combination knockouts $\frac{1}{2}$ " – $\frac{3}{4}$ " (13-19mm) spaced 90 degrees apart and shall be of one piece construction.

Interior of enclosure shall be undercoated to prevent mechanical and acoustical resonances. Epoxy shall be finished in textured epoxy.

The enclosure shall mount Atlas Sound Model _____ baffle or approved equal.

THREE

MODEL	DIMENSIONS				MOUNTS BAFFLE MODELS
	A	B	C	D	
CS95-8, CS95-8NS	9 $\frac{3}{4}$ " (249mm)	11 $\frac{1}{4}$ " (286mm)	11 $\frac{3}{4}$ " (298mm)	4 $\frac{1}{4}$ " (108mm)	51-8, 60-8(W), 61-8W, 62-8, 63-8, 67-8(W), 68-8W, 170-8, G22-8, M222(W), P900, VP60-R

NOTE: The CS95 Series enclosure will mount speakers with most Atlas Sound premounted line transformers. The HT-87, HT82, HT-167, and HT-327 transformer however, will not fit the enclosure when premounted to the speaker. Please consult appropriate speaker/transformer specification sheet for dimensions.

Specifications subject to change without notice



1601 JACK MCKAY BLVD. / ENNIS, TEXAS 75119 U.S.A. / TELEPHONE: (800) 876-3333 / FAX (800) 765-3435