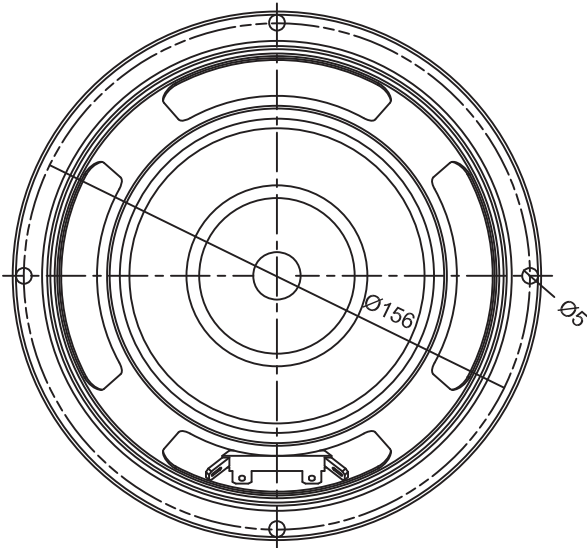
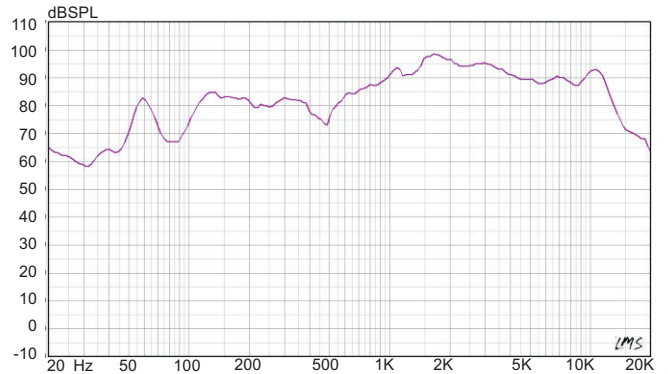


PARAMETERS

Impedance	8 Ohm
Re	7.2 ohms
Fs	60.3 Hz
Qms	4.52
Qes	0.91
Qts	0.76
Mms	12.9g
Cms	0.54mm/N
Sd	136.85cm ²
BL	6.24Tm
Vas	14.36liters
VC diameter	1"
SPL	87.3dB
RMS power	50Watts
Frequency Response	60 to 12,000 Hz



SPL vs Freq



Impedance vs Freq

