



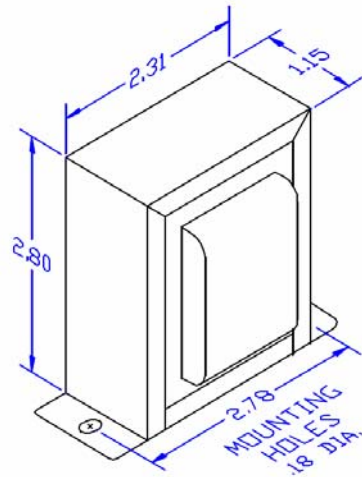
70v/100v 100W Speaker Transformer Model No. THSPM100

Single coil autoformer allows high power matching of 8ohm or 16ohm speakers to 70volt or 100volt distributed commercial systems.

It may also be used to convert 8ohm speakers to 16ohms, allowing larger

numbers of speakers to be used in a conventional 8ohm installation.

Wide frequency response makes this ideal in situations where sonic quality is critical.



DIMENSIONS in INCHES

WATTS @100V	WATTS @ 70V	IMPEDANCE	
		COMMON	BLK
		8 OHMS	BRN
		16 OHMS	RED
	100W	50 OHMS	DRN
100W	50W	100 OHMS	YEL
50W	25W	200 OHMS	GRN
25W	12.5W	400 OHMS	BLU
12.5W	6.25W	800 OHMS	VID
6.25W	3.125W	1600 OHMS	GRY
3.125W	1.56W	3200 OHMS	WHT

Specifications

- Power capacity: 100W RMS
- Frequency response: 35Hz~19KHz (±1dB)
- Taps (ohms): 8, 16, 50, 100, 200, 400, 800, 1600, 3200
- Taps (70V): 100W, 50W, 25W, 12.5W, 6.25W, 3.13W, 1.56W
- Taps (100V): 100W, 50W, 25W, 12.5W, 6.25W, 3.13W
- Dimensions: 2.80" (H) x 2.31" (W) x 1.15" (D)
- Weight: 1.7lbs
- Color-coded 22AWG leads are 12" in length.

Distributed By:
MCM Electronics
MCM Item #555-7127
www.mcminone.com