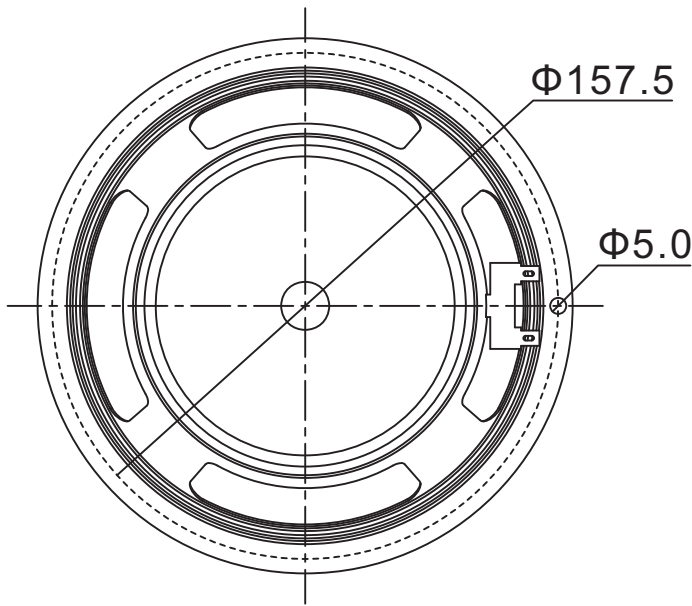
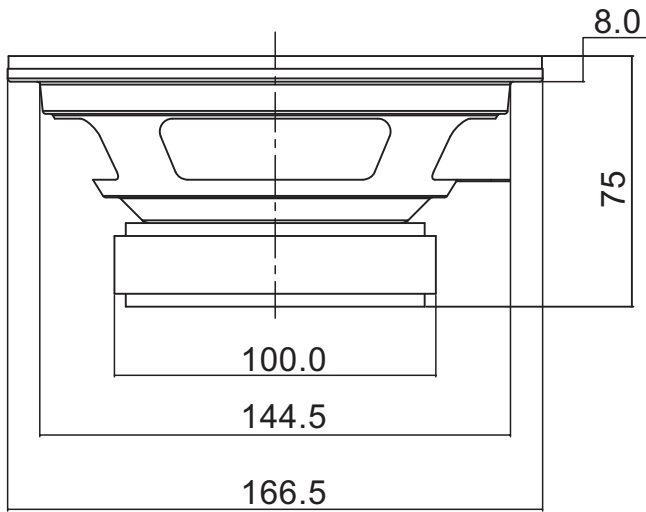
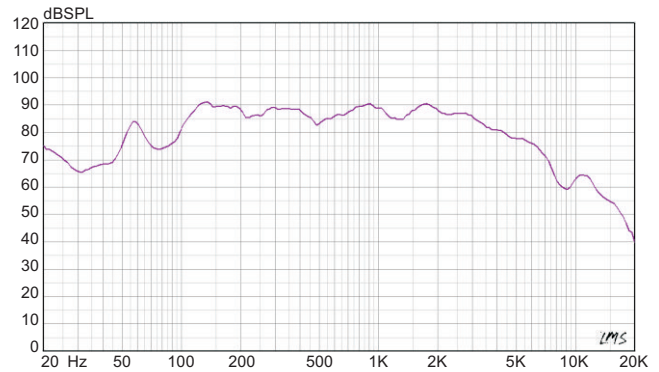


PARAMETERS

Impedance	8 Ohm
Re	7.6 ohms
Le	1.11 mH
Fs	72.7Hz
Qms	1.91
Qes	1.02
Qts	0.67
Mms	17.44g
Cms	0.28mm/N
Sd	138.9cm ²
BL	7.69Tm
Vas	7.54 liters
Xmax	3 mm
VC diameter	1.5"
SPL	86.4dB
RMS power	60Watts
Frequency Response	73 to 3,000Hz



SPL vs Freq



Impedance vs Freq

