

DROP-IN CEILING SPEAKER

INSTALLS
FAST
& EASY!

CSD1X2 Drop-In Ceiling Speaker

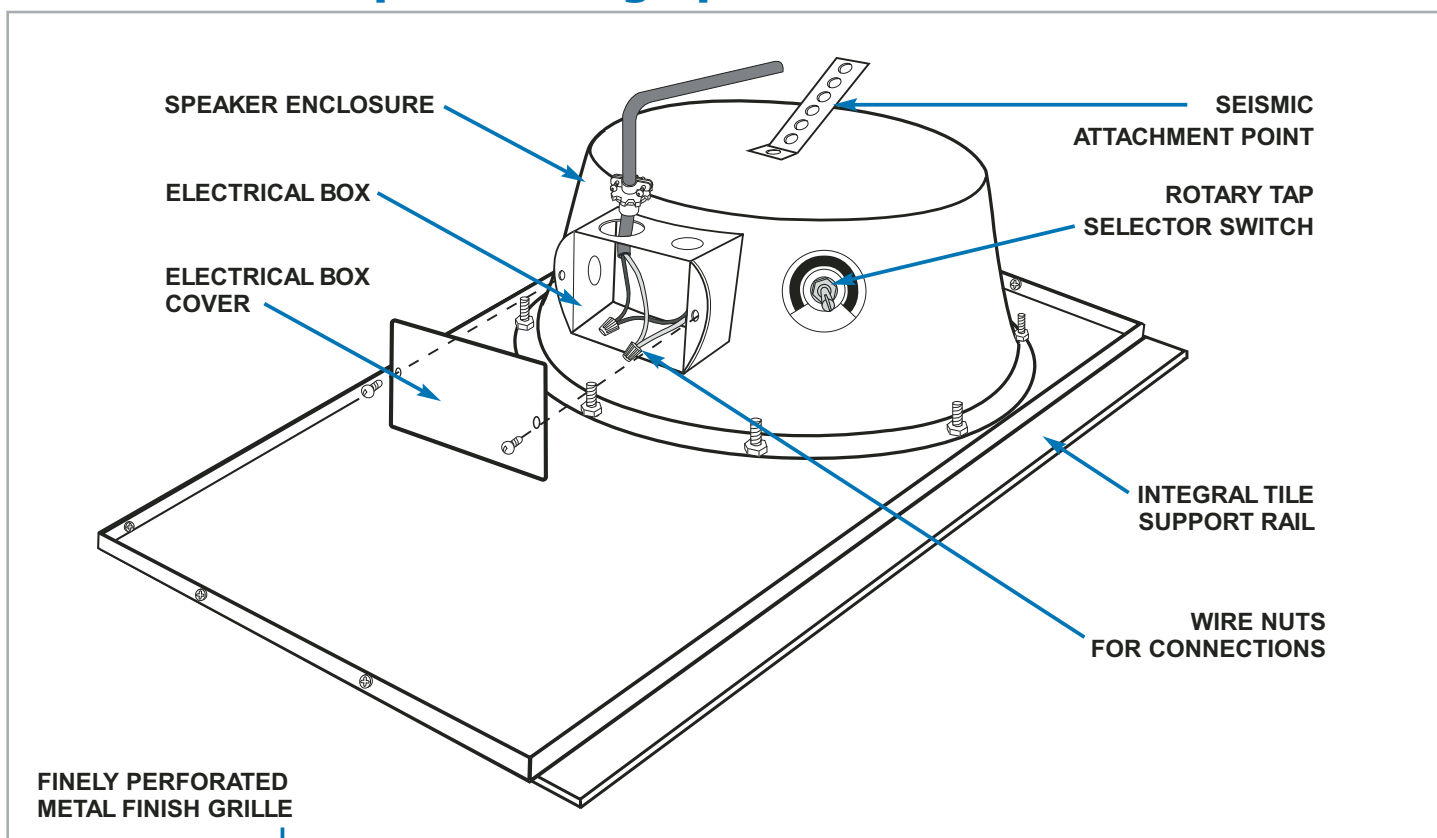
Bogen's Drop-In Ceiling Speaker is a full-range speaker that allows for fast and easy installation. Just make one simple cut to the ceiling tile and drop the CSD1X2 into place.

- One-piece assembly saves installation time, effort, and cost
- 1 ft. x 2 ft. finely perforated grille over the entire speaker front
- Fully enclosed, industrial grade steel construction
- Plenum-Rated — meets requirements of UL standard 2043 for smoke and heat release (report available online)
- 70V/25V, 5-watt transformer (5, 2, 1, .5, .25 watt) taps; selected by rotary switch
- 8" main cone with secondary high frequency cone
- Integral tile support rail
- For use with both 2 ft. x 4 ft. and 2 ft. x 2 ft. suspended tile ceilings
- Seismic attachment point



BOGEN®

CSD1X2 Drop-In Ceiling Speaker



SPECIFICATIONS

Frequency Response110 Hz - 20 kHz
SPL @ 1W / 1M 94 dB
Dispersion @ 2 kHz (6 dB down)100°
Cone Material & Surround Treated paper
Cones 8" main cone with secondary high frequency cone
Magnet Weight10 ounces
Connection Via wire nuts <i>(included in electrical box)</i>
Dimensions12 ⁷ / ₈ " W x 4 ³ / ₄ " H x 23 ³ / ₄ " D
Product Weight10 lb.

Architect and Engineer Specifications

The speaker shall be a Bogen Model CSD1X2. It shall be a one-piece steel assembly comprised of a damped high-compliance factory-mounted 8" loudspeaker, 70V/25V transformer, tile support rail, fully enclosed, and 1 ft. x 2 ft. non-reflective, white metal finish grille.

The unit shall include an 8" treated paper main cone with a secondary high frequency cone and a 10 ounce magnet.

Transformer shall have power taps of 5, 2, 1, .5, and .25 watts, selectable by rotary switch. Output shall be 94 dB @ 1 watt / 1 meter (min.). Frequency response shall be 110 Hz - 20 kHz (min.).

The speaker shall measure 12⁷/₈" W x 4³/₄" H x 23³/₄" D and weigh 10 lb.

BOGEN[®]
COMMUNICATIONS, INC.

50 Spring Street, Ramsey, NJ 07446, U.S.A.
Tel: 201-934-8500 Fax: 201-934-9832 www.bogen.com

Specifications subject to change without notice.
© 2004 Bogen Communications, Inc.
Part No. 54-9261-01A Printed in U.S.A. 0401