

ITEM NO	COLOR	LENGTH	1PCS/PE BAG	CTN
SVST-3MM	BLACK	915±20mm	08*6"*11"	80PC/CTN(46*/30*25CM)
SVST-10MM	BLACK	3050±50mm	08*7"*12"	30PC/CTN(46*/30*25CM)
SVST-25MM	BLACK	7650±60mm	08*9"*14"	80PC/CTN(46*/30*25CM)
SVST-50MM	BLACK	15250±100mm	08*14"*16"	20PC/CTN(46*/30*25CM)
SVST-75MM	BLACK	22875±100mm	08*18"*20"	xPC/CTN(46*/30*25CM)
SVST-100MM	BLACK	30500±100mm	08*18"*20"	xPC/CTN(46*/30*25CM)

NOTE:

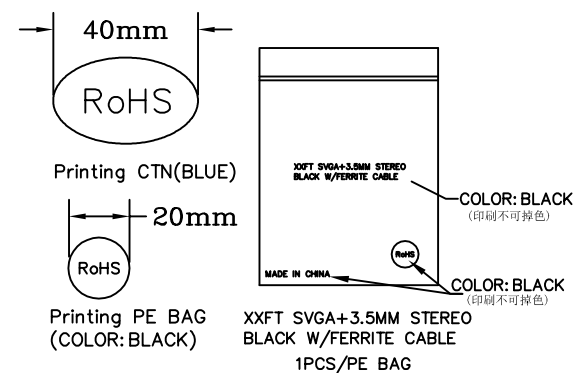
- CABLE; (A)28AWG(7/0.12TC),NON-UI,NON-FOIL,2C+S,OD=3.0±0.2mm,BLACK COLOR,PVC JACKET.  
(B)28AWG(7/0.12TC),UL2919,AL+D+B,[(28AWG\*1C+D+AL)\*3COAX+28AWG\*5.5PAIR]},OD=9.0±0.2mm.BLACK WITH EMBOSS,PVC JACKET.

- LENGTH:L.
- CONNECTORS:HDB15M\*2PCS(BLACK INSULATOR),3.5mm STEREO PLUG\*2PCS(三段式)(SHELL NICKEL).

- MOLD: MOLDING TYPE.
- SCREW:四方模螺絲\*4PCS.
- CONTACTS:

HDB15P	1	6	2	7	3	8	4	14	5	12	10	13	11	15	9	64			
HDB15P	1	6	2	7	3	8	4	14	5	12	10	13	11	15	9	64			
	RC	RG	BC	BG	GC	GG	PAIR		PAIR		PAIR		PAIR			SHELL			
																3.5mm STEREO PLUG(P1)	1	2	64
																3.5mm STEREO PLUG(P2)	1	2	64
																	PAIR		SHELL

- Test machine test condition.  
A.100% OPEN,SHORT&INTERMITANCE TEST.  
B.CONDUCTOR RESISTANCE:3ohms MAX:  
C.INSULATION RESISTANCE:5M Min/,10ms:  
8. ALL MUST BE MEET ON ROHS COMPLIANT.



COMPANY	MRP	ITEM NO.	SVST-3MM	NO	B			SCALE	
REVISION	DATE	DISCRPTION	DRAWN BY	SPEC			Stellar Labs Computer +	UNIT(mm)	
REV.A/0	2015.04.14		DESIGNED BY					PAGE	1/1
			APPROVAL						