

HDMI 4K2K LPCM 7.1 Extractor

Model 33-11685

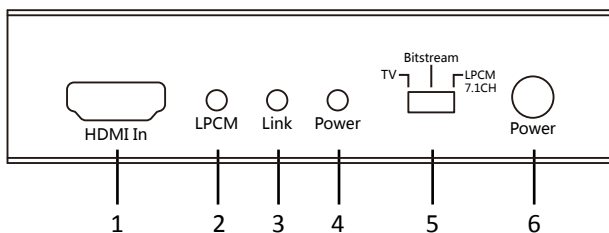
Quick Installation Guide

All brand names and trademarks are properties of their respective owners

1

OPERATION CONTROLS AND FUNCTIONS:

Front Panel:



1. HDMI IN:

This slot is to connect with source equipment such as Blu-ray/PS3 player with HDMI signal sending.

2. LPCM:

This LED will illuminate when the output audio EDID is switch to LPCM 7.1CH.

3. Link:

This LED will illuminate when input source is connected with HDMI signal.

4. Power:

This LED will illuminate when the unit is connected with power supply.

5. TV/Bitstream/LPCM 7.1CH:

This switch allows users to select the source's audio EDID.

- TV Mode: Switch to TV mode to use the HDMI output port's EDID, the audio supports up to LPCM 7.1 channels.
- Bitstream Mode: Switch to Bitstream mode to use the HDMI output port's EDID, the audio supports up to compressed audio 5.1 channels.
- LPCM 7.1CH Mode: Switch to LPCM 7.1 mode to use the HDMI output port's EDID, the audio supports up to LPCM 7.1 channels.

Note: Depending on the input audio format, the unit may not output audio through all output port. For Example, the optical output port will have no audio when the input audio format is more than LPCM 7.1CH.

6. Power:

Press this button to switch on the device or to set it into standby mode.

3

Introduction:

The HDMI 4Kx2K LPCM Extractor allows you to extract audio signals from your HDMI source. When connecting to a TV or display you don't always get the best audio, or in the case of a PC monitor, no audio at all. With this Audio Extractor you can take your original HDMI audio signal and convert it to digital optical or analog multi-channel audio. This means that you can output your audio signal to external speakers or extend your audio signal pathway. Meanwhile, when connecting a 4Kx2K display a true video will be performed without down grading the resolution.

APPLICATIONS:

- Game Entertainment on monitor
- Extend your audio signal
- Audio extraction for non-HDMI AV receivers or wider audio systems

PACKAGE CONTENTS:

- HDMI 4Kx2K LPCM 7.1 Extractor
- 5V Power Adaptor
- Operation Manual

SYSTEM REQUIREMENTS:

Input source equipment such as Blu-ray/PS3 player and output display (TV/monitor) and amplifier/active speakers with connection cables.

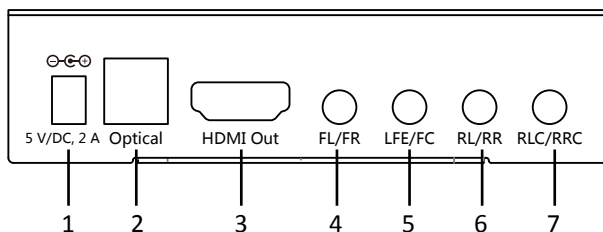
FEATURES:

- Compliant with HDMI, HDCP 1.2 and DVI 1.0
- Supports HDMI audio sampling rate up to 192 kHz
- Supports Optical S/PDIF audio sampling rate up to 192 kHz
- HDMI supports high-bit-rate (HBR) audio
- No HDMI output connection is required to receive audio at the analog and optical outputs
- Supports 4 x 3.5mm phone jack for analog multi-channel audio outputs
- Maximum input and output HDMI cable length can run up to 15 meters at 1080p 8-bit resolution or 10 meters at 1080p 12-bit resolution
- Supports built-in audio EDID switching among LPCM 7.1CH, TV (external) EDID, and Bitstream audio
- Supports CEC bypass
- Supports 4Kx2K resolution and 3D signal

Note: When displaying HDMI 4Kx2K signal, equivalent source signal, output display and HDMI cables are required in order to secure the best image display.

2

Back Panel:



1. DC 5V:

Plug with 5V DC power adaptor from the AC wall outlet for power supply.

2. Optical out:

Connect to audio equipment such as an amplifier or Hi-Fi system with an optical cable for digital audio output. Supports up to bitstream audio 5.1CH and LPCM 2CH..

3. HDMI out:

Connect to the display (TV/monitor) with an HDMI cable for video and audio signal output. For 4Kx2K or 3D image display, an equivalent standard display is required. No HDMI output connection is required to send audio through the analog and optical outputs.

4. FL/FR OUT:

Connect to audio equipment such as an amplifier or active speakers with 3.5mm phone jack cable for front left and front right audio outputs.

5. LFE/FC OUT:

Connect to audio equipment such as an amplifier or active speakers with 3.5mm phone jack cable for low-frequency effects/subwoofer and front center audio outputs.

6. RL/RR OUT:

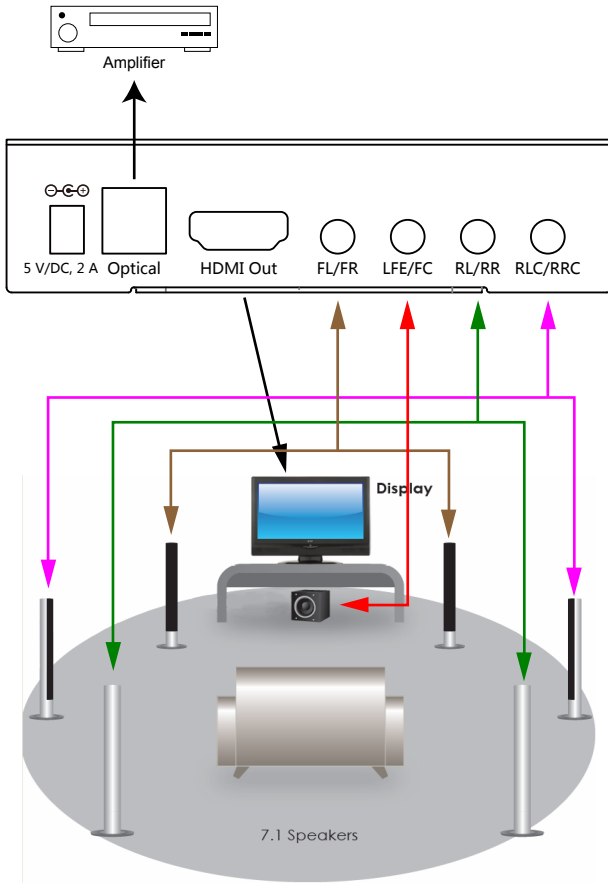
Connect to audio equipment such as an amplifier or active speakers with 3.5mm phone jack cable for rear left and rear right audio outputs.

7. RLC/RRC OUT:

Connect to audio equipment such as an amplifier or active speakers with 3.5mm phone jack cable for rear left center and rear right center audio outputs.

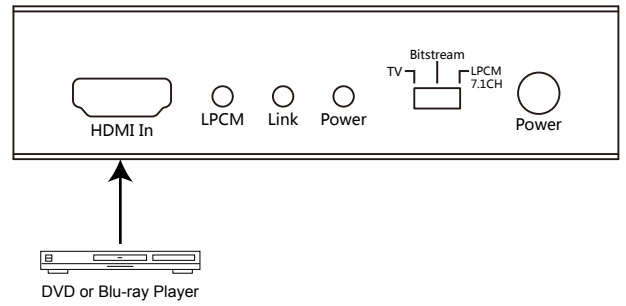
4

CONNECTION DIAGRAM:



5

CONNECTION DIAGRAM:



SPECIFICATIONS:

Video Bandwidth	300Mbps / 10.2Gbps
Input Ports	1 x HDMI
Output Ports	1 x HDMI, 1 x Optical, 4 x 3.5mm Phone Jack
HDMI Audio Sampling Rate	Up to 192 kHz
Optical S/PDIF Audio Sampling Rate	Up to 192 kHz
HDMI Audio Format	LPCM 2/5.1/7.1CH, Dolby Digital 2~5.1CH, DTS 2~5.1CH, Dolby Digital Plus, Dolby TrueHD, and DTS-HD Master Audio
Optical Audio Format	LPCM 2CH, Dolby Digital 2~5.1CH, and DTS 2~5.1CH
L/R Audio Format	4 x Phone Jacks Output Format 7.1 CH Analog Audio
Power Supply	5V@2A
Dimensions (mm)	95*82*24mm
Operating Temperature	0°C~40°C / 32°F~104°F
Storage Temperature	-20°C ~ 60°C / -4 °F ~ 140 °F

6

Warranty

This device is warranted against manufactures defects for a period of 1 year from the original date of purchase. This warranty covers all internal components and the cost of labor to either repair or replace the unit. This warranty covers only the unit, and does not cover connected equipment, or any loss that may occur, regardless of cause. It will be the sole discretion of MCM Electronics to determine the applicability of said warranty, and determination as to whether the unit will be repaired or replaced. Questions regarding application, use, or problems with this unit should be directed to MCM Electronics Tech Support, which can be found at www.mcmelectronics.com.

7

8