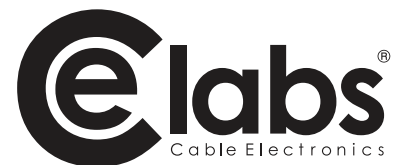
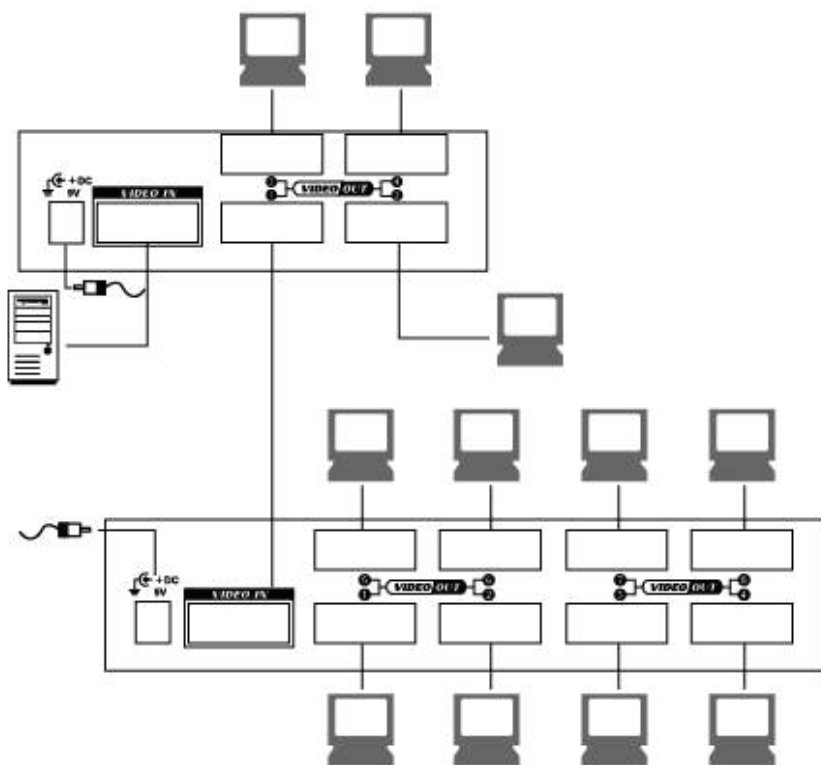


Operation for Cascade:

1. Displaying identical images on more monitors would require you to attach another splitter.
2. Connect the HD-15 male/male video extension cables between the "video out" port of the former splitter and the "video in" port of the latter splitter.

Note:

Even though you are allowed to cascade the splitter with various ports, the image might become unstable if you cascade more than six tiers of splitters.



Video Splitter VG41DA



Package Contents:

- 1 VG41DA Video Splitter
- 1 user manual
- 1 power adapter DC 12V 600mA

Please contact your vendor for any missing components.

Cable Electronics, Inc.

3209 Wood Dr.

Garland, TX 75041

(489) 429-9200 Fax (469) 429-9205

Introduction:

With the VG41DA video splitter, you can use one PC to display identical images on 2, 4, 8, 16 or more monitors.

Video splitter is ideal for:

- Test bench facilities
- Data Center
- Help desk
- Video broadcasting:
 - Presentation
 - Stock quotes
 - Timetables
 - Educational facilities

Features:

- With 400 MHz pixel frequency.
- Extends the video signal up to 65 meter (213 feet).
- Supports the DDC, DDC2, DDC2B. (For video out port 1)
- Can be cascaded.
- The output is compatible with standard VGA card.

| SPECIFICATIONS | |
|---------------------------------------|----------------------------------|
| Model | VG41DA |
| Video Input Connector (HD-15 Female) | 1 |
| Video Output Connector (HD-15 Female) | 4 |
| Max. Resolution | 2048 x 1536 60 Hz |
| Pixel Frequency | 400 MHz |
| Cable Distance (Device to Monitor) | 65 m (213 feet) Max. |
| Signal Type | VGA SVGA XGA QXGA UXGA Multisync |
| Power Adapter (Min.) | DC 12V 600mA |
| Housing | Metal |
| Weight | 455 g |
| Dimensions (LxWxH) | 130x75x42 mm |

| TECHNICAL SPECIFICATIONS | | | |
|--------------------------|---------------|-------|-----------------|
| Input/Output Signal | | | |
| Pin # | Signal | Pin # | Signal |
| 1 | Red video | 9 | NC |
| 2 | Green video | 10 | Ground |
| 3 | Blue video | 11 | ID0 |
| 4 | ID2 | 12 | ID1 |
| 5 | Ground | 13 | Horizontal Sync |
| 6 | Analog Ground | 14 | Vertical Sync |
| 7 | Analog Ground | 15 | ID3 |
| 8 | Analog Ground | | |

Front View:



1. Power LED

Rear View:



1. Input Power Jack
2. "Video In" Port
3. "Video Out" Port

Installation:

1. Turn off the PC and monitors.
2. Connect the HD-15 video extension cable between the PC and the "video in" port of splitter.
3. Connect the HD-15 video extension cables between the monitors and the "video out" ports of splitter.
4. Connect the power cord and turn on the splitter.
5. Turn on the PC and monitors.

Note:

- If you install the DDC monitor for the splitter, the rest of monitors must be the same resolution as the DDC monitor.
- Supported monitors include the VGA, SVGA, XGA, QXGA, UXGA, Multisync, and exclude the CGA, EGA, Mono.