

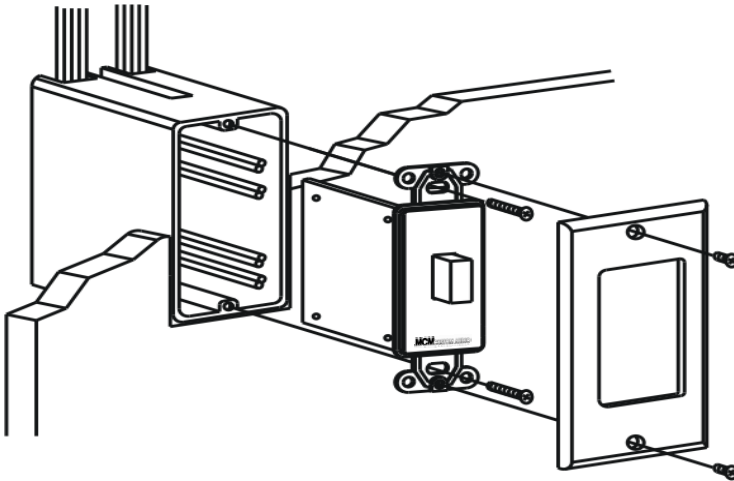
**A / B Source Selector**

---

**CAUTION** This amplifier selector switch is limited to a maximum of 50W RMS per channel. Exceeding that amount will cause permanent damage to the switch and could pose a potential fire hazard.

**SPECIFICATIONS**

1. Audio power handling ..... 100w peak music power
2. Frequency response..... $\pm 0.1$  dB , from 20 Hz to 20K Hz.
3. Switch type.....push switch.
4. Switch rating.....AC 250V , 0.5A.
5. Wire connector type.....screw type, wire range from 14 awg to 22 awg.



This switch is specifically designed for use with the MCM Custom Audio Amplified In-Wall-Volume Control Models 50-14825 and 50-14815. Its intended purpose is to allow a single pair of speakers to be connected to a whole house or other system, and be switched to this local sound source.

A-or-B switch operation prevents both amplifiers from being connected To the speaker pair at the same time. All connections are independent and isolated, including grounds, allowing compatibility with all types of amplifiers.

It occupies a single gang decora space and can be mounted directly Next to the volume control in a double gang electrical box, then covered with a standard white decora style plate.