

# TECHNICAL SPECIFICATIONS

Model	50-16617
Frequency Response	60Hz-20kHz
RMS Power	60W (30W Active / 30W Passive)
Impedance	8 Ohms
Sensitivity (1W/1m)	90dB
Type	Class D (Digital)
Woofers	6.5" Kevlar Woven Cone
Tweeter	0.75" Titanium Cone
Bluetooth System	Bluetooth V4.0
Wireless Range	Up to 10 metres
ID Device Name	BT Speaker
Power Requirements	AC Supply: AC 100-240V, 60/50Hz, 2A DC Input: DC 24V, 2.5A

## BLUETOOTH CONNECTION RESET BUTTON

Press and hold the RESET button for 2 seconds. The RESET button is located on the outer ring of the Bluetooth Ceiling Speaker. Once reset all previously paired devices will be removed and the speaker will be ready to pair with any new Bluetooth enabled device.

## TROUBLESHOOTING

If you have any questions or problems during the installation and operation of the Bluetooth Ceiling Speaker please refer to the troubleshooting help found below. Should your question or problem not be solved please contact your place of purchase.

**NOTE:** Please observe proper electrical wiring standards and should you doubt your understanding or have questions please consult a professional installer. ALWAYS switch power to the OFF position at the electrical MAINS powering your installation location prior to installation or troubleshooting.

**Q:** The Bluetooth Ceiling Speaker is not found during the Bluetooth pairing process.

**A:** Check the unit to ensure it is connected to power and that all wiring is correct. Check to see that the blue/red LED light found on the outer ring of the speaker is flashing. Press and hold the RESET button for 5 seconds. This will reboot and reset your Bluetooth Ceiling Speaker.

**Q:** Speaker fails to connect to the Bluetooth device.

**A:** Refer to the Connection Reset Button found above and retry the pairing process. Should the device prompt you for a password key in 0000 and pairing should complete. Ensure your Bluetooth device is within 5-10M of the Bluetooth Ceiling Speaker location.

**Q:** The Bluetooth device is connected to the Bluetooth Ceiling Speaker however there is no sound.

**A:** Check all signal wiring for proper connection and that there are no kinks or breaks in the wire. Adjust volume up and check to ensure that your device is not muted.

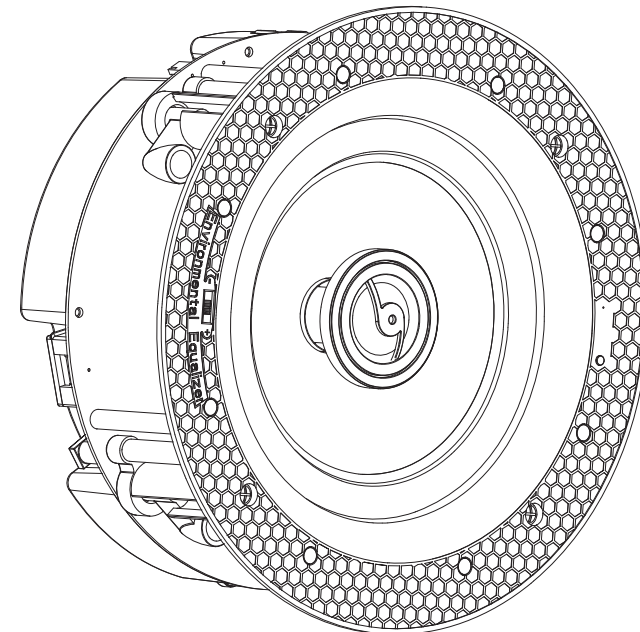
**Q:** Can the Bluetooth Ceiling Speaker be installed into a bathroom ceiling?

**A:** Unless you have purchased an IP-rated model (weather/dust/moisture) you should avoid installing the Bluetooth Ceiling Speaker in areas that will be in contact with moisture or higher than normal humidity.

# BLUETOOTH SPEAKER

# User Manual

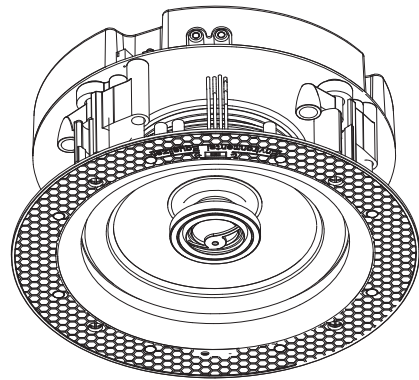
## 50-16617



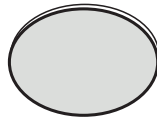
## BLUETOOTH SPEAKER SET

# PACKAGE CONTENTS

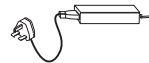
Please ensure you read the entire instruction manual carefully before you commence any work. Carefully unpack the speakers from the packaging. Please check to ensure all the parts shown below are included.



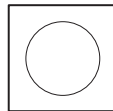
Active Bluetooth Speaker



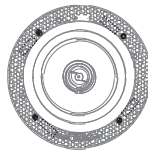
Speaker Grills



POWER ADAPTER



CUTTING TEMPLATE



Passive Speaker

# PREPARATION

Below you will find the tools and supplies used to properly install the Bluetooth Ceiling Speaker. Ensure proper safety at all times and have another individual assist you should you require help or use a ladder in the installation. A CUTTING TEMPLATE has been included in the box to assist you in your installation.



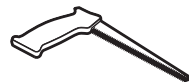
PENCIL



STUD FINDER



SCREWDRIVER



SAW



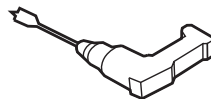
PROTECTIVE EYEWEAR



TAPE



MEASURING TAPE



DRILL



SPEAKER CABLE



WIRE CUTTERS

# KNOW YOUR SPEAKER

The Bluetooth Ceiling Speaker has a variety of inputs and outputs as shown in the diagram below:

**SPEAKER OUTPUT** - Your Bluetooth Ceiling Speaker is capable of powering a second passive/unpowered speaker (also known as a SLAVE).

**RCA INPUTS** - Connects your Bluetooth Ceiling Speaker to devices such as CD, DVD, TV, etc. that use RCA line outputs.

**POWER INPUT** - Connect the included Power Adapter to the Power Input as shown in the diagram below:

Connection Reset Button

LED Indicator

Pivoting Tweeter to  
Fine Tune Direction

Magnets for Cover (8)

Environmental Equalizer  
(+/-3db)

RCA Input

Built in Amplifier  
& Bluetooth Driver

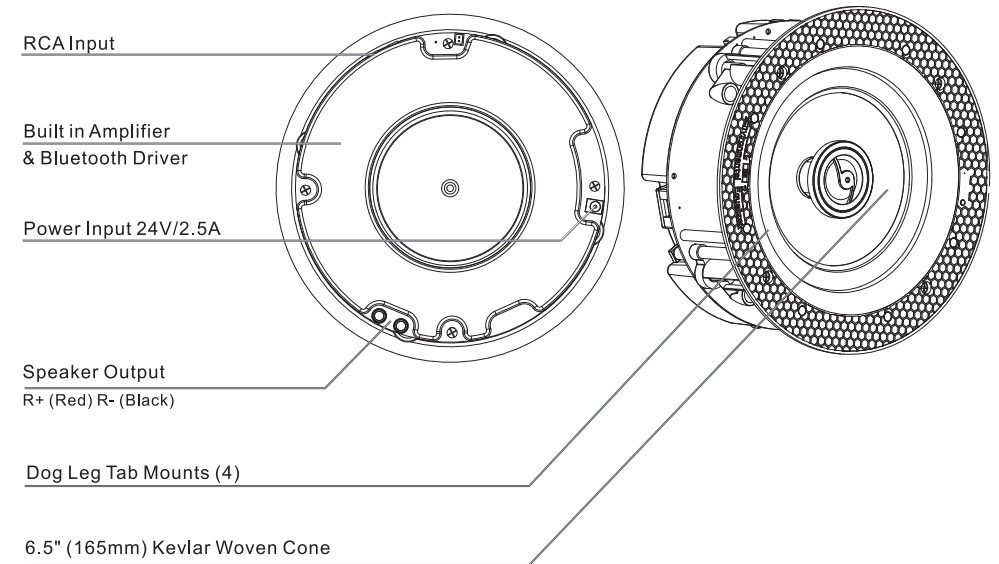
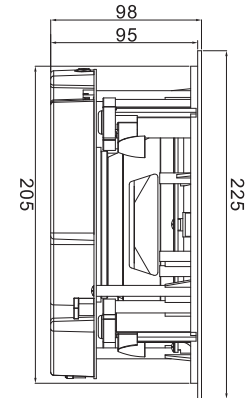
Power Input 24V/2.5A

Speaker Output  
R+ (Red) R- (Black)

Dog Leg Tab Mounts (4)

6.5" (165mm) Kevlar Woven Cone

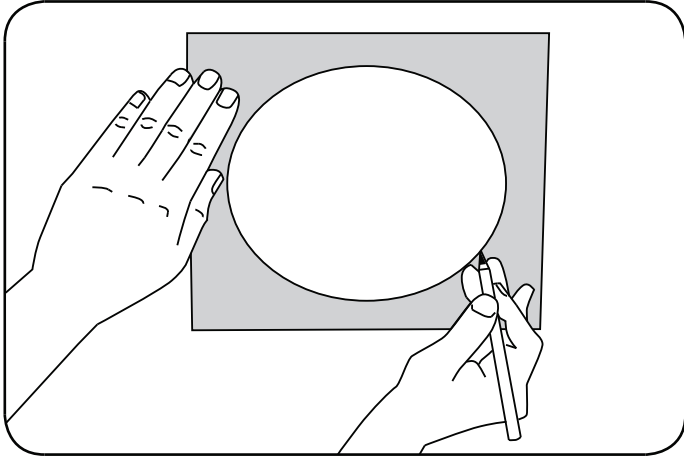
The active speaker has an installation depth of 3.8"



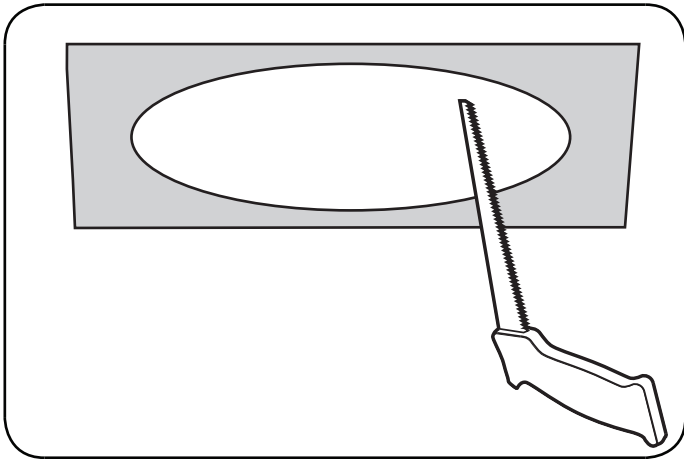
Built-in over and under voltage protection with advanced thermal cut-off and short circuit protection during amplifier operation. Should you have an electrical failure or wiring fault the amplifier will shut off automatically and restart once power has been properly restored.

# INSTALLATION

**IMPORTANT!** Before starting any installation ensure that ALL POWER has been switched to the OFF position at the MAINS of the installation location. Should you ever doubt or have questions regarding this or any part of the installation process contact a professional electrician or audio/video installer. Never attempt installing this product if you do not have the experience or do not understand the instructions. **Never install your Bluetooth Ceiling Speaker in an area where electrical wires exist!**

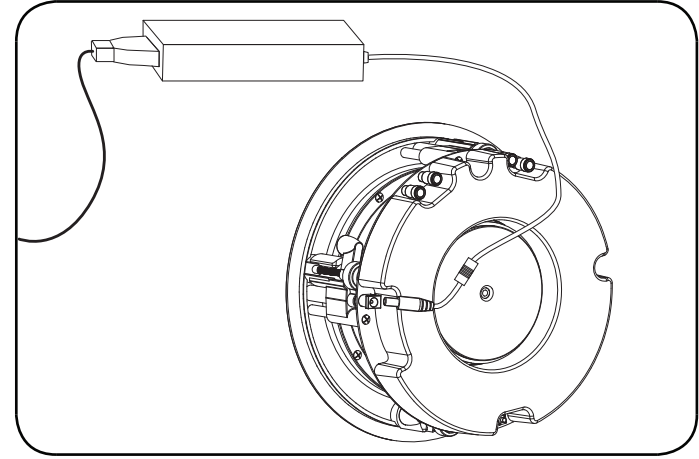


1. Using a tape measure and the included CUTTING TEMPLATE mark the location and area of wall surface that will be cut out. Use a stud finder to ensure there are no obstructions located behind the area you will be mounting your speaker. You can use painters or masking tape to hold your template in place prior to actually cutting into the surface. Use a standard pencil trace the inner area of your CUTTING TEMPLATE marking a circle area that will be removed.



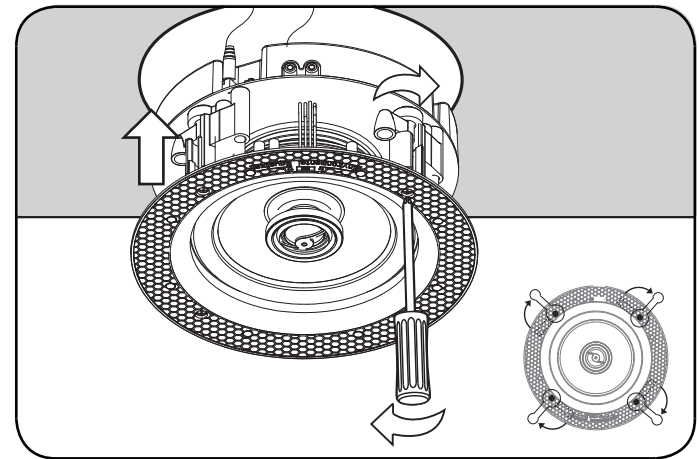
2. Drill a pilot hole into the center of the CUTTING TEMPLATE. Using a standard cutting saw carefully insert it into the drilled hole and begin sawing a line to the outside area of the template while making sure you do not go outside the penciled circle area. Take caution to keep your fingers away from the cutting blade and always wear eye protection.

**NOTE:** When choosing speaker placement, please note that on the rear of the active speaker, there is a switch that allows the user to select stereo or mono operation. If stereo is chosen, the active speaker will be left, and the passive speaker will be right. If mono is chosen, the both speakers will play a combined left and right signal.



3. Connect the power lead from the supplied power supply into the power input found on the rear of the ceiling speaker (noted on diagram). While installing the power, do not overstretch, kink, or pinch the wire.

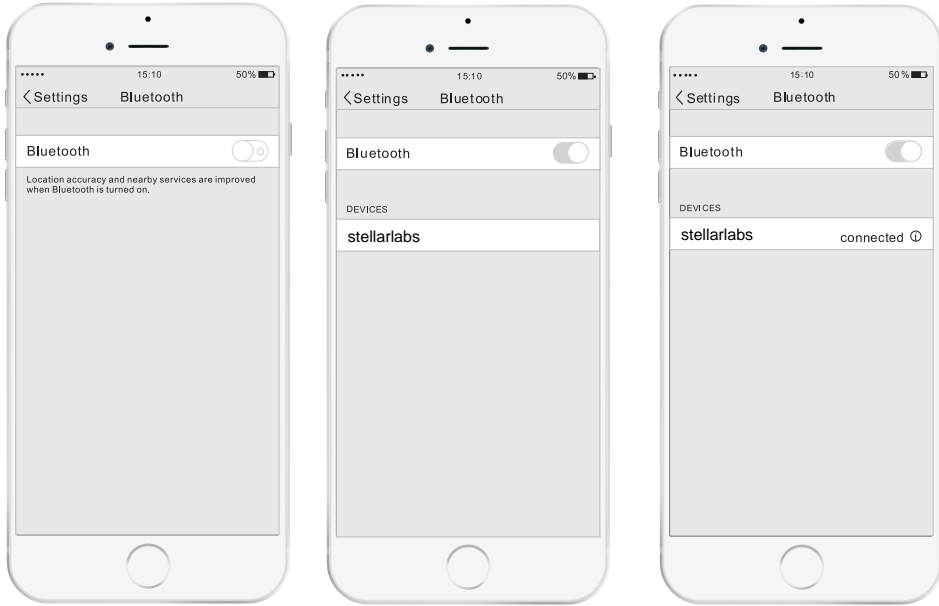
When installing the passive speaker, run speaker wire from the output on the active speaker to the input on the passive speaker.



4. Insert the speaker into the cut-out hole and using a screwdriver lock the 4 dog leg tab mounts securing the speaker in place. Do not forget any dog leg tab mounts or over-tighten during installation. Once secured, attach the magnetic grill to the front of the ceiling speaker.

# SETUP AND PAIRING

**NOTE:** Ensure the bluetooth wireless speaker is connected to the power supply and turned on.



1. Open the setting menu and select Bluetooth

2. Turn on Bluetooth and search devices

3. The Bluetooth speaker is now connected to your device ready to play your Music

# CONNECTING BLUETOOTH DEVICES

You can use your Bluetooth Ceiling Speaker with any Bluetooth enabled device including laptops, tablets, and smart phones. Follow the steps below to use the Bluetooth connection:

**FIRST CONNECTION:** When your Bluetooth Ceiling Speaker has been connected to DEVICE A (first device) it will not be visible to any other device for pairing. Another DEVICE B will not be able to search or control the speaker. DEVICE A must be disconnected before the Bluetooth Ceiling Speaker can pair to any device other than DEVICE A. DEVICE B can be paired and operate the speaker once DEVICE A no longer is paired.

**SECOND CONNECTION:** If DEVICE A is connected and has control, DEVICE B cannot connect to the Bluetooth Ceiling Speaker until DEVICE A disconnects, enabling DEVICE B to pair and gain control of the speaker.

**ADDITIONAL DEVICES:** Two devices can be simultaneously paired to the Bluetooth Ceiling Speaker, but only the 1st DEVICE paired will be in control of content, sound, and operation. Any additional devices can be paired as DEVICE A or DEVICE B disconnect.

**NOTE:** If your connection to speaker is lost, the device maybe out of range (>10m).

**NOTE: Bluetooth passcode is 5050**

# HARD WIRED RCA LINE INPUTS

**RCA CONNECTION (LEFT/RIGHT) See diagram below:** The RCA Line Inputs found on your Bluetooth Ceiling Speaker are used to provide audio signal to your speaker from devices that do not have Bluetooth connectivity. When using the RCA Line Inputs the music and sound content may experience louder or softer volume levels than when the Bluetooth Ceiling Speaker is operating in Bluetooth mode. This is normal and due Bluetooth technology, connectivity, and signal strength. Bluetooth devices previously connected to the Bluetooth Ceiling Speaker should be disconnected or shut off prior to using the RCA Line Input as the audio source.

