

User Installation and Assembly Instructions

All Weather Design Speakers

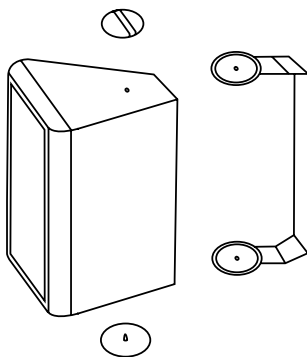
- Weatherproof high power two-way speaker systems.
- Speaker systems feature high impact plastic housings and aluminum grilles.
- Speakers include aluminum mounting brackets



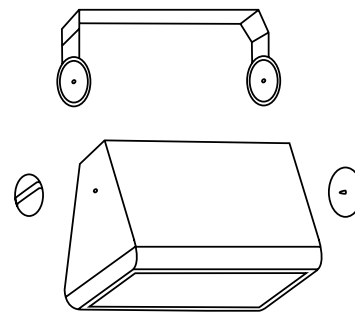
Installation

- Recommended wiring: 18 gauge copper wire (or heavier)
- Ensure that the speakers are installed on a surface sturdy enough to support their weight. Fasten properly & securely.
- Take into account the targeted listening area and potential safety hazards when choosing speaker installation and location.
- Speco Technologies assumes no liability for misinstalled speakers.
- Refer to below illustrations for assembly and installation instruction.

Vertical Installation



Horizontal Installation



AWD Outdoor Speakers Specifications

Model	SP-5AWD SP-5AWD-W	SP-5AWD/T SP-5AWD/T-W	SP-6AWD SP-6AWD-W	SP-6AWD/T SP-6AWD/T-W
Woofers	5.25" Polypropylene Coated Rubber Surround	5.25" Polypropylene Coated Rubber Surround	6.5" Mica Coated Rubber Surround	6.5" Mica Coated Rubber Surround
Tweeter	1/2" PEI Tweeter	1/2" PEI Tweeter	1" Mylar Tweeter	1" Mylar Tweeter
Frequency	60Hz-20kHz	60Hz-20kHz	54Hz-20kHz	54Hz-20kHz
SPL	88 db 1w/1m	88 db 1w/1m	89dB 1w/1m	89dB 1w/1m
RMS Wattage	40 Watt	40 Watt	50 Watt	50 Watt
Max Wattage	80 Watt	80 Watt	100 Watt	100 Watt
Impedance	8 ohms	8 ohms	8 ohms	8 ohms
Transformer		70V/25V (30W/ 15W/ 7.5W/ 3.75W)		70V/25V (30W/ 15W/ 7.5W/ 3.75W)

For more information regarding service or return, contact:

Speco Technologies 200 New Highway, Amityville, New York 11701 • Toll Free: 1-800-645-5516 • 631 957-8700