



Home Music System

User's Guide for Model HC225B v1303-01

For the most up-to-date version of this User's Guide, go to www.gpx.com

Safety Instructions & Warnings



WARNING: To reduce the risk of electric shock, do not remove cover (or back). No user-serviceable parts inside. Refer servicing to qualified service personnel.



The exclamation point within an equilateral triangle is intended to alert the user to the presence of important operating and maintenance (servicing) instructions in the literature accompanying the appliance.



The lightning flash with arrowhead symbol, within an equilateral triangle, is intended to alert the user to the presence of uninsulated "dangerous voltage" within the product's enclosure that may be of sufficient magnitude to constitute a risk of electric shock to persons.



This symbol indicates that this product incorporates double insulation between hazardous mains voltage and user accessible parts.



This product utilizes a Class 1 laser to read Compact Discs. This laser Compact Disc Player is equipped with safety switches to avoid exposure when the CD door is open and the safety interlocks are defeated. Invisible laser radiation is present when the CD Player's lid is open and the system's interlock has failed or been defeated. It is very important that you avoid direct exposure to the laser beam at all times. Please do not attempt to defeat or bypass the safety switches.

WARNING: DO NOT INGEST BATTERY, CHEMICAL BURN HAZARD.

Important Safety Instructions

- Read these Instructions.
- Keep these Instructions.
- Heed all Warnings.
- Follow all instructions.
- Do not use this apparatus near water.
- Clean only with a dry cloth.
- Do not block any ventilation openings. Install in accordance with the manufacturer's instructions.
- Do not install near any heat sources such as radiators, heat registers, stoves, or other apparatus (including amplifiers) that produce heat.
- Do not defeat the safety purpose of the polarized or grounding - type plug. A polarized plug has two blades with one wider than the other. A grounding type plug has two blades and a third grounding prong. The wide blade or the third prong are provided for your safety. When the provided plug does not fit into your outlet, consult an electrician for replacement of the obsolete outlet.
- Protect the power cord from being walked on or pinched particularly at plugs, convenience receptacles, and the point where they exit from the apparatus.
- Only use attachments/accessories specified by the manufacturer.
- Unplug this apparatus during lightning storms or when unused for long periods of time.
- Refer all servicing to qualified service personnel. Servicing is required when the apparatus has been damaged in any way, such as power-supply cord or plug is damaged, liquid has been spilled or objects have fallen into the apparatus, the apparatus has been exposed to rain or moisture, does not operate normally, or has been dropped.
- Use only with a cart, stand, tripod, bracket, or table specified by the manufacturer, or sold with the apparatus. When a cart is used, use caution when moving the cart/apparatus combination to avoid injury from tip-over.



FCC Warnings

Warning: Changes or modifications to this unit not expressly approved by the party responsible for compliance could void the user's authority to operate the equipment.

NOTE: This equipment has been tested and found to comply with the limits for a Class B digital device, pursuant to Part 15 of the FCC Rules. These limits are designed to provide reasonable protection against harmful interference in a residential installation. This equipment generates, uses, and can radiate radio frequency energy and, if not installed and used in accordance with the instructions, may cause harmful interference to radio communications. However, there is no guarantee that interference will not occur in a particular installation. If this equipment does cause harmful interference to radio or television reception, which can be determined by turning the equipment off and on, the user is encouraged to try to correct the interference by one or more of the following measures:

- Reorient or relocate the receiving antenna.
- Increase the separation between the equipment and receiver.
- Connect the equipment into an outlet on a circuit different from that to which the receiver is connected.
- Consult the dealer or an experienced radio/TV technician for help.

Additional Warnings and Precautions

- **CAUTION:** TO PREVENT ELECTRIC SHOCK, MATCH WIDE BLADE OF PLUG TO WIDE SLOT, FULLY INSERT.
AVIS: AFIN DE PRÉVENIR LES CHOC ÉLECTRIQUES, FAITES CORRESPONDRE LA FICHE BLANCHE DE LA PRISE À LA FENTE LARGE, INSÉREZ TOTALEMENT.
- **WARNING:** To reduce the risk of fire or electric shock, do not expose this apparatus to rain, moisture, dripping, or splashing.
AVIS: Pour réduire le risque d'incendie ou de choc électrique, n'exposez pas cet appareil à la pluie ou l'humidité ou aux éclaboussures.
- **CAUTION:** Use of controls or adjustments or performance of procedures other than those specified may result in hazardous radiation exposure.
AVIS: L'utilisation de commande ou l'exécution de procédures autres que celles spécifiées ici peuvent aboutir à une exposition à des radiations dangereuses.
- **WARNING:** Changes or modifications to this unit not expressly approved by the party responsible for compliance could void the user's authority to operate the equipment.
AVIS: Des changements ou des modifications sur ce produit non expressément approuvés par la partie responsable de la conformité peut annuler le droit de l'utilisateur d'utiliser cet équipement.
- **WARNING:** Do not place this unit directly onto furniture surfaces with any type of soft, porous, or sensitive finish. As with any rubber compound made with oils, the feet could cause marks or staining where the feet reside. We recommend using a protective barrier such as a cloth or a piece of glass between the unit and the surface to reduce the risk of damage and/or staining.
AVIS: Ne placez pas cette unité directement sur des surfaces de meubles dont la finition serait douce, poreuse ou sensible. Car, comme tout composé caoutchouc a base d'huiles, les pieds pourraient laisser des traces ou des taches à l'endroit où ils sont posés. Nous recommandons d'utiliser une protection comme un linge ou un morceau de verre entre l'unité et la surface pour réduire le risque de dégât et/ou de tache.
- **WARNING:** Use of this unit near fluorescent lighting may cause interference regarding use of the remote. If the unit is displaying erratic behavior move away from any fluorescent lighting, as it may be the cause.
AVIS: L'utilisation de cette unité en présence de lumières fluorescentes peut causer des interférences lors de l'utilisation de la télécommande. En cas de dysfonctionnement, éteignez les sources de lumière fluorescentes, car celles-ci pourraient en être la cause.
- **CAUTION:** Danger of explosion if battery is incorrectly replaced. Replace only with the same or equivalent type.
AVIS: Un danger d'explosion est présent lorsque les piles sont remplacées de manière incorrecte. Remplacez seulement les piles par des piles de type équivalent.
- **WARNING:** There is a danger of explosion if you attempt to charge standard Alkaline batteries in the unit. Only use rechargeable NiMH batteries.
AVIS: Charger des piles alcalines dans l'unité peut causer une explosion. Utilisez seulement des piles rechargeables NiMH.
- **WARNING:** The remote control's button cell battery contains mercury. Do not put in the trash, instead recycle or dispose of as hazardous waste.
AVIS: Les piles boutons de la télécommande contiennent du mercure. Ne les jetez pas à la corbeille, recyclez-les ou disposez-les comme des déchets dangereux.
- **WARNING:** Lithium batteries, like all rechargeable batteries, are recyclable and should be recycled or disposed of in normal household waste. Contact your local government for disposal or recycling practices in your area. They should never be incinerated since they might explode.
AVIS: Les piles Lithium ion, comme toutes les autres piles rechargeables, sont recyclables et doivent être étiquetées avec vos déchets ménagers. Contactez votre municipalité pour obtenir des conseils sur les moyens de disposition et de recyclage dans votre région. N'incinerez pas vos piles, car celles-ci peuvent exploser.
- **WARNING:** Shock hazard - Do Not Open.
AVIS: Risque de choc électrique - ne pas ouvrir
- Caution and marking information is located at the rear or bottom of the apparatus.
Attention et de marquage des informations est situé sur le panneau arrière ou inférieur de l'unité.
- Objects filled with liquids, such as vases, shall not be placed on the apparatus.
Objets remplis de liquides, comme des vases, ne doivent pas être placés sur l'appareil.
- Mains plug is used as disconnect device and it should remain readily operable during intended use. In order to disconnect the apparatus from the mains completely, the mains plug should be disconnected from the mains socket outlet completely.
La prise du secteur est utilisée pour déconnecter le système. La prise du secteur ne doit pas être obstruée ou doit être facilement accessible pendant son utilisation. Pour être complètement déconnecté de l'alimentation d'entrée, la prise doit être débranchée du secteur.
- Battery shall not be exposed to excessive heat such as sunshine, fire or the like.
Les piles ne doivent pas être exposées à de forte chaleur, tel qu'à la lumière du soleil, au feu ou autres choses de semblable.
- This product is supplied with a coin/button cell battery. If the coin/button cell battery is swallowed, it can cause severe internal burns and can lead to death.
Ce produit est livré avec une pile pièce / touche. Si la pile pièce / bouton est avalé, il peut causer des brûlures internes graves et peut conduire à la mort.
- Keep new and used batteries away from children. If the battery compartment does not close securely, stop using the product and keep it away from children.
Gardez les piles neuves et d'occasion à partir des enfants. Si le compartiment de la batterie ne pas fermer correctement, cesser d'utiliser le produit et garder loin des enfants.
- If you think batteries might have been swallowed or placed inside any part of the body, seek immediate medical attention.
Si vous pensez que les batteries peuvent avoir été avalé ou placé à l'intérieur d'une partie du corps, consulter immédiatement un médecin.
- Do not mix old and new batteries.
Ne pas mélanger vieilles et nouvelles batteries.
- Completely replace all old batteries with new ones.
Remplacer complètement toutes les piles par des neuves.
- Do not mix alkaline, standard (carbon-zinc), or rechargeable (ni-cad, ni-mh, etc) batteries.
Ne mélangez pas des piles alcalines, standard (carbone-zinc) ou rechargeables (Ni-Cd, Ni-MH, etc) batteries.
- Batteries should be recycled or disposed of as per state and local guidelines.
Piles doivent être recyclées ou éliminées selon les directives étatiques et locales.

Your Home Music System

Features

- 2 channel stereo sound
- Top-load CD player: CD, CD-R/RW
- Digital AM/FM radio with built in antenna
- Aux in (3.5mm audio input)
- Programmable tracks
- LCD display with white backlight
- Dimmer control
- Single alarm
- Sleep timer
- Remote with CD controls
- Detachable stereo speakers
- AC power: built-in AC power cable
- Battery backup: requires 2 AAA batteries (not included)

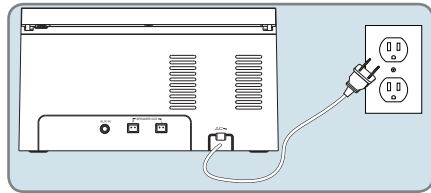
Includes

- Remote control with pre-installed CR2025 battery

Setup

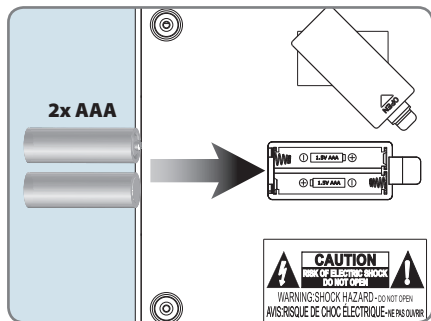
Connecting the Speakers

Connect the included speakers to the SPEAKER OUTPUT on the back of the music system. The speaker to the right side of the music system should be plugged into the output labeled "R". The left speaker should be plugged into the output labeled "L".



Power

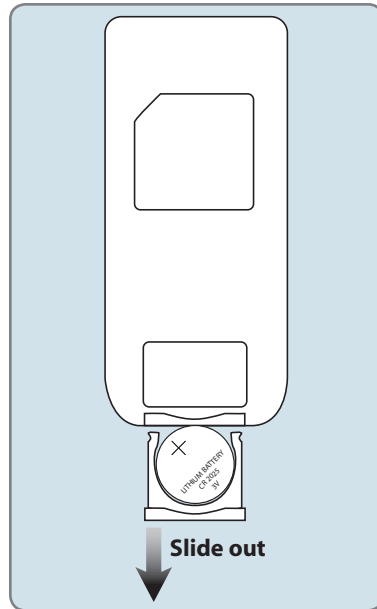
Plug the power cord into a standard wall outlet.



Battery Backup

Requires 2 AAA-size batteries (not included)

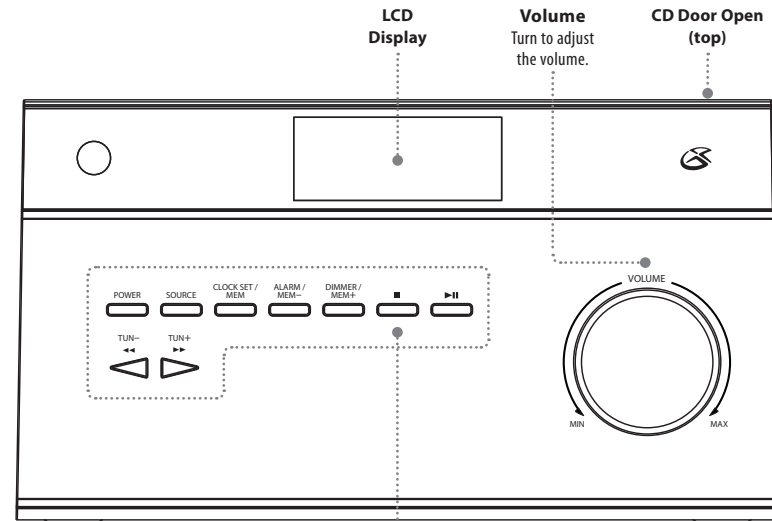
The battery backup is intended for short power outages only. The unit's primary functions cannot run off of the battery backup alone.



Remote

Requires 1 CR2025 button cell battery (included).

Orientation



Power

Press to power the music system off or on.

Source

Press to change the media source.

Clock Set/Mem

With the unit off, press to set the clock. Press to program the radio memory presets.

Alarm/Mem-

With the unit off, press to set the alarm. Press to cycle down through radio memory presets.

Dimmer/Mem+

Press and hold to set the display dimmer. Press to cycle up through radio memory presets.

Play/Pause

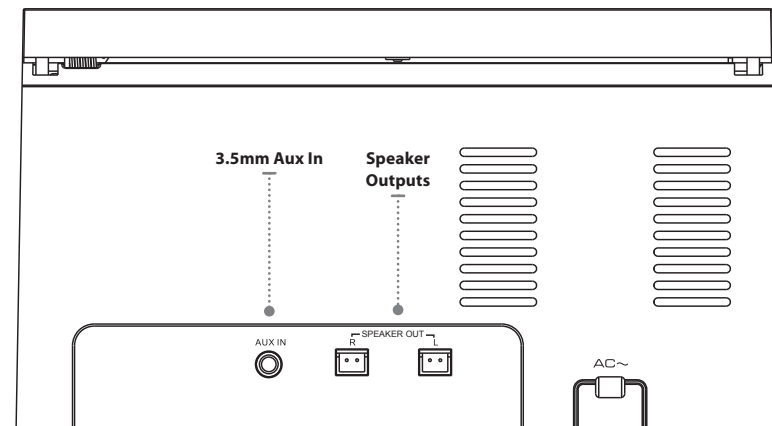
Press to play or pause a loaded CD.

Tuning

Turn to adjust the AM or FM radio station.

Stop

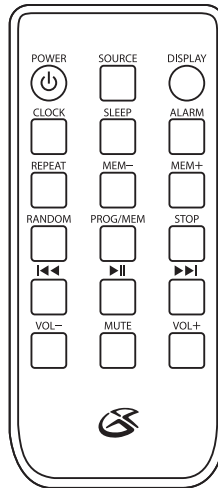
Press to stop a CD during play.



Orientation

Remote

- Power**
Press to power the unit on or off.
- Source**
Press to change the media source.
- Clock**
With the unit off, press to set the clock.
- Sleep**
Press to set the sleep timer.
- Repeat**
Press to set an audio track to repeat.
- Random**
Press to play audio tracks at random.
- Prog/Mem**
Press to program memory presets.
Press to program a loaded CD.



- Mute**
Press to mute the volume.
- Display**
Press to change the display from media to clock.
- Alarm**
Press to set the alarm.
- Mem +/-**
Press to cycle through radio memory presets.
- Stop**
- Skip Rev/Fwd**
- Play/Pause**

Clock & Alarm

Setting the Clock

- With the unit powered off, press the **Clock Set/Mem** button on the front of the unit, or the **Clock** button on the remote. The hour will begin flashing on the display.
- Press the **Tuning** buttons on the front of the unit, or the **Skip Rev/Fwd** buttons on the remote to set the hour.
- Press the **Clock Set/Mem** or **Clock** button again. The minutes will begin flashing on the display.
- Repeat **Step 2** to set the minutes.
- Press the **Clock Set/Mem** or **Clock** button again to finish setting the time.

Setting the Sleep Timer

- With the unit powered on, press the **Sleep** button on the remote. The display will show the amount of time in minutes before the timer goes off.
- Press the **Sleep** button to select the amount of time before the timer goes off: 90 minutes, 80, 70, etc.
- Wait for the display to return to normal. "Sleep" will be visible towards the bottom of the display when the timer is on.
- To turn the Sleep Timer off, perform Step 2 until the display reads "OFF".

Setting the Alarm

- With the unit powered off, press the **Alarm** button, on the front of the unit, or the remote. The hour will begin flashing on the display.
- Press the **Tuning** buttons on the front of the unit, or the **Skip Rev/Fwd** buttons on the remote, to set the hour.
- Press the **Alarm** button again. The minutes will begin flashing on the display.
- Repeat **Step 2** to set the minutes.
- Press the **Alarm** button again to set the alarm type: The alarm type will begin flashing on the display.
- Repeat Step 2 to set the alarm type: Radio, CD or Buzzer.
- Press the **Alarm** button again to finish setting the alarm.

Cancelling/Deactivating the Alarm

- After the alarm has sounded, press the **Alarm** button to cancel it.
- Press and hold the **Alarm** button to turn it off entirely. The alarm indicator on the display will disappear.

CD, Radio & 3.5mm Aux In

Loading and Playing a CD

Note: This unit is not compatible with MP3 CDs.

- Press the **Source** button to switch to **CD mode**.
- Open the Disc door.
- Load a CD or CD-R/RW disc into the unit, label side facing up.
- Close the Disc door.
- Press the **Play/Pause** button to begin playing the loaded CD. Press the **Skip/Search** buttons to cycle through different tracks.

Programming a CD

- Press the **Stop** button to stop the CD.
- Press the **Prog/Mem** button on the remote.
- Press the **Skip/Search** buttons to select a track from the loaded CD to play first.
- Press the **Prog/Mem** button again.
- Repeat steps 3 and 4 to program tracks from the loaded CD to play in the order they are selected.
- Press the **Play/Pause** button to begin playing the programmed CD.
- Press the **Stop** button twice to cancel the program.

AM/FM Radio

An AM/FM antenna is built into the music system. Adjust the position of the unit to adjust radio reception.

- Press the **power** button to turn the player on.
- Press the **Source** button to switch to **FM or AM** radio mode.
- Press the **Tuning/REV/FWD** buttons to adjust to a radio station.

Programming Radio Stations

- With the unit on and in AM or FM mode, press the **Tune +/-** buttons to adjust to a radio station.
- Press the **Prog/Mem** button on the remote.
- Press the **Mem +/-** buttons to select a preset number. Up to 20 stations may be preset.
- Press the **Prog/Mem** button on the remote to save the stations.
- Use the **Mem +/-** buttons to cycle through your memory presets.

3.5mm Aux In

Requires a 3.5mm audio cable (not included)

- Connect a 3.5mm audio cable to the **Aux In** on the unit and the **audio output/headphone jack** on a media player.
- Press the **Source** button to switch to **Aux** mode.
- Use the controls on the connected device to select and play audio.

Company Information

Contact Information

Website: www.gpx.com

Email Support: prodinfo@dpiinc.com

Email Parts: partsinfo@dpiinc.com

Phone Support: 1-888-999-4215

Warranty

For Warranty Information and the most up-to-date version of this User's Guide, go to: www.gpx.com

International Support

To download this User's Guide in English, Spanish, and French, or to get answers to frequently asked questions, visit the support section at: www.gpx.com

Para descargar este Manual del Usuario en inglés, español y francés, o para obtener respuestas a preguntas frecuentes, visite la sección de apoyo en: www.gpx.com

Pour télécharger ce guide de l'utilisateur en anglais, espagnol ou français, ou pour obtenir des réponses à des questions fréquemment posées, consultez la rubrique d'assistance sur: www.gpx.com



***Protect for Today
Sustain for Tomorrow***

Copyright © 2015 Digital Products International (DPI, Inc.) All other trademarks appearing herein are the property of their respective owners. Specifications are subject to change without notice.