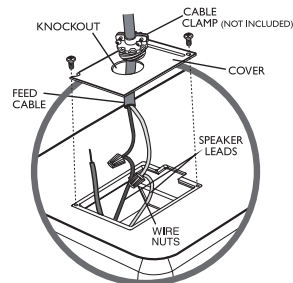
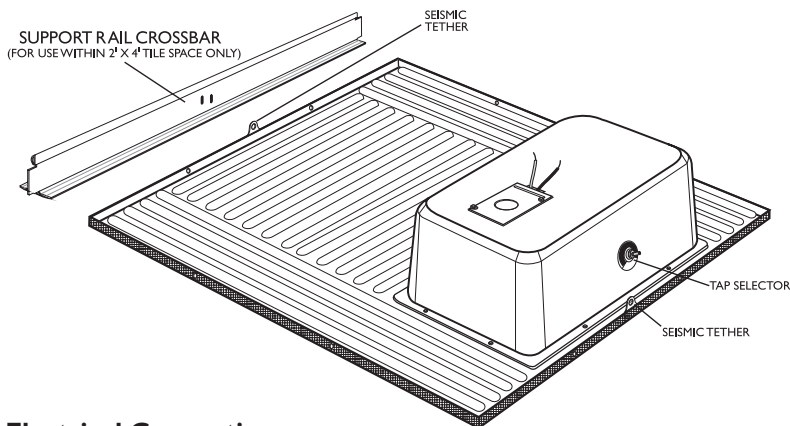


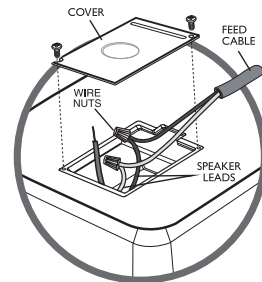
Model CSD2X2 Drop-In Ceiling Speaker

70V & 25V Speaker Systems

BOGEN®



OR



Electrical Connection

1. Remove cover, install cable clamp (if desired), and feed interconnecting cable into the electrical box.
2. Select speaker leads for desired system type:
70V - Red, 25V - Yellow, and COM - Black for both.
Interconnect the speakers in the system, making sure that all leads of the same color are connected together.
Avoid swapping colors.
3. Cut bare wire tip off of unused speaker lead. Secure all mechanical connections and re-install the cover.
4. Set tap selector switch to proper tap setting.

Ceiling Installation

2ft. x 2ft. Tile Space

Drop ceiling speaker into space (crossbar unnecessary).

2ft. x 4ft. Tile Space

Cut ceiling tile no more than 23-3/4". Place speaker in ceiling with the tile support rail crossbar facing the ceiling tile opening. Drop in the tile.

| Lead | Color |
|------|--------|
| 70V | Red |
| 25V | Yellow |
| COM | Black |



Control # 3074231

2-YEAR WARRANTY

The CSD2X2 is warranted to be free from defects in material or workmanship for two (2) years from the date of sale to the original purchaser. This warranty does not extend to any of our products that have been subjected to abuse, misuse, improper storage, neglect, accident, improper installation or have been modified or repaired or altered in any manner whatsoever, or where the serial number or date code has been removed or defaced.

BOGEN®
COMMUNICATIONS, INC.

50 Spring Street, Ramsey, NJ 07446, U.S.A
Tel. 201-934-8500, Fax: 201-934-9832, www.bogen.com
Specifications subject to change without notice
© 2005 Bogen Communications, Inc.
54-2113-01C Made in China