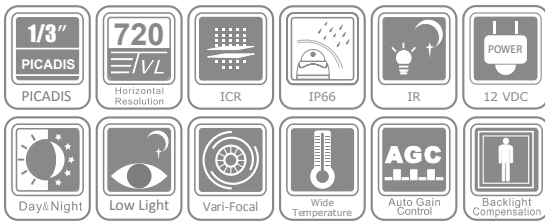


DS-2CE55C2N-VFIR3

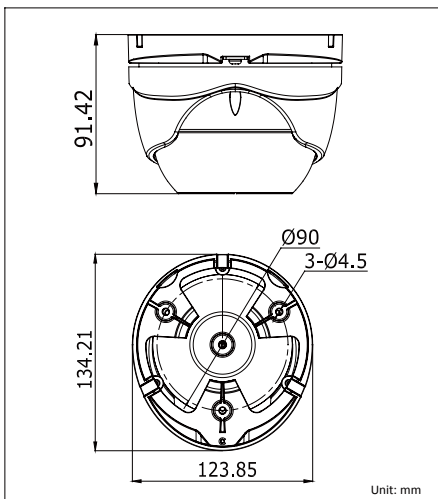
PICADIS 720TVL Vari-focal IR Cameras



Key features

- 1/3" PICADIS
- True Day/Night
- 720 TVL Horizontal Resolution
- 2.8 ~ 12mm Vari-focal Lens
- Up to 130ft IR distance
- Wide Operating Temperature Range: -40°C to 60°C(-40°F to +140°F)

Dimensions



Specifications

DS-2CE55C2N-VFIR3	
Camera	
Image sensor	1 / 3" PICADIS
Signal system	NTSC
Effective pixels	1280(H) × 960(V)
Min. illumination	0.14Lux @ (F1.4,AGC ON), 0 Lux with IR
Shutter speed	NTSC: 1 / 30 s to 1 / 15,000 s
Lens	2.8-12mm @ F1.4 Angle of view: 80° - 27.2°
Lens mount	Φ14
Angle adjustment	Pan: 0 - 360°, Tilt: 0 - 75°, Rotation: 0 - 360°
Day & night	IR cut filter with auto switch
Horizontal resolution	720 TVL
Synchronization	Internal synchronization
Video output	1Vp-p composite output (75 Ω / BNC)
S / N ratio	More than 52 dB
BLC	On
General	
Working temperature	-40 °C - 60 °C (-40 °F - 140 °F)
humidity	Humidity 90% or less (non-condensing)
Power supply	12 V DC ± 10%
Power consumption	4W Max (6.5W max with IR cut filter on)
Ingress protection level	IP66
IR range	100 to 130 ft max
Dimensions	134.21 × 123.85 × 91.42mm (5.28" × 4.88" × 3.60")
Weight	1350g (2.97 lbs)

Available models

DS-2CE55C2N-VFIR3