

# Modular Raspberry Pi Model B+ Case



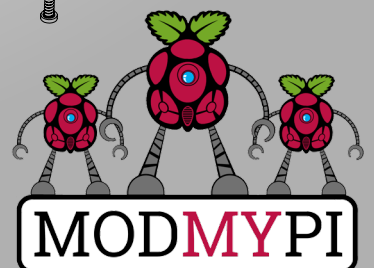
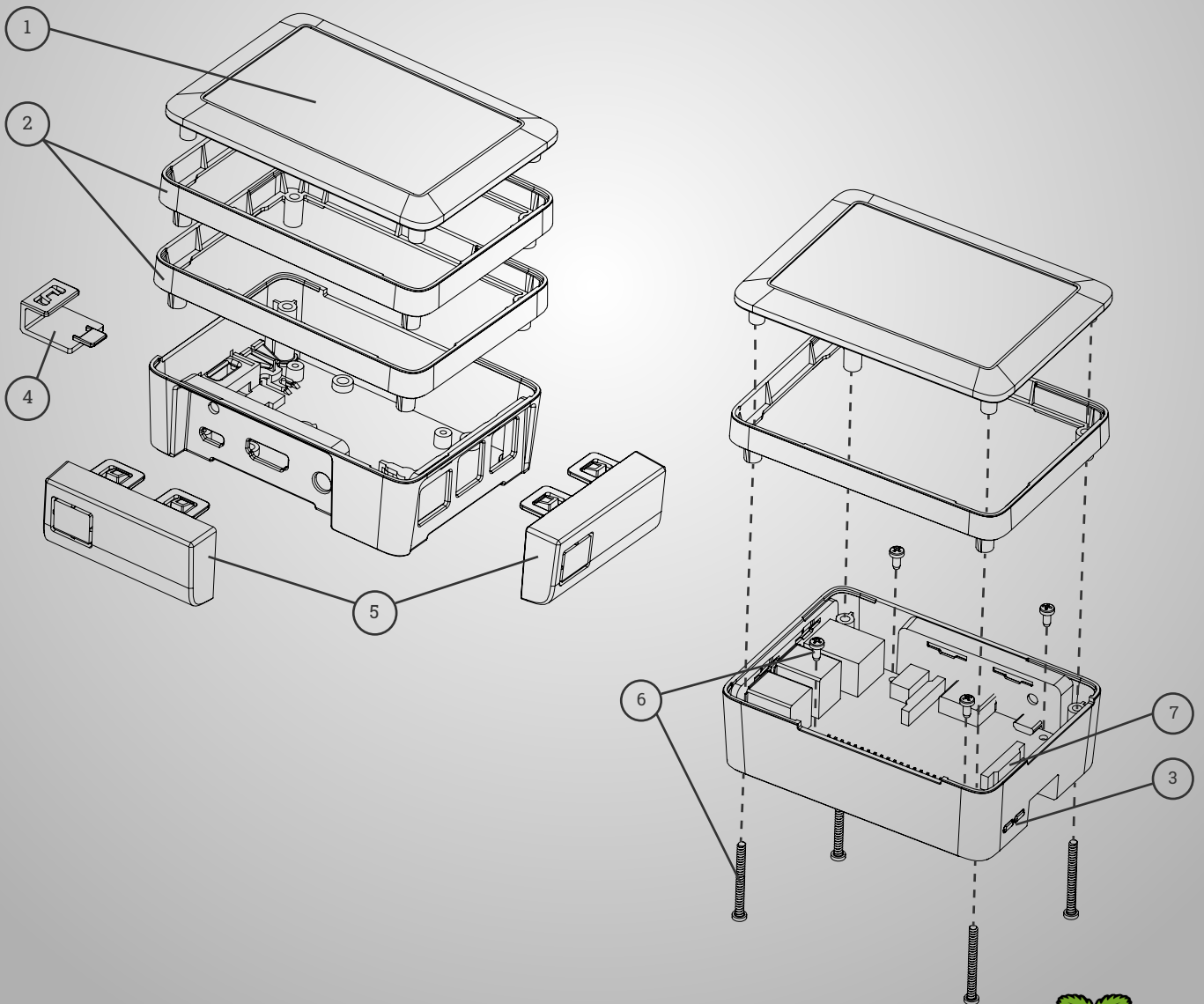
# Modular Raspberry Pi Model B+ Case

## Product Introduction

New from ModMyPi & Cyntech - The Modular Raspberry Pi Model B+ case!

Our new deluxe Raspberry Pi Model B+ case is a fully customisable and adaptable modular unit aimed to suit a range of Raspberry Pi applications. Designed with a stealth look and integrated LED lights pipes (3), it's the perfect accessory to any Raspberry Pi enthusiast's tool kit!

In addition to looking great, the Modular Case comes equipped with a range of customisable modular features including optional optical window (1), stackable 10mm spacer plates (2), SD card cover (4), dual-use USB & HDMI security shroud (5), secure screw locking (6), and internal SD card holder (7).



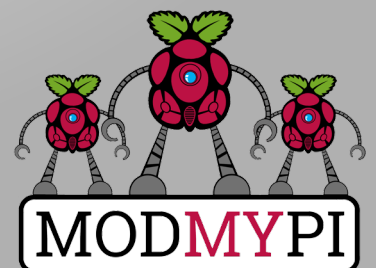
# Modular Raspberry Pi Model B+ Case

## Product Introduction

The Basic Modular Raspberry Pi Case is a highly durable, two part, screw lock plastic case with a range of features as standard. Even if add-ons are not utilised, the stand alone unit is designed to accommodate even the most demanding Raspberry Pi user.

### Basic Features List

- Raspberry Pi Model B+ Two Part (Lid & Base) Plastic Case
- LED Status Light Pipes
- Stealth Streamlined Look - Spouse Tested & Confirmed
- Clip Fit Raspberry Pi Mount with Optional Screw Locking (Included)
- Positive and Secure Case Locking via Screws (Included)
- Designed for Hacking - Extra Large Internal Room for Breakout Boards
- Airflow - Internal Volume Perfect for Adding Heat Sinks & Keeping your Pi Cool
- GPIO 40 Pin Ribbon Cable Slot
- CSI Camera Cable Slot
- DSI LCD Video Cable Slot
- GPIO Fly-Through Cable Slot for Smart Power Supply Switches
- Additional Internal SD Card Holder
- In-Built Four Point 50mm M3 Mount & Two Point 40mm M3 Wall Mount Features
- Matt Finish Body with Gloss Cap
- Optical See-Through Window (Clear Version Only)
- Available in a Range of Colours Including Black, Blue, Clear, White and Raspberry
- Designed in the UK
- Strong & Durable ABS Plastic
- Case Dimensions:
  - Length: 104.95mm
  - Width: 74.95mm
  - Height: 36.00mm
- Internal Dimensional Volume for Breakout Boards:
  - Length: 90.00mm
  - Width: 58.50mm
  - Height\*: 25.70mm (\*Measured from Top of RPi PCB to Internal Top of Lid)
  - Internal Volume HAT Compliant





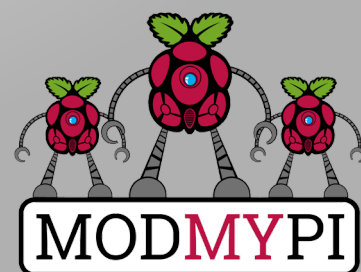
# Modular Raspberry Pi Model B+ Case

## Modular Add-On Options

The Modular Raspberry Pi Case is designed to be fully customisable by the user, and adaptable to suit a range of requirements. The streamlined look, and adaptability makes it perfect for many applications, including: the hobbyist maker, digital signage, industrial protection, living-room & child-friendly media centres, classroom education, workshops and many more! All add-ons are designed to be interchangeable and can be added and removed when required.

The Current Modular Add-On Options Include the Following:

- **Micro SD Card Cover**
  - Flush, Lockable and Tamper-Proof.
  - Secure your Micro SD Card from Probing Fingers
  - Protect your Micro SD Card from Accidental Knocks & Bangs
- **10mm Stackable Spacers**
  - Makes Your Case Compatible with 99% of Breakout Boards
  - Spacers Raise Internal Height by 10mm Enabling the Case to Grow with your Project
  - Spacers can be Stacked Increasing Internal Height by up to 50mm or more!
  - Great for Embedded Applications, and Hobbyist Projects
- **USB & HDMI Security Cover.**
  - Dual-Use - Compatible with Either Set of I/O Ports e.g. HDMI or USB Side
  - Secure and Tamper-Proof
  - RJ45 & Micro USB Power Breakout Hatches
  - Off-Set to Enable the Use & Internal Protection of up to 4 Nano USB Dongles!
- **VESA Mounts**
  - Two Types Available Depending on VESA Spacing
  - VESA Splash Enables the use of MIS-D 75/100 M4
  - VESA Slice Enables the use of MIS-F 200mm M6
  - Great for Media & Signage Applications e.g. Hiding the Pi behind the TV!
- **Customisable Lid Window**
  - Clear Version Features an Optically Transparent Window
  - Coloured Versions Feature a Sexy Smooth Gloss Top
  - Screen Print Logo Branding Available from MOQ 20 Units
  - Full Window Customisation Including Addition of Ports Available from MOQ 1k Units
  - Raspberry Pi Logo Available on Request



# Modular Raspberry Pi Model B+ Case

## Features In Depth

The Modular Raspberry Pi Case was crafted in the UK by Raspberry Pi enthusiasts for Raspberry Pi enthusiasts. Because of this, it has a range of unique, subtle and useful traits. We've designed the Modular Case to be easy to use for those very new to the world of Pi, and infinitely adaptable for those who have been hacking for years! As the users needs and skills develop during a project, the case is designed to expand and grow alongside it.

### Basic Case Assembly

1. Insert your Raspberry Pi Model B+ into the bottom section of the case, tilting the side of the Pi that features the power socket in first.

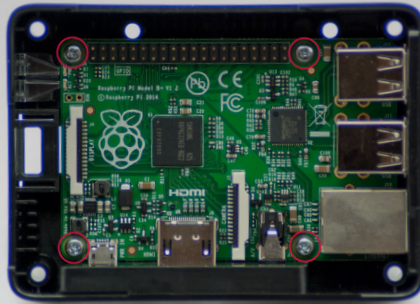


2. Push the Raspberry Pi down until it clicks firmly into position.

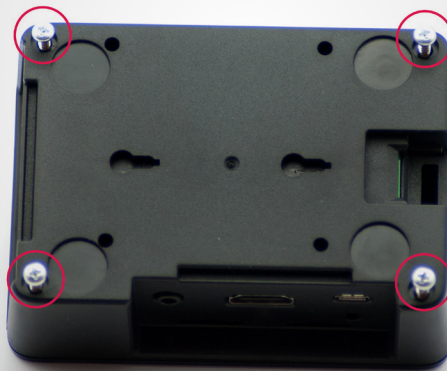


# Modular Raspberry Pi Model B+ Case

3. Screw the Pi into position using the four M2.5 x 6mm screws provided.



4. Place the top section of the case on top.
5. Hold the top section in place and flip the assembly over.
6. Screw the bottom and top sections together using the four M3 x 28mm screws provided.



7. To remove the Raspberry Pi, **ensure that the Micro SD card has been withdrawn**, then simply follow the steps in reverse.

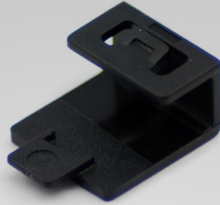




# Modular Raspberry Pi Model B+ Case

## Adding the Micro SD cover

The Micro SD card cover is a tamperproof, clip fit part and can only be removed by taking the top off the case first. It's designed to protect the Micro SD card from accidental knocks and bangs, in addition to securing the card from theft and unwanted removal.



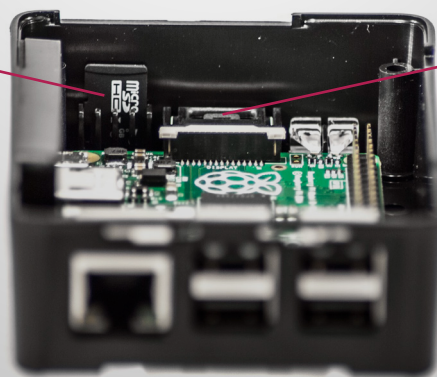
## Micro SD Card Cover Assembly

1. With the case upside down, slide cover into the slot provided until it click into place.



2. The Micro SD card cover has an internal clip latch that can only be accessed with the lid removed. To withdraw the cover, simply push the latch down whilst sliding the cover out. Due to its secure nature, a pen or similar instrument may be required to push the latch.

Internal Micro SD Card Slot



Micro SD Card Cover Latch

3. Every budding Pi hacker has a spread of SD cards with various operating systems dotted around their work bench. In order to help tidy the mess, we included an extra slot internally for an additional Micro SD card. Thus, whether it's hacking or media, you'll always know where at least two of your cards are!

# Modular Raspberry Pi Model B+ Case

## Adding the USB/HDMI Security Cover

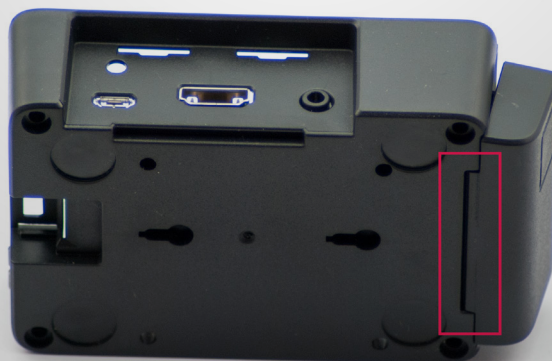
The USB/HDMI security cover is a dual-use shroud that can be utilised to protect access to all the external inputs and outputs. Two covers can be used simultaneously if only very limited access is required, and "punch-out" access hatches are available for both the Ethernet and Micro-USB power port if these inputs are required. Security covers are tamperproof and can only be removed from inside the case.

In addition to protecting the Raspberry Pi ports, the shroud is offset from the body by 12mm. This enables the secure, internal and protected use of up to four nano USB dongles with the cover installed.



## USB/HDMI Cover Assembly

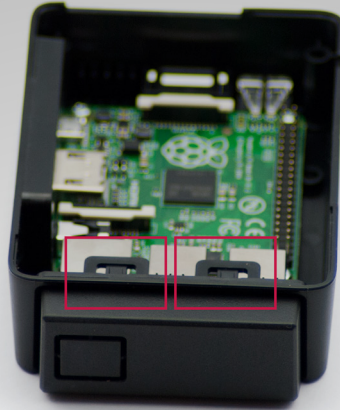
1. With the lid removed, turn the case on its side.
2. Install any required Nano USB dongles prior to fitting the cover.
3. Hook the bottom of the cover into the bottom of the case on the desired edge.



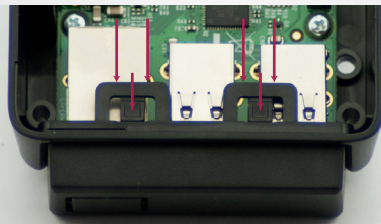


# Modular Raspberry Pi Model B+ Case

4. Push the two retaining clips into the case. They will make a positive “click” when in position.



5. To remove the cover, push the two retaining clips down, and pull the cover away.



6. If access to the Ethernet or Micro USB port is required access hatches can be removed. To do this simply cut the four tabs that hold the access hatch in place. Cables can then be inserted through the hatch! Hatch removal is permanent.



# Modular Raspberry Pi Model B+ Case

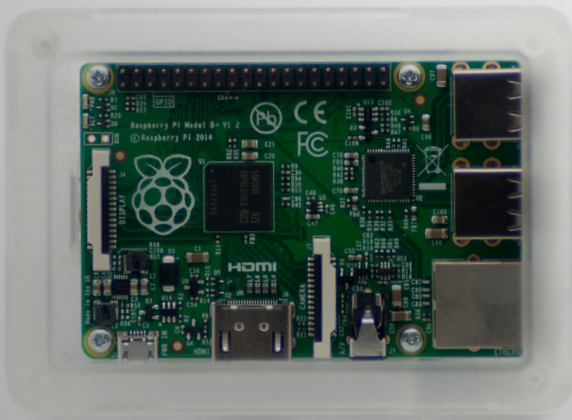
## Customisable Lid Window

In order to encompass multiple applications the Modular Raspberry Pi case features a customisable "Window" on the lid. On coloured versions of the case, the Window is completely opaque, resulting in a clean, stealth look perfect for the living room. For industrial and business use, this area can be screen print logo branded (MOQ 20 Units), or totally modified with the addition of ports, holes, slots or engraving (MOQ 1k).



## Optical Finish (Clear Version Only)

For those that want their Pi to remain visible but safe, the clear version of the Modular Case features a crystal clear, transparent window on the lid. This makes it great for educational use where the GPIO is visible, but safely shielded.

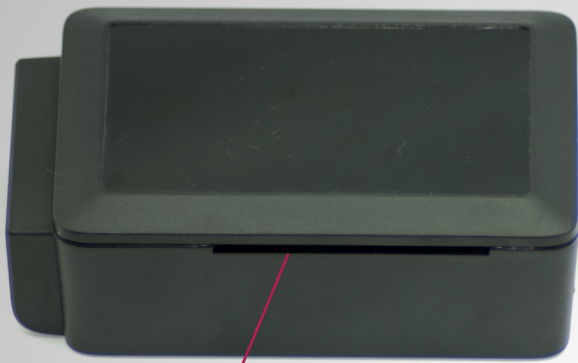


# Modular Raspberry Pi Model B+ Case

## Access Slots & Mounting Features

The Modular Raspberry Pi Case has a number of access slots for the various accessories currently available, such as the Raspberry Pi camera module, as well as being forward compatible with upcoming parts, including a DSI access slot. The access slots, in addition to the internal volume act together to ensure that the Raspberry Pi is kept cool and comfortable at all times.

## Access Slots

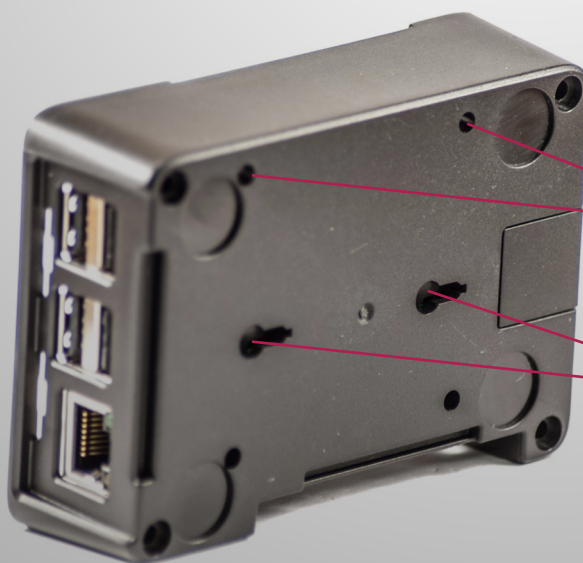


GPIO 40 Pin Ribbon Cable Slot



CSI Camera Cable & DSI LCD Video Cable Slot

## Mounting Points



50mm M3 Mount

40mm M3 Wall Mount



# Modular Raspberry Pi Model B+ Case

## VESA Mounting

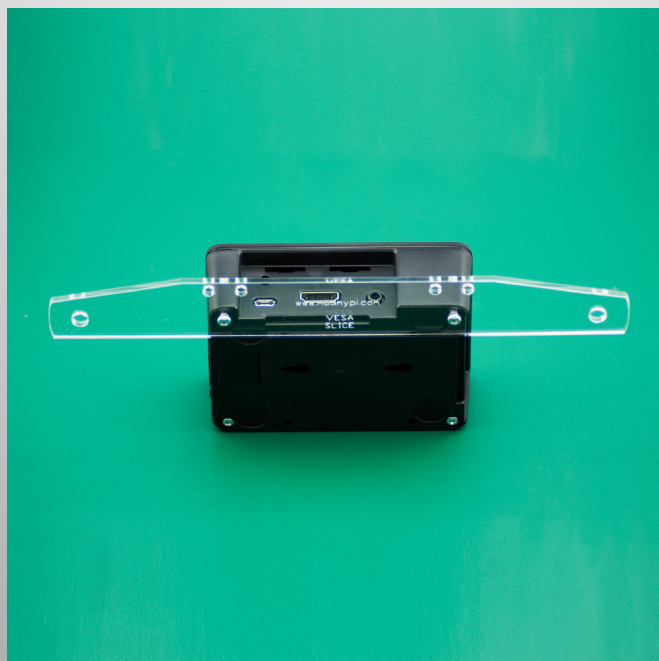
Where would a Raspberry Pi Case be without VESA support for the Media Centre fanatics? If you need to tuck your Pi safely behind your TV and hide it from your spouse, we cater for multiple options.

There are two types of VESA Mount available depending on the VESA spacing requirement. Both connect to the Modular Case via the case assembly screws, and VESA mounts are fully compatible with all add-ons.

VESA Splash is a four point MIS-D 75mm (M4) and MIS-D 100mm (M4) compatible unit.



VESA Slice is a two point MIS-D 75mm (M4), MIS-D 100mm (M4) and MIS-F 200mm (M6)

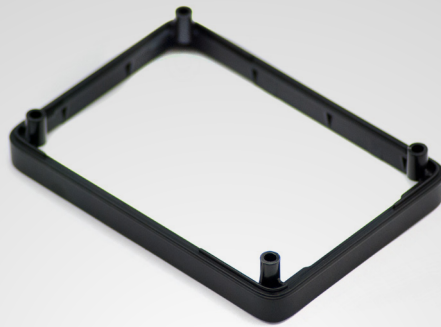


# Modular Raspberry Pi Model B+ Case

## Adding Spacers

The basic case has a stock internal headroom of 25.70mm, measured from the top of the RPi PCB to the inside of the lid, which allows many Raspberry Pi breakout boards to fit without any modifications. If the user wants to increase this headroom further, to enable the use of larger breakout boards, place prototype PCBs internally, or stack multiple boards on one another, spacers can be utilised.

Spacers increase the internal height by 10mm per spacer, and can be stacked to increase the headroom further e.g. 2 spacers would be 20mm extra. Spacers can be stacked as high as needed, however longer screws are required if the case needs to be secured.

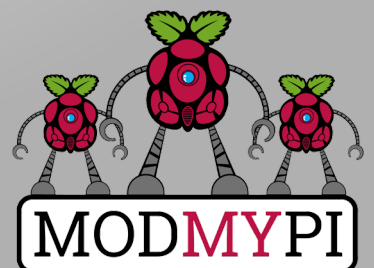


## 10mm Spacer Plate Assembly

1. Add as many spacers as you need by simply stacking one on top of the other. (We cater screws for up to 5 spacers)

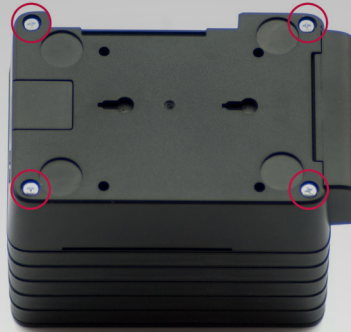


2. Place the lid of the case on top.



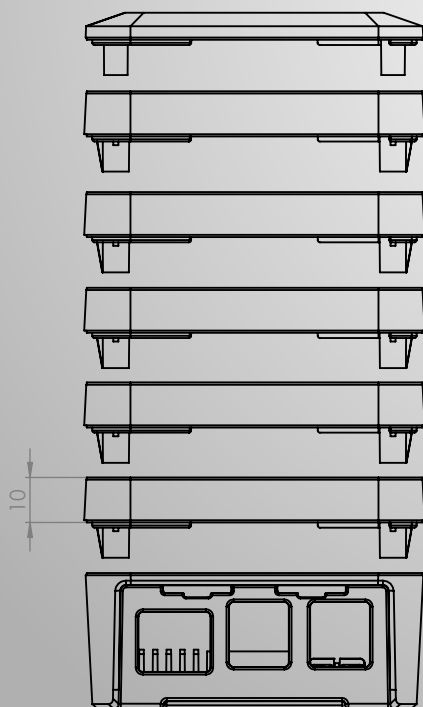
# Modular Raspberry Pi Model B+ Case

3. Turn the case upside down, and screw the case together using longer screws.

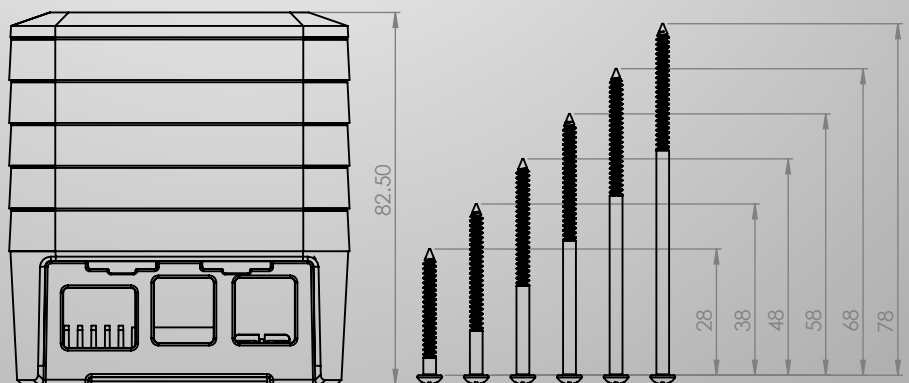


## Spacer Screw Guide

Depending on the number of spacers required, the length of the screw required will change. We currently cater for up to 5 spacers with corresponding screw lengths. Screws types compatible with spacers plates are both No.4 (US) and M3 (UK/EU). Users can of course, source screws via their own channels, or alternatively screws up to 78mm are available in packs of four.



No. of Spacers	Screw Length (mm)
0	28
1	38
2	48
3	58
4	68
5	78





# Modular Raspberry Pi Model B+ Case

## Part Codes & Ordering

The basic Modular Case consists of a lid, base and assembly screws. All other add-on parts are available separately. We're also pleased to offer a bundle kit, which includes the perfect quantity of modular elements, resulting in an a simplified choice for the Raspberry Pi user looking for an expandable and adaptable Raspberry Pi case.

Modular Case Bundle Kit Contents (RBMOD-):

- 1 x Case (Lid & Base)
- 1 x Micro SD Card Cover
- 1 x 10mm Spacer Plate
- 1 x USB/HDMI Security Cover
- 4 x M2.5 6mm Screws
- 4 x M3 28mm Screws
- 4 x M3 38mm Screws

### Modular Case Part Codes

Part/Colour	Case (Lid & Base)	SD Card Cover	10mm Spacer	USB/HDMI Cover	Bundle Kit
Black	RB-BLK	RBDCC-BLK	RBSPA-BLK	RBUSB-BLK	RBMOD-BLK
Clear	RB-CLE	RBDCC-CLE	RBSPA-CLE	RBUSB-CLE	RBMOD-CLE
White	RB-WHT	RBDCC-WHT	RBSPA-WHT	RBUSB-WHT	RBMOD-WHT
Blue	RB-BLUE	RBDCC-BLUE	RBSPA-BLUE	RBUSB-BLUE	RBMOD-BLUE
Pink	RB-PNK	RBDCC-PNK	RBSPA-PNK	RBUSB-PNK	RBMOD-PNK

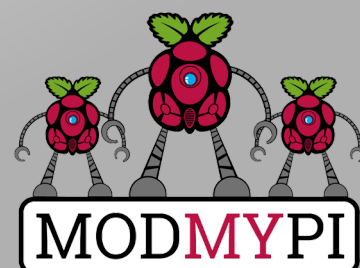
### Additional Part Codes

VESA Mounts come complete with all fixing hardware required to mount the Modular Case to a TV, and manufactured using transparent laser cut acrylic.

Part	Order Code
VESA Splash	MMPVES-1
VESA Slice	MMPVES-2
38mm M3 Screw 4 Pack (1 Spacer)	MMPSCR-38
48mm M3 Screw 4 Pack (2 Spacers)	MMPSCR-48
58mm M3 Screw 4 Pack (3 Spacers)	MMPSCR-58
68mm M3 Screw 4 Pack (4 Spacers)	MMPSCR-68
78mm M3 Screw 4 Pack (5 Spacers)	MMPSCR-78

### Ordering

Cases, parts and hardware can be all be ordered through ModMyPi. Simply ping us an email [sales@modmypi.com](mailto:sales@modmypi.com), and we'll be happy to discuss your requirement.



# Modular Raspberry Pi Model B+ Case

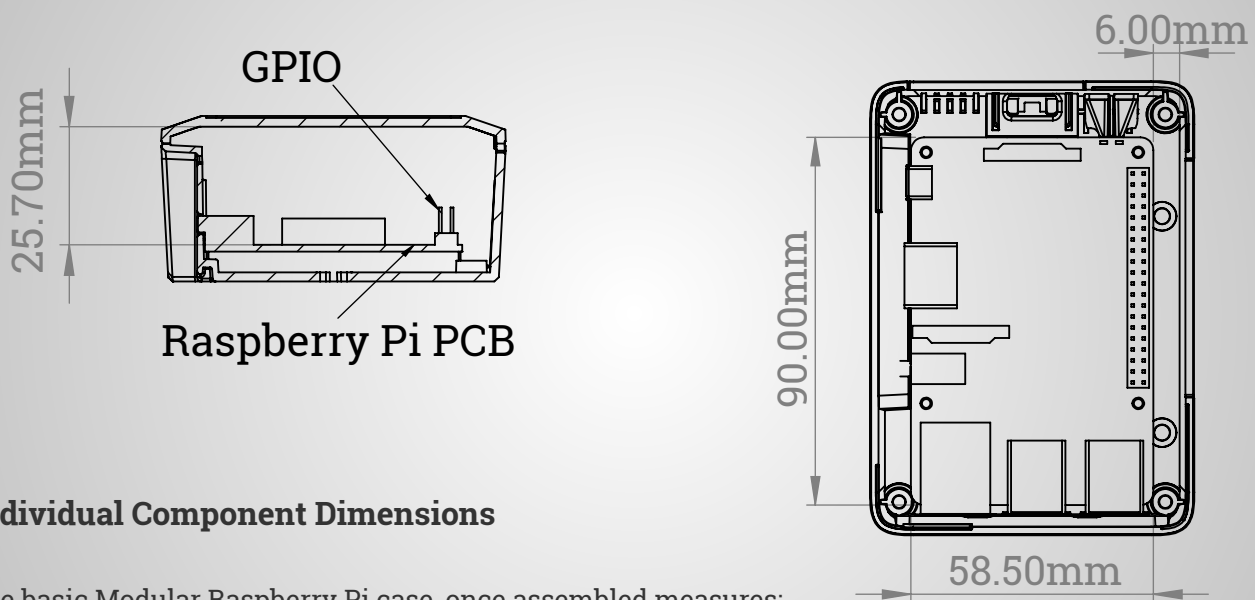
## Dimensions

### Measuring for Breakout Boards

One of the core features of the Modular Case is its ability to accept many Raspberry Pi breakout boards without requiring modification. Of course, in order to check compatibility, it's the internal dimensions that are important.

In terms of internal **width** and **length**, the case is designed to accept all breakout boards with the same footprint as the Raspberry Pi Model B+ or smaller. There is also 6.00mm of extra play directly next to the GPIO

In terms of **height**, the case is designed to accept boards of 25.70mm, measured from the top of the Raspberry Pi PCB to the inside of the lid. Every 10mm spacer plate can increase this internal height by 10mm.



### Individual Component Dimensions

The basic Modular Raspberry Pi case, once assembled measures:

Length: 104.95mm

Width: 74.95mm

Height: 36.00mm

Component	Width (mm)	Height (mm)	Length (mm)
Case Lid	74.95	13.82	104.95
Case Base	74.95	30.00	104.95
SD Card Cover	17.98	11.92	25.05
10mm Spacer	75.55	17.82	105.55
USB/HDMI Cover	22.70	27.12	59.55