

"You're absolutely right my old mucker!"

"Tell you what Kingy every kitchen needs one of these!"

THE HAIRY BIKERS

Dave S.



Power JUICER

it's ←

|||||▶ HONEST

RELIABLE &

→ ROBUST



LET'S CRACK ON!

IMPORTANT SAFEGUARDS

When using electrical appliances, basic safety precautions should always be followed. These instructions should be saved for future reference:

- Read and familiarise yourself with all operating instructions before using this Power Juicer.
- Before plugging your unit into the mains, visually check that it is intact and has not suffered any transit damage.
- Check that the voltage indicates on the data plate corresponds with that of the local network before connecting the appliance to the mains power supply.
- Do not use this product with a programmer, timer, separate remote-control system or any other such device.
- Do not immerse this appliance in water or any other liquids.
- Close supervision is required when using this appliance near children.
- Never leave this appliance within reach of children.
- This appliance shall not be used by children from 0 to 8 years.
- This appliance can be used by children aged from 8 years and above and persons with reduced physical, sensory or mental capabilities or lack of experience and knowledge if they have been given supervision or instruction concerning use of the appliance in a safe way and understand the hazards involved.
- Children shall not play with the appliance.
- Keep the appliance and its cord out of reach of children less than 8 years.
- Cleaning and user maintenance shall not be made by children.
- Do not leave the appliance unattended during use.
- Do not leave the appliance unattended whilst connected to the mains supply.
- Always use this appliance on a solid, level, non-flammable surface.
- Do not use this appliance outdoors.
- It is imperative to unplug the power cord after the appliance has been used, before it is cleaned and whilst being repaired.
- Regular, periodic checks should be carried out on the supply cord to ensure no damage is evident. Should there be any signs of damage the appliance should not be used.
- If the supply cord is damaged it is to be replaced by a qualified person in order to avoid a hazard.
- Do not operate this appliance with a damaged plug or cord, after a malfunction or after being dropped or damaged in any way.
- Do not allow the mains cable to hang over sharp edges or come in contact

with hot surfaces.

- This appliance is intended for household use only and should not be used for industrial purposes.
- Do not use any accessories or attachments with this appliance other than those supplied or recommended by supplier.
- Do not use this appliance for anything other than its intended use.
- Do not push objects into any openings as damage to the appliance and/or electric shock may occur.
- **CAUTION:** The centrifuge bowl assembly is sharp, handle with care.
- **DO NOT ATTEMPT TO SHARPEN THE CENTRIFUGE BOWL ASSEMBLY.**
- DO NOT use the appliance if the centrifuge bowl assembly is bent or damaged.
- To avoid the risk of injury or damage never place the centrifuge bowl assembly onto the base without the proper attachment.
- Only use attachments and accessories intended for use with this product.
- **DO NOT** overfill
- **DO NOT** operate the appliance while it is empty.
- Unplug after each use. Grasp the plug not the cord.
- **WARNING:** Do not wrap the power cord around the appliance when storing.

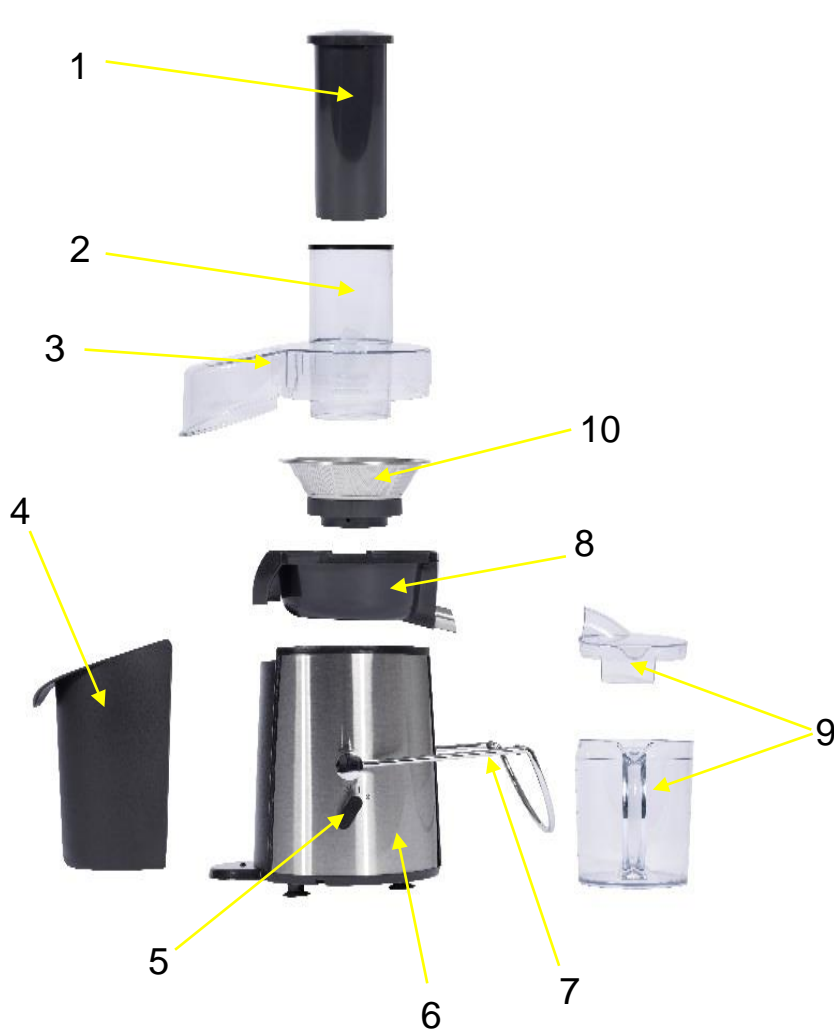
Before the first time you use your Power Juicer

Please read these operating instructions thoroughly and keep them in a safe place for future reference.

Remove all packaging materials and dispose of according to local regulations. Clean all surfaces with a soft, clean, damp cloth.

Warning: Do not immerse the appliance, cord or plug in water. To remove any excess dust that may have accumulated during packing, wipe the exterior with a clean, soft, damp cloth. Do not use harsh or abrasive cleaners on any part of the appliance.

Description of Parts



1. Tamper
2. Funnel
3. Lid
4. Pulp Collector
5. ON/OFF Switch
6. Motor Section
7. Lock Mechanism
8. Base
9. Juicer Cup with Lid
10. Centrifuge Bowl



Instructions for use

Assembly before use:

1. Place the motor section (6) on a flat, level surface and ensure that it is standing firmly on the four non-slip feet.
2. Place the base (8) onto the motor section so that the spout fits into the slot on the side of the motor section.
3. Push the fruit pulp collector (4) up under the drain edge on the base so that it locks onto the foot of the motor section (6).
4. Carefully lock the centrifuge bowl (10) onto the base.

Note: Take care not to touch the sharp edges at the bottom of the centrifuge bowl.

Ensure the centrifuge bowl sits properly on the base so that the gear on the bottom of the bowl engages the gear in the base.

Ensure that the centrifuge bowl doesn't sit too loosely on the base and that it rotates freely.

5. Place the lid (3) onto the juicer so that it covers both the pulp collector and the centrifuge bowl. Ensure the lid fits tightly.
6. Turn the lock mechanism (7) to the vertical position and ensure it engages with the lid and locks tight. (The lock mechanism makes a click sound when located correctly).
7. Place the juicer cup with lid under the spout.
8. Plug the Power Juicer into a suitable wall socket.
9. The Power Juicer is now ready for use.

Preparing fruit and vegetables for juicing:

- Always wash fruits and vegetables thoroughly before juicing.
- It is not necessary to remove seeds, pips and thin skins before juicing.
- Fruits with thick skins such as oranges or lemons must be peeled before juicing. (It is important to remove all the skin, including the pith to avoid any bitter taste in the juice)
- It is also important to remove large pips and stones such as in plums and apricots to avoid damaging the appliance.
- Large fruits and vegetables should be cut to a size that will easily fit into the funnel.

Using the Power Juicer.

1. Start the Power Juicer by turning the ON/OFF switch to position “1” (low speed) or position “2” (high speed).
2. The low speed setting is suitable for juicing soft fruits and vegetables. The high speed setting is suitable for juicing harder fruits and vegetables.
3. Feed the selected fruits and/or vegetables into the centrifuge bowl through the funnel, a little at a time, pushing them down using the tamper ().
4. Make sure you use the tamper so the groove in the tamper fits into the funnel correctly.
5. Long vegetables such as carrots should be fed into the funnel narrow end first.
6. Press the fruits/vegetables gently into the funnel. Too much pressure can reduce the amount of juice extracted and may also damage the appliance.
7. To avoid splashes turn off the appliance before removing the tamper to add more fruits/vegetables.
8. Do not allow the pulp collector to overflow.
9. Always turn the ON/OFF switch to the 0 (OFF) position and remove the plug from the wall socket before removing the lid.

Tips.

- To make cleaning easier, line the pulp collector with a plastic bag before use.
- Use fresh fruits and vegetables – They contain the most juice.
- Leafy green vegetables such as cabbage and spinach can be juiced, roll the leaves up into a cylinder before feeding into the funnel.
- Pure apple juice turns brown quickly when exposed to air, if not served immediately add a little lemon juice to prevent discolouration.
- Fruit/vegetable pulp can be added to cakes/muffins/lasagna etcetera.

Cleaning and maintenance

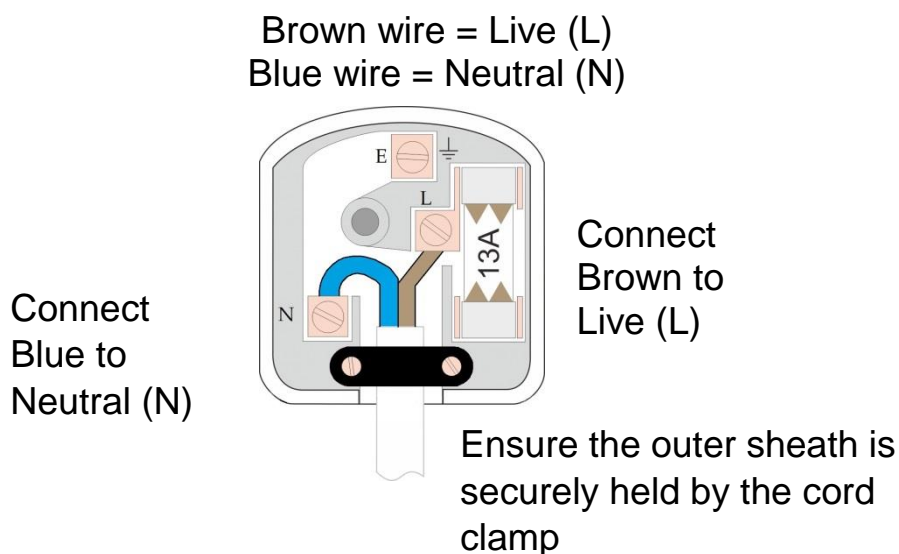
- Always unplug the Power Juicer from the mains power supply before cleaning.
- Allow the appliance to cool before cleaning.
- Do not clean any part of your Power Juicer in a dishwasher.
- Do not submerge any part of the main body, plug or mains cable in water or any other liquids.
- Empty the pulp collector of excess waste.
- The centrifuge bowl, pulp collector and all other detachable parts should be hand washed in warm soapy water.
- Clean the motor unit with a soft damp cloth and dry thoroughly.
- Do not clean any part of your Power Juicer with any harsh or abrasive cleaners.

Electrical Connections

This appliance is fitted with a fused three-pin plug to BS 1363. If the plug has to be removed, it should be cut off and carefully disposed of immediately. To avoid a possible shock hazard, do not insert the discarded plug into a mains socket.

Fitting a new plug

If for any reason you need to fit a new plug, the flexible mains lead must be connected as shown below. The wires in the mains lead fitted to this appliance are coloured in accordance with the following code:



If colours of the wires in the mains lead of this appliance do not correspond with the coloured marking identifying the terminals in your plug, proceed as follows:

The wire which is coloured Blue must be connected to the terminal which is marked with the letter N or coloured Black. The wire which is coloured Brown must be connected to the terminal which is marked with the letter L or coloured Red. Before refitting the plug cover check that there are no cut or stray strands of wire inside the plug. Use a 13 Amp BS 1362 fuse, only BSI or ASTA approved fuses should be used. If you are in any way unsure which plug or fuse to use, always refer to a qualified electrician.

Note: After replacing or changing a fuse on a moulded plug which has a fuse cover, the cover must be refitted to the plug, the appliance must not be used without a fuse cover.

Technical Data

Voltage: 220-240V 50Hz
Rated Power 850W

Model Number SDA1073



Waste electrical products should not be disposed of with household waste. Please recycle where facilities exist. Check with your Local Authority or retailer for recycling advice.



Hairy Bikers® is a Registered Trade mark.
Produced and imported by Europasonic (UK) Ltd.
Manchester M3 1JS

www.europasonic.com



Our History

The Hairy Bikers' Diet Club was formed after Dave Myers and Si King embarked on a radical overhaul of their own lifestyles. Their series, 'Hairy Dieters: How to love Food and Lose Weight' followed their own personal transformation with the Hairy Bikers losing two and a half stone in three months. Both surpassed their target weights and stayed true to their love of great food.

The Diet Club follows a similar ethos to help individuals inspired by the Bikers' success. The online programme provides the perfect platform for those looking to lose weight, with all the tools to assist in their journey including menu plans, exercise programmes, online diaries, weekly weigh ins and an active online community.

YOUR Exclusive Offer

14 DAY FREE TRIAL – JUST FOR YOU.

WEBSITE: <https://my.hairybikersdietclub.com/member/register/dunelm>

Terms and conditions:

- This offer is for new members only
- You must be 18 years or over to participate
- This offer cannot be combined with other offers
- Offer ends 31st December 2016

So why not give it a go?

All it takes is a few moments to complete the registration form and you can have all this on tap - plus us of course!

It'll be epic!

