

PLEASE CHECK WWW.MOLEX.COM FOR LATEST PART INFORMATION

Part Number: [2018410030](#)
Status: **Active**
Overview: [MultiCat Power Connectors with Precision-Machined Contacts](#)
Description: [MultiCat™ Inline Receptacle Housing, 3 Circuits, Black, Key A](#)

Documents:

3D Model	Packaging Specification 2018410000-PK-000 (PDF)
Drawing (PDF)	Test Summary 2018400000-TS-000 (PDF)
Product Specification 2018400000-PS-000 (PDF)	RoHS Certificate of Compliance (PDF)
Application Specification 2018400000-AS-000 (PDF)	Product Literature (PDF)

Agency Certification

UL E29179

General

Product Family	Crimp Housings
Series	201841
Application	Power, Wire-to-Board, Wire-to-Wire
Overview	MultiCat Power Connectors with Precision-Machined Contacts
Product Literature Order No	987651-4731
Product Name	MultiCat™
UPC	889056746403

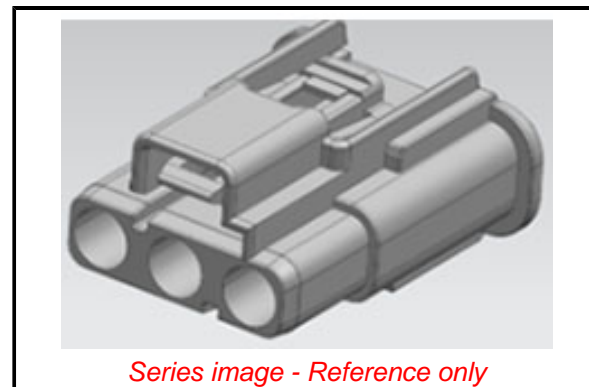
Physical

Circuits (maximum)	3
Color - Resin	Black
Flammability	94V-0
Gender	Receptacle
Glow-Wire Compliant	No
Keying to Mating Part	Yes
Lock to Mating Part	Yes
Material - Resin	PEI
Net Weight	5.780/g
Number of Rows	1
Packaging Type	Bag
Panel Mount	No
Pitch - Mating Interface	7.40mm
Polarized to Mating Part	Yes
Temperature Range - Operating	-40°C to +150°C

Material Info

Reference - Drawing Numbers

Application Specification	2018400000-AS-000
Packaging Specification	2018410000-PK-000
Product Specification	2018400000-PS-000
Sales Drawing	2018410000-SD-000
Test Summary	2018400000-TS-000



Series image - Reference only

EU ELV

Not Reviewed

EU RoHS

Not Reviewed

REACH SVHC

Not Reviewed

Halogen-Free

Status

Not Reviewed

Need more information on product environmental compliance?

Email productcompliance@molex.com
Please visit the [Contact Us](#) section for any non-product compliance questions.

China ROHS	Not Reviewed
ELV	Not Reviewed
RoHS Phthalates	Not Reviewed

Search Parts in this Series

[201841](#) Series

Mates With

MultiCat™ Inline Plug Housing [201840](#) ,
MultiCat™ Header [201843](#) , [201842](#)

Use With

MultiCat™ Contacts [201846](#)