

Important!
Install the CD Drivers
before Connecting the
Hardware to the PC.

Quick Start Guide
Ulinx, USB to 1 Port Serial and
1 & 2 Port DIN Converters



1

Items Included

- USB to Serial Device
- One Meter USB Cable
- CD ROM with Drivers
- This Quick Start Guide

2

General

1. One USB port is required for each installed device. The USB port can be native to the PC or it can be a USB port from an installed USB hub to the PC.

Note: The devices work with USB 1.1 or 2.0 ports but have a maximum USB data rate of 12Mbps.

Surrounding Air Ambient Temperature: 0 to 70° C

3

Installation

- **INSERT THE DRIVER CD INTO YOUR CD-ROM BEFORE PLUGGING THE HARDWARE INTO THE PC.**
- If you have inserted the hardware first and the Found New Hardware Wizard launched, click cancel to exit the wizard.



- After inserting the CD, the Ulinx USB Driver Installation wizard should launch automatically. If not, navigate to the CD-ROM drive and run setup.exe. To find your CD-ROM drive, double click "Computer" or "My Computer" on your desktop, then double click on your CD-ROM drive (usually D:).
- In Windows Vista, if the following dialog appears, click "Run setup.exe".



- When the Ulinx USB Driver Installation Wizard appears, follow the wizard to complete the installation.

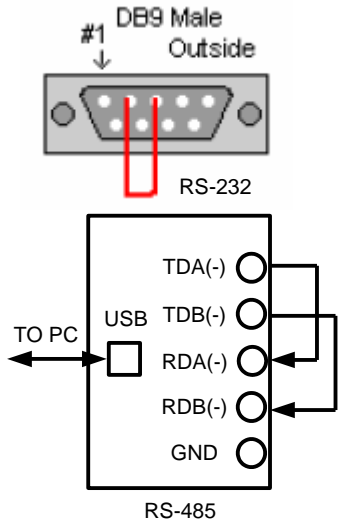


- When the Ulinx USB Driver Installation Wizard is done installing the driver, using the included USB cable plug the USB hardware into an available USB port on the PC.

4

Verifying Installation

- To verify the installation went correctly open the Windows Device Manager
 - Scroll down to Ports,
 - Expand the ports by clicking on the plus sign (+), this shows if the ports now exist on the PC.
 - If there are no exclamation points or other indicators of a problem the ports should be installed correctly and ready for use.
- Verifying with a **loopback test**.
 - If the device is RS-232, loopback pins 2 and 3. If the device is RS-422 or RS-485, loopback the TDA(-) to RDA(-) and TDB(+) to RDB(+). Use the pin-out charts for the location of each pin or terminal.
 - Using Hyper Terminal or similar program, connect to the appropriate COM port. Set the desired baud rate. Ensure Hyper Terminal local echo is OFF. **(Note: Hyper Terminal is not provided with Vista or 2003 Server)**
 - Transmit data. If the same character string is returned, the test is good.



5

Dip Switch Setting

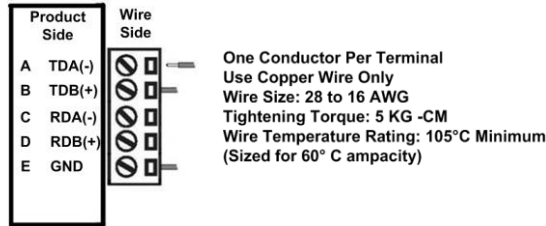
Note: For models with selectable RS-422/485 configurations

Dip switches allow the module to be configured for two-wire or four-wire, RS-422 or RS-485 modes. In two-wire mode the TDA (-) and RDA (-) are tied together and so are TDB (+) and RDB (+), making multi-dropping this converter into an existing network easy.

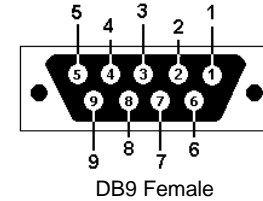
Dip Switch Settings		
Switch	Off (left)	On (right)
1	RS-422	RS-485
2	ECHO ON	ECHO OFF
3	4-Wire	2-Wire
4	4-Wire	2-Wire

6

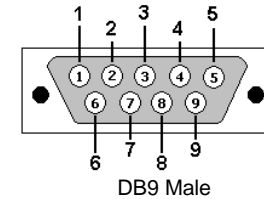
Pinouts



RS485 Pinout (Terminal Blocks)		
Terminal Position	RS-485, 4 Wire	RS-485, 2 Wire
A	Transmit TDA (-) Output	Data A (-) Input / Output
B	Transmit TDB (+) Output	Data B (+) Input / Output
C	Receive RDA (-) Input	Data A (-) Input / Output
D	Receive RDB (+) Input	Data B (+) Input / Output
E	Ground	Ground



RS-485 Pinout (DB9 Female)		
Pin	RS-485, 4 Wire	RS-485, 2 Wire
1	Not Used	Not Used
2	Receive RDA (-) Input	Data A (-) Input / Output
3	Transmit TDB (+) Output	Data B (+) Input / Output
4	Ground	Ground
5	Not Used	Not Used
6	Ground	Ground
7	Receive RDB (+) Input	Data B (+) Input / Output
8	Transmit TDA (-) Output	Data A (-) Input / Output
9	Not Used	Not Used



RS-232 and TTL Pinout (DB9 Male DTE)			
PIN	Signal Name	RS-232 Signals	TTL Signals
1	DCD (Data Carrier Detect)	Input	Not Used
2	RD (Receive Data)	Input	Input
3	TD (Transmit Data)	Output	Output
4	DTR (DTE Ready)	Output	Not Used
5	SG (Signal Ground)	Ground	Ground
6	DSR (DCE Ready)	Input	Not Used
7	RTS (Request to Send)	Output	Output
8	CTS (Clear to Send)	Input	Input
9	RI (Ring Indicator)	Input	Not Used

NOTE: To remove drivers from a PC, there is an Uninstall reference document on the CD ROM.

Distributed by:

45 Beechwood Dr., North Andover, MA 01845
 www.L-com.com
 Fax: 978-689-9484
 E-mail: sales@L-com.com
 Toll Free: 1-800-343-1455