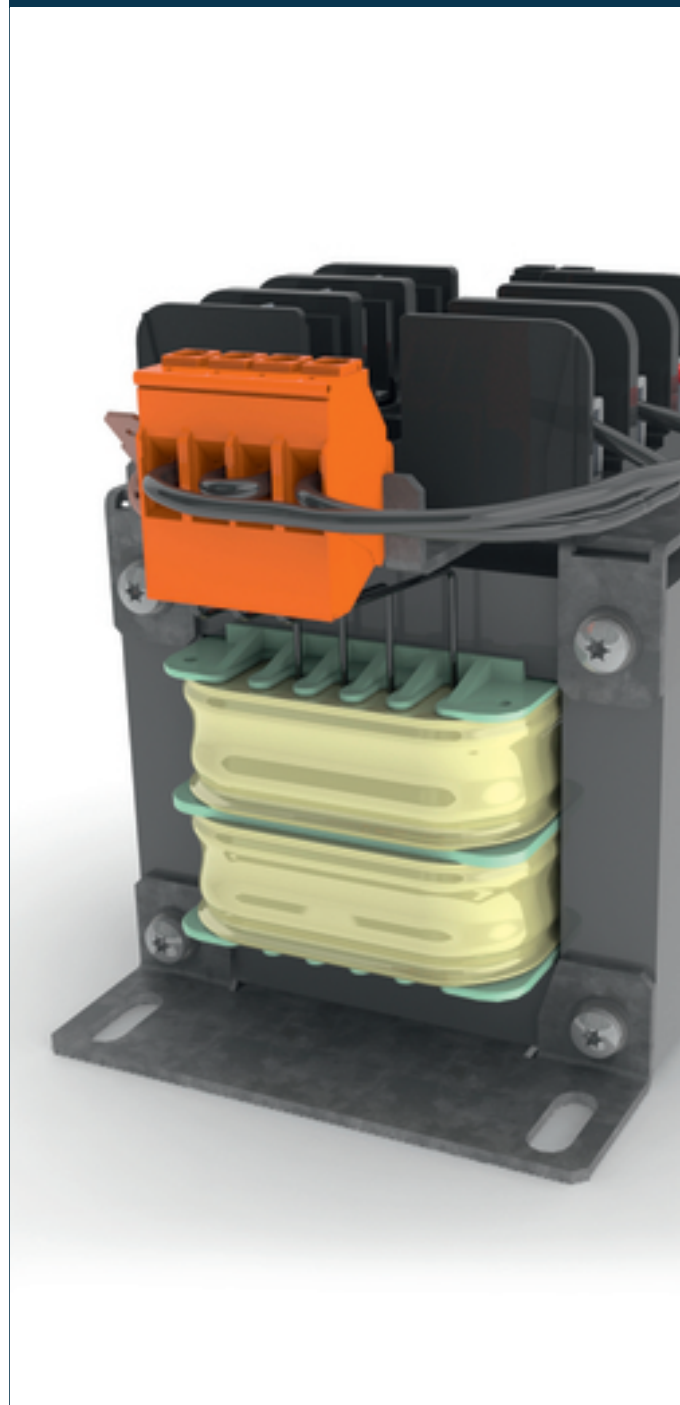


# Separating transformer CT-050-060-12-1



## Advantages

Fused versions available

Versions with DIN rail for additional components available

100 % finger-safe

Jumpers included for primary voltage selection

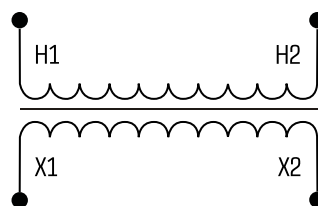
Impregnated for max. protection

Up to 2500 VA

## Applications

As an industrial control transformer for adjustment of the voltage and simple electrical isolation.

## Sample application



## Standards



Separating transformer  
to: EN 61558 part 1 with part 2-1, UL 5085-1/-2;2:2, CSA 22.2 No. 66

## Approvals



UL 5085-1/-2, CSA 22.2 No.66



## Separating transformer CT-050-060-12-1

Type	CT-050-060-12-1
<b>Electrical data</b>	
Special features	
Characteristics	Fused version
Input	
Rated input voltage	600 Vac
	0.91 Aac
Frequency Range	50 - 60 Hz
Output	
Rated output voltage	120 Vac
Power	500 VA
No-load voltage (app. x factor)	1.06
Efficiency	91 %
Standards	
Classification	Separating transformer
Approvals	
Approvals	cURus
Environment	
Ambient temperature	max. 104 °F
Type of cooling	Air natural
Safety and protection	
Type	Open type
Insulation class	B, class 130
Protection index	IP 00
Safety class (prepared)	I
Short circuit strength	non-short-circuit proof
Core	EI 120/73,7

Type	CT-050-060-12-1
<b>Mechanical data</b>	
Measures and weights	
Weight	14.99 lbs

