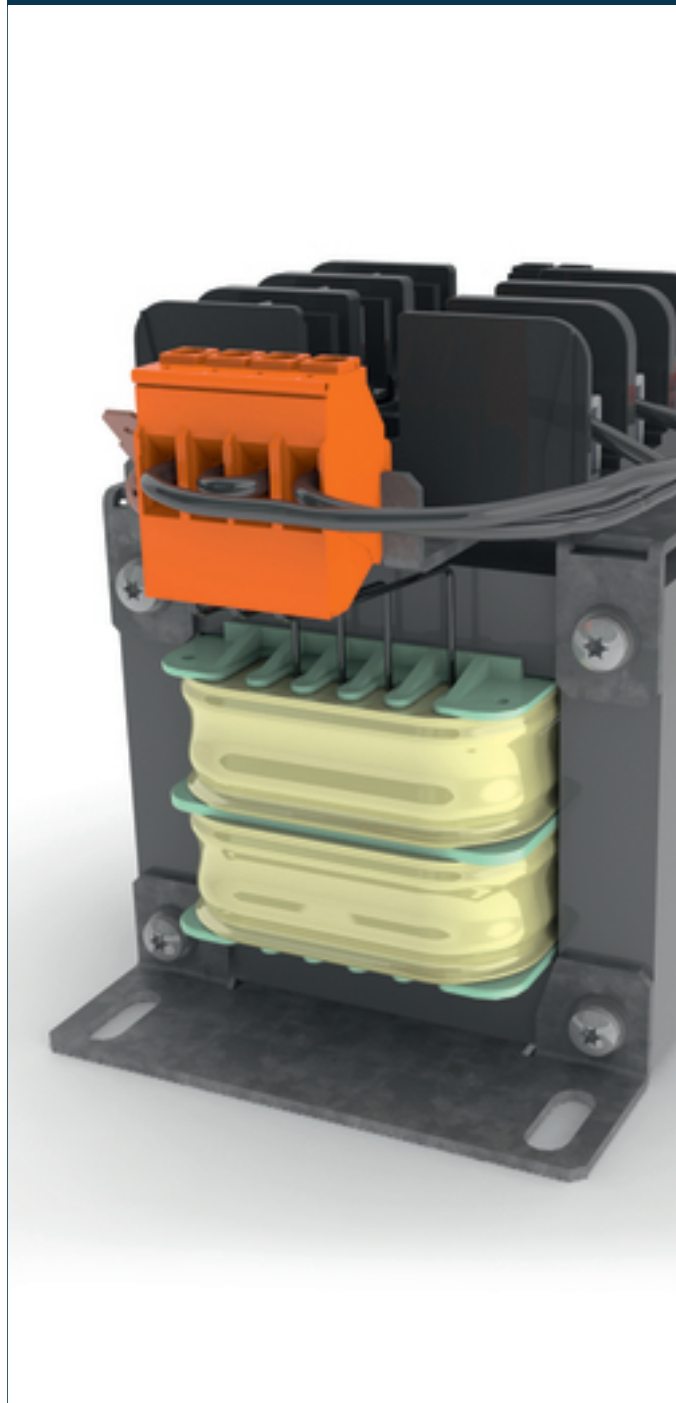


Separating transformer CT-010-048-24-1



Advantages

Fused versions available

Versions with DIN rail for additional components available

100 % finger-safe

Jumpers included for primary voltage selection

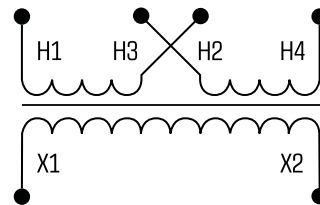
Impregnated for max. protection

Up to 2500 VA

Applications

As an industrial control transformer for adjustment of the voltage and simple electrical isolation.

Sample application



Standards



Separating transformer
to: EN 61558 part 1 with part 2-1, UL 5085-1/-2;2:2, CSA 22.2 No. 66

Approvals



UL 5085-1/-2, CSA 22.2 No.66



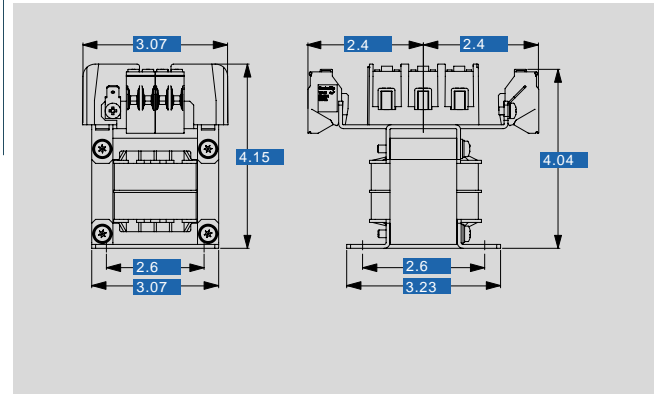
Separating transformer CT-010-048-24-1

Type	CT-010-048-24-1	
Electrical data	Special features	
	Characteristics	Fused version
	Input	
	Rated input voltage	240 x 480 Vac
		2 x 0.25 Aac
	Frequency Range	50 - 60 Hz
	Output	
	Rated output voltage	24 Vac
	Power	100 VA
	No-load voltage (app. x factor)	1.13
	Efficiency	84 %
	Standards	
	Classification	Separating transformer
	Approvals	
	Approvals	cURus
	Environment	
	Ambient temperature	max. 104 °F
Type of cooling	Air natural	
Safety and protection		
Type	Open type	
Insulation class	B, class 130	
Protection index	IP 00	
Safety class (prepared)	I	
Short circuit strength	non-short-circuit proof	
Core	EI 78/36,5	

Type	CT-010-048-24-1
Measures and weights	
Weight	3.31 lbs

30
Mechanical data

Dimensions in inch



Subject to change.