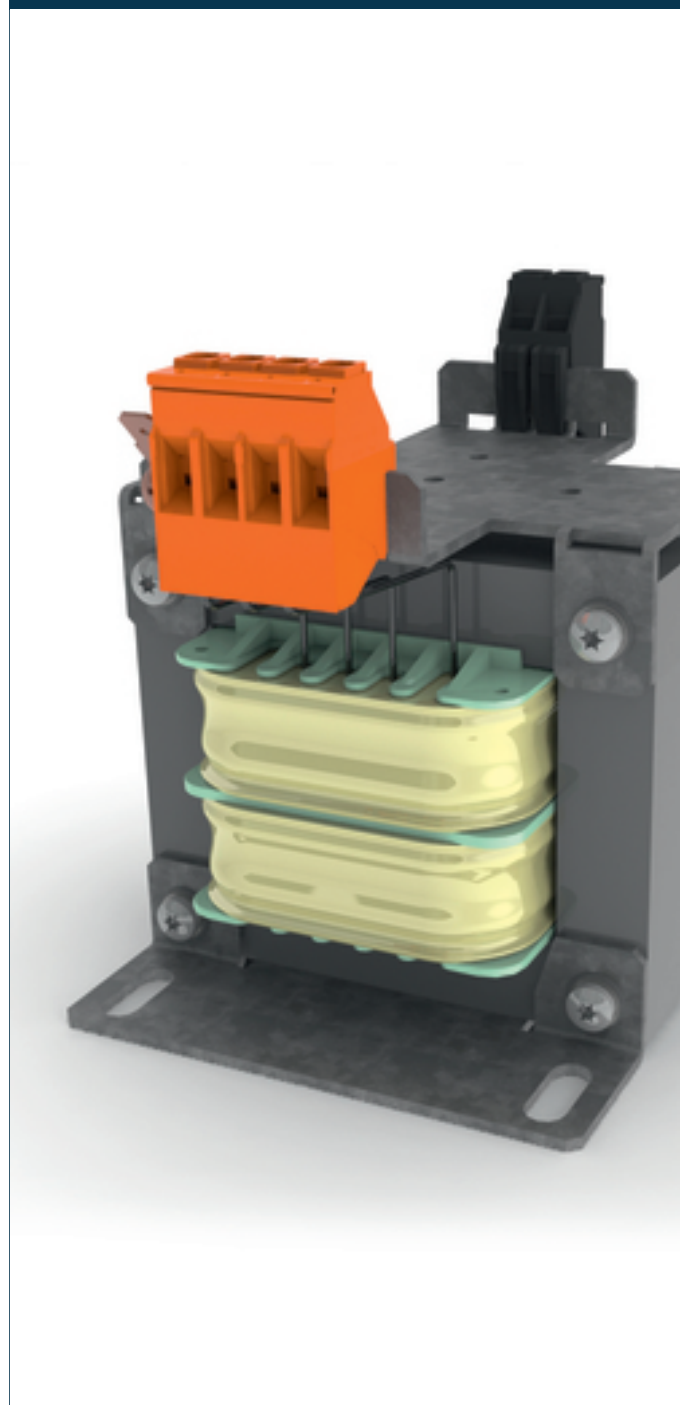


# Separating transformer CT-030-060-12-0



## Advantages

Fused versions available

Versions with DIN rail for additional components available

100 % finger-safe

Jumpers included for primary voltage selection

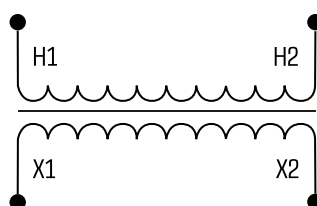
Impregnated for max. protection

Up to 2500 VA

## Applications

As an industrial control transformer for adjustment of the voltage and simple electrical isolation.

## Sample application



## Standards

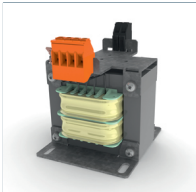


Separating transformer  
to: EN 61558 part 1 with part 2-1, UL 5085-1/-2;2:2, CSA 22.2 No. 66

## Approvals



UL 5085-1/-2, CSA 22.2 No.66



## Separating transformer CT-030-060-12-0

Type		CT-030-060-12-0
Electrical data	Special features	
	Characteristics	-
	Input	
	Rated input voltage	600 Vac
		0.55 Aac
	Frequency Range	50 - 60 Hz
	Output	
	Rated output voltage	120 Vac
	Power	300 VA
	No-load voltage (app. x factor)	1.08
	Efficiency	89 %
	Standards	
	Classification	Separating transformer
	Approvals	
	Approvals	cURus
	Environment	
	Ambient temperature	max. 104 °F
	Type of cooling	Air natural
	Safety and protection	
	Type	Open type
Insulation class	B, class 130	
Protection index	IP 00	
Safety class (prepared)	I	
Short circuit strength	non-short-circuit proof	
Core	EI 120/41,7	

Type		CT-030-060-12-0
Mechanical data	Measures and weights	
	Weight	8.82 lbs

