



Model Name	MS531	MX532	MW533	MH534
------------	-------	-------	-------	-------

- *Dual HDMI inputs for multiplatform digital connectivity
- *3300 ANSI Lumen High Brightness for Stunning Presentations
- *15,000:1 High Native Contrast for Crisp Readability
- *Simple Setup, Intuitive Operation, and Hassle-Free Maintenance
- *Eco-Friendly Low Total Cost of Ownership

Technology

Projection System	DLP
DMD type	DC3

Image

Native Resolution	SVGA, 800 x 600	XGA, 1024 x 768	WXGA, 1280 x 800	1080p, 1920 x 1080
Brightness	3300 ANSI Lumen	3300 ANSI Lumen	3300 ANSI Lumen	3300 ANSI Lumen
Contrast ratio	15000:1	15000:1	15000:1	15000:1
Keystone Correction	ID, Vertical +/- 40 degrees	ID, Vertical +/- 40 degrees	ID, Vertical +/- 40 degrees	ID, Vertical +/- 40 degrees
Aspect Ratio	Native 4:3 (5 aspect ratio selectable)	Native 4:3 (5 aspect ratio selectable)	Native 16:10 (5 aspect ratio selectable)	Native 16:9 (5 aspect ratio selectable)
Light Source	UHP 203W	UHP 203W	UHP 203W	UHP 203W
Light Source life*	4500/6000/10000 hours	4500/6000/10000 hours	4500/6000/10000 hours	4500/6000/10000 hours

Optical

Throw Ratio	1.94-2.32	1.94-2.32	1.55-1.86	1.28-1.56
Projection Offset	Vertical: 106%±2.5% (Full image height)	Vertical: 106%±2.5% (Full image height)	Vertical: 104%±2.5% (Full image height)	Vertical: 107%±2.5% (Full image height)
Zoom Ratio	1.2x	1.2x	1.2x	1.2x
Lens	F=2.46-2.66, f=21.8-25.6	F=2.46-2.66, f=21.8-25.6	F=2.46-2.66, f=21.8-25.6	F=2.42-2.62, f=19.0-22.65
Projection Size	60"~300"	60"~300"	60"~300"	60"~300"

Compatibility

Resolution Support	VGA(640 x 480) to WUXGA_RB(1920 x 1200)*RB = Reduced blanking
Horizontal Frequency	15K-102KHz
Vertical Scan Rate	23-120Hz
HDTV Compatibility	480i, 480p, 576i, 576p, 720p, 1080i, 1080p
Video Compatibility	NTSC, PAL, SECAM
3D Compatibility (Please refer to User Manual for detailed support timing.)	Frame Sequential: Up to 60Hz 720p Frame Packing: Up to 24 Hz 1080p Side by Side: Up to 24Hz 1080p Top Bottom: Up to 60Hz 1080p

Advanced Feature

Security(防盜為主)	Security bar / Kensington Security Slot
----------------	---

Interface

Computer in (D-sub 15pin)	x2 (integrate with component)
HDMI	x2
Monitor out	x 1
Composite Video in (RCA)	x 1
S-Video in	x 1
Audio in (Mini Jack)	x 1
Audio out (Mini Jack)	x 1
Speaker	2W x 1
USB (Type mini B)	x 1
RS232 (DB-9pin)	x 1
IR Receiver	x1 (Front)

General

Power Consumption	260W(Max), 252W(Normal), 211W(Eco), Standby <0.5W
Power Supply	AC100 to 240V, 50 to 60 Hz
Product Dimensions	332.4 x 99 x 214.3 mm
Product Weight	5.24 lbs (2.38 Kg) 5.24 lbs (2.38 Kg) 5.31 lbs (2.41 Kg) 5.33 lbs (2.42 Kg)
Noise Level	32/29 dBA (Normal/Economic mode)

Environmental Notice
Lamp in this product contains mercury.
To dispose of the product or used lamps, consult your local environment authorities for regulations or see www.lamprecycle.org.

On Screen Display Language
Arabic/Bulgarian/ Croatian/ Czech/ Danish/ Dutch/ English/ Finnish/ French/ German/ Greek/ Hindi/ Hungarian/ Italian/ Indonesian/ Japanese/ Korean/ Norwegian/ Polish/ Portuguese/ Romanian/ Russian/ Simplified Chinese/Spanish/ Swedish/ Turkish/ Thai/ Traditional Chinese (28 Languages)

Accessories	Standard	Optional
	Remote Control w Battery (5JJG706.001)	Spare Lamp Kit (5JJG705.001)
	Warranty Card (by region)	3D Glasses
	Power Cord (by region)	Ceiling mount
	VGA cable	Dust Filter
	QSG (4JJG701.001)	

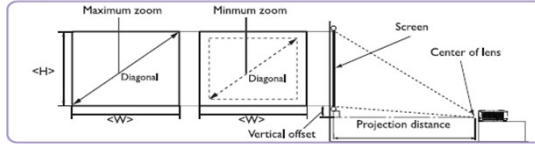
*Lamp life results will vary depending on environmental conditions and usage. Actual product's features and specifications are subject to change without notice.
** Default mode is Presentation. When 3D is on, Picture Modes only shows 3D. When 3D is off, it is not shown in Picture Modes.

MS531/MX532/MW533/MH534 Projector

Distant chart

MS531/MX532

Screen size		Distance from screen(mm)			Vertical offset (mm)		
Diagonal	W	H	Min length (max. zoom)	Average		Max length (min. zoom)	
Inch	mm	(mm)	(mm)	(max. zoom)	Average	(min. zoom)	(mm)
35	889	711	533	1380	1515	1650	32
40	1016	813	610	1577	1731	1886	37
50	1270	1016	762	1971	2164	2357	46
60	1524	1219	914	2365	2597	2829	55
80	2032	1626	1219	3154	3463	3771	73
100	2540	2032	1524	3942	4328	4714	92
120	3048	2438	1829	4730	5194	5657	110
150	3810	3048	2286	5913	6492	7071	137
200	5080	4064	3048	7884	8656	9428	183
220	5588	4470	3353	8673	9522	10371	201
250	6350	5080	3810	9855	10820	11786	229
300	7620	6096	4572	11826	12984	14143	274



MW533

Screen size		Distance from screen(mm)			Vertical offset (mm)		
Diagonal	W	H	Min length (max. zoom)	Average		Max length (min. zoom)	
Inch	mm	(mm)	(mm)	(max. zoom)	Average	(min. zoom)	(mm)
35	889	754	471	1168	1285	1402	18
40	1016	862	538	1335	1469	1603	20
50	1270	1077	673	1669	1836	2003	25
60	1524	1292	808	2003	2203	2404	30
80	2032	1723	1077	2671	2938	3205	41
100	2540	2154	1346	3339	3672	4006	51
120	3048	2585	1615	4006	4407	4808	61
150	3810	3231	2019	5008	5509	6009	76
200	5080	4308	2692	6677	7345	8013	102
220	5588	4739	2962	7345	8079	8814	112
250	6350	5385	3365	8346	9181	10016	127
300	7620	6462	4039	10016	11017	12019	152

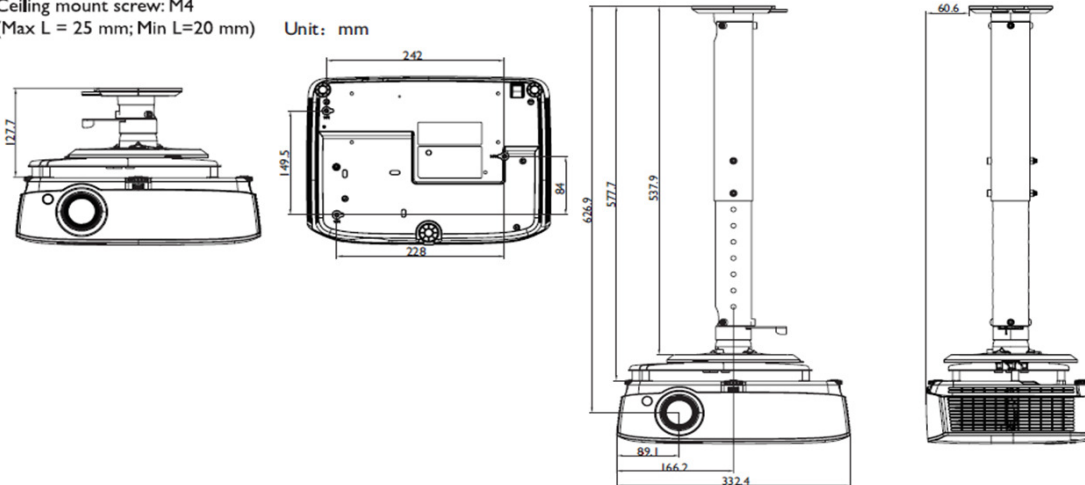
MH534

Screen size		Distance from screen(mm)			Vertical offset (mm)		
Diagonal	W	H	Min length (max. zoom)	Average		Max length (min. zoom)	
Inch	mm	(mm)	(mm)	(max. zoom)	Average	(min. zoom)	(mm)
35	889	775	436	992	1100	1209	30
40	1016	886	498	1133	1257	1381	34
50	1270	1107	623	1417	1572	1727	43
60	1524	1328	747	1700	1886	2072	51
80	2032	1771	996	2267	2515	2763	68
100	2540	2214	1245	2834	3144	3454	86
120	3048	2657	1494	3400	3772	4144	103
150	3810	3321	1868	4250	4715	5180	128
200	5080	4428	2491	5667	6287	6907	171
220	5588	4870	2740	6234	6916	7598	188
250	6350	5535	3113	7084	7859	8634	214
300	7620	6641	3736	8501	9431	10361	257

Ceiling mount Chart

Ceiling mount screw: M4
(Max L = 25 mm; Min L=20 mm)

Unit: mm



Dimension

332.4 mm (W) x 99 mm (H) x 214.3 mm (D)

