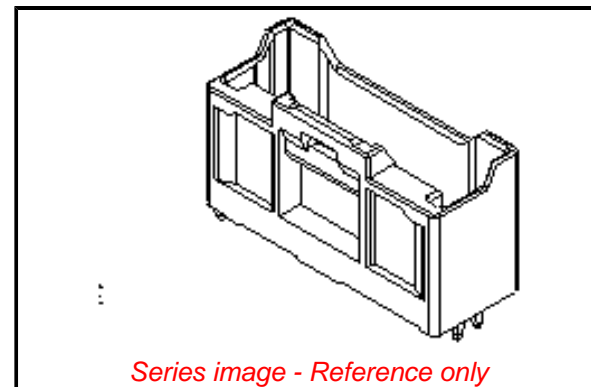


**PLEASE CHECK WWW.MOLEX.COM FOR LATEST PART INFORMATION**

**Part Number:** **5016451020**  
**Status:** **Active**  
**Overview:** iGrid™ Wire-to-Board Dual-Row System  
**Description:** 2.00mm Pitch iGrid™ Wire-to-Board Header, Dual Row, Vertical, with PCB Locator, 10 Circuits

**Documents:**

<a href="#">3D Model</a>	<a href="#">Application Specification 5016460000-A01 (PDF)</a>
<a href="#">Drawing (PDF)</a>	<a href="#">Packaging Specification SPK-501645-001-001 (PDF)</a>
<a href="#">Product Specification PS-501646-001-001 (PDF)</a>	<a href="#">RoHS Certificate of Compliance (PDF)</a>
<a href="#">Application Specification 5016460000-A00 (PDF)</a>	



**Agency Certification**

UL E29179

**General**

Product Family	PCB Headers
Series	501645
Application	Signal, Wire-to-Board
MolexKits	Yes
Overview	iGrid™ Wire-to-Board Dual-Row System
Product Name	iGrid™
UPC	822350200301

**Physical**

Breakaway	No
Circuits (Loaded)	10
Circuits (maximum)	10
Color - Resin	Natural
Durability (mating cycles max)	30
Flammability	94V-0
Glow-Wire Compliant	No
Keying to Mating Part	Yes
Lock to Mating Part	Yes
Material - Metal	Brass
Material - Plating Mating	Tin
Material - Plating Termination	Tin
Material - Resin	Nylon
Net Weight	714.000/mg
Number of Rows	2
Orientation	Vertical
PC Tail Length	3.20mm
PCB Locator	Yes
PCB Retention	None
PCB Thickness - Recommended	1.20mm, 1.60mm
Packaging Type	Tray
Pitch - Mating Interface	2.00mm
Polarized to Mating Part	Yes
Polarized to PCB	Yes
Stackable	No
Surface Mount Compatible (SMC)	No
Temperature Range - Operating	-40°C to +105°C
Termination Interface: Style	Through Hole

**Electrical**

Current - Maximum per Contact	2.0A
Voltage - Maximum	250V AC (RMS)/DC

**EU ELV**

**Not Relevant**

**EU RoHS**

**Compliant**

**REACH SVHC**

Not Contained Per -  
ED/30/2017 (7 July  
2017)

**Halogen-Free**

**Status**

**Not Low-Halogen**

**Need more information on product  
environmental compliance?**

Email [productcompliance@molex.com](mailto:productcompliance@molex.com)  
Please visit the [Contact Us](#) section for any  
non-product compliance questions.

China ROHS	Green Image
ELV	Not Relevant
RoHS Phthalates	Not Contained

**Search Parts in this Series**

501645 Series

**Mates With**

501646 Housing, 501647 Crimp Terminal  
22-26 AWG, 501648 Crimp Terminal 26-28  
AWG

**Material Info**

**Reference - Drawing Numbers**

Application Specification	5016460000-A00, 5016460000-A01
Packaging Specification	SPK-501645-001-001
Product Specification	PS-501646-001-001
Sales Drawing	SD-501645-001

This document was generated on 09/12/2017

**PLEASE CHECK [WWW.MOLEX.COM](http://WWW.MOLEX.COM) FOR LATEST PART INFORMATION**