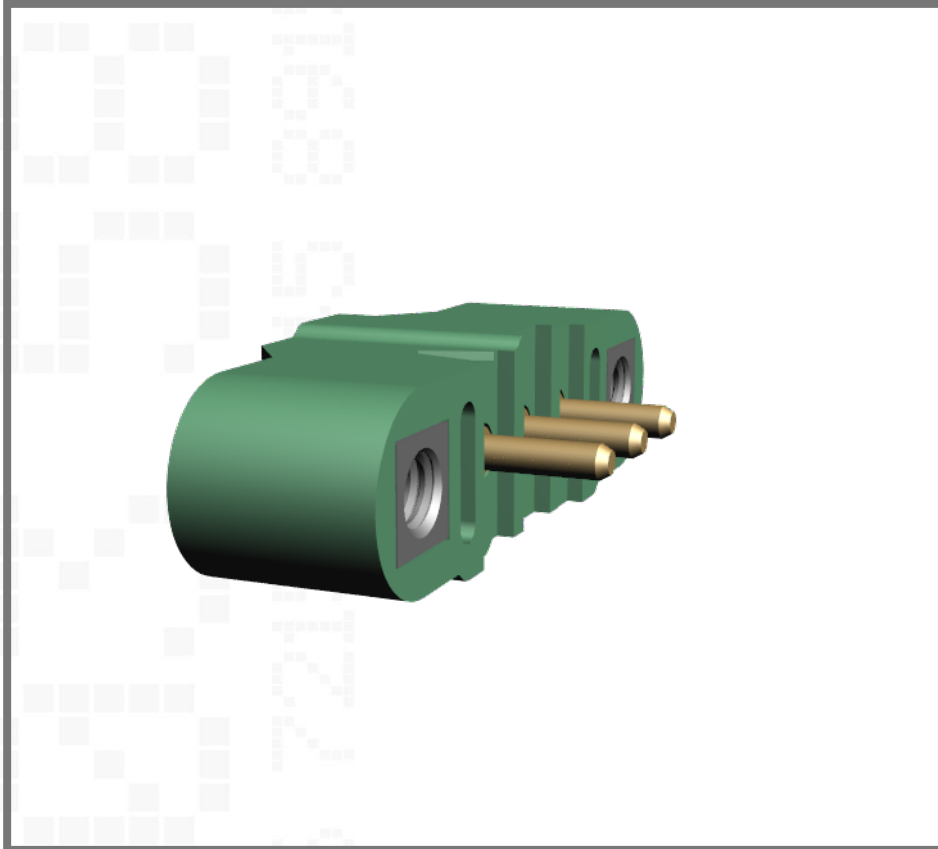


## M300-MV10345M1

M300 Series SIL Male Vertical PC Tail Connector, 3mm Pitch



3.2mm Tail, Jackscrews, Gold finish, 3 contacts

Technical Drawing:

[M300-MV10345M1.pdf](#)

Website

[M300-MV10345M1](#)

Component Specification:

[C048XX](#)

[Request an evaluation sample](#)