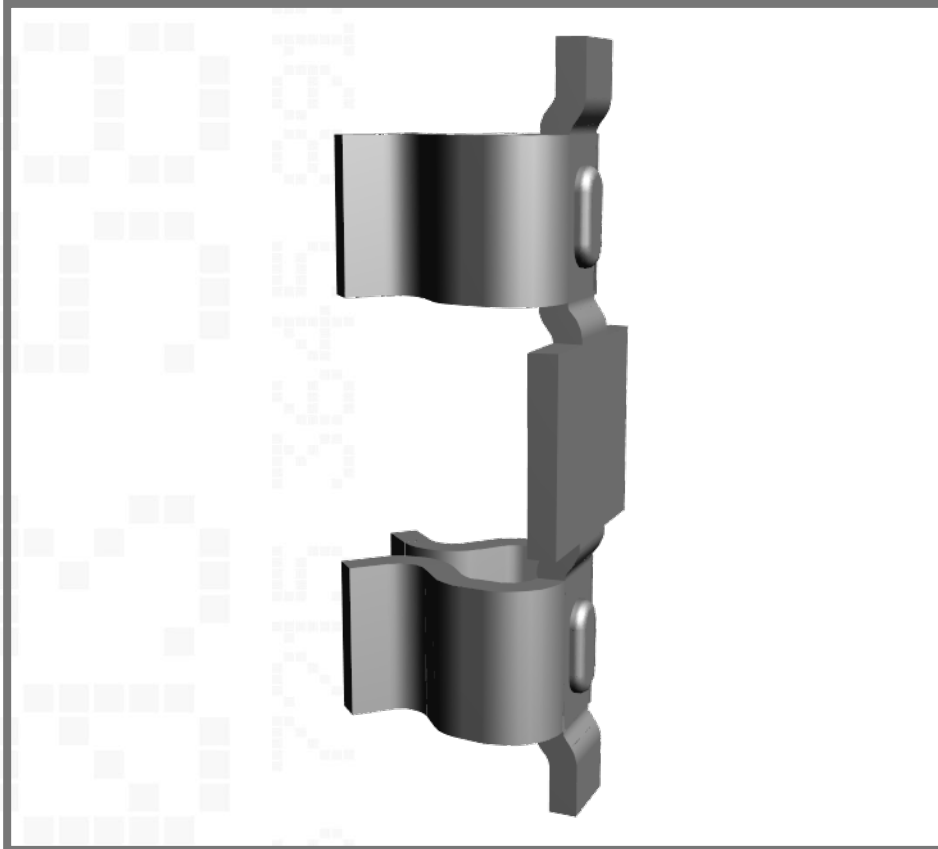


S0951-46R

EZ-Shield Clip, SMT, Micro size



Technical Drawing:

[S0951-46R.pdf](#)

Website:

[S0951-46R](#)

[Request an evaluation sample](#)

Tape & Reeled, for Shield Thickness 0.2mm, Stainless Steel, Tin