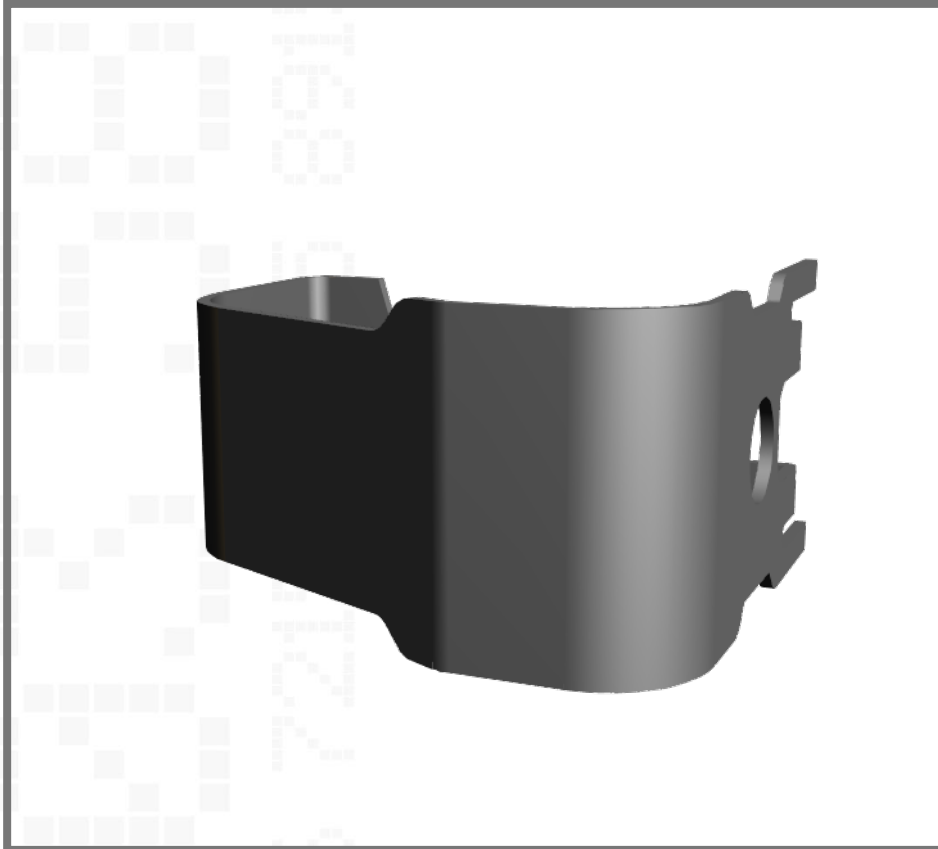


## S7111-42R

EZ-Spring Contact (Grounding Contact, Shield Finger), SMT



Technical Drawing:

[S7111R.pdf](#)

Website:

[S7111-42R](#)

[Request an evaluation sample](#)

Tape & Reeled, 4.5mm high, Titanium Copper, Selective Gold & Tin